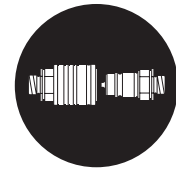


Push-to-Connect Couplings



Multi Couplings



Screw-to-Connect Couplings



## Germany

### Walter Stauffenberg GmbH & Co. KG

Im Ehrenfeld 4  
58791 Werdohl  
Tel.: +49 2392 91 60  
Fax: +49 2392 91 61 60  
E-Mail: [sales@stauff.com](mailto:sales@stauff.com)  
**[www.stauff.com](http://www.stauff.com)**

### Voswinkel GmbH

Neugrünenthal  
58540 Meinerzhagen  
Tel.: +49 2354 70 50  
Fax: +49 2354 70 51 50  
E-Mail: [info@voswinkel.net](mailto:info@voswinkel.net)  
**[www.voswinkel.net](http://www.voswinkel.net)**

STAUFF and VOSWINKEL products and services are globally available through wholly-owned subsidiaries and a tight network of authorised distributors and representatives in all major industrial regions of the world.

**You can find detailed contact information on the last two pages of this product catalogue or at [www.stauff.com](http://www.stauff.com).**

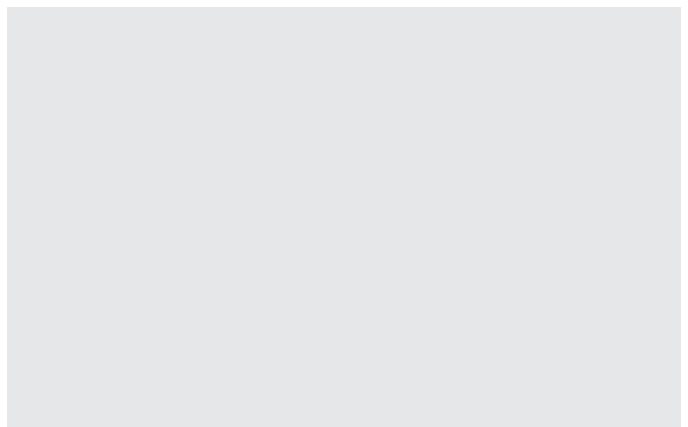
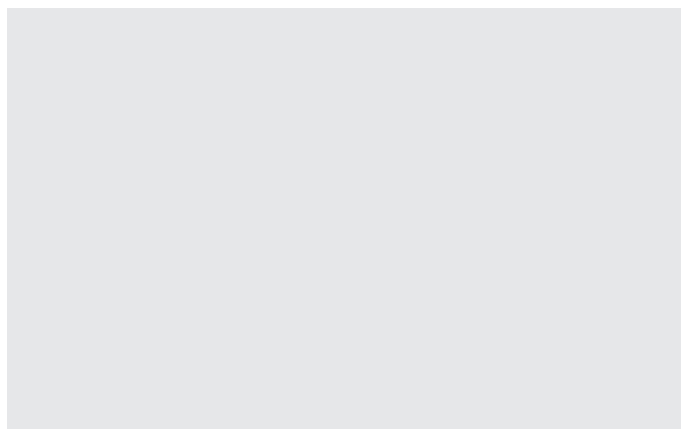
Please note: Unless otherwise stated, all data and figures in this product catalogue are approximate values and are only valid as references, which are not binding (also in respect to any third parties' rights of protection) and thus do not release the customer / user from checking and testing the suitability of the products for the foreseen purposes. Therefore, data and figures can only be used in a limited sense for construction purposes.

The application of the products is beyond the control possibilities of the manufacturer and, therefore, is exclusively subject to the responsibility of the customer / user.

In the event that a liability is nevertheless considered, any compensation will be limited to the value of the goods supplied by the manufacturer and used by the customer / user. As a matter of course, the manufacturer guarantees the perfect quality of all products in accordance with the General Terms and Conditions of Business and Sale.

Subject to modifications due to the ongoing development and improvement of the products.

With the publication of this product catalogue, previous editions are no longer valid.





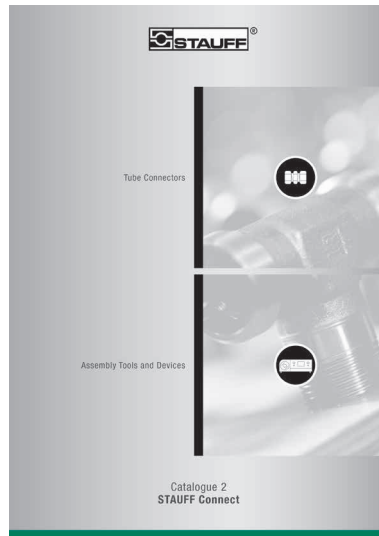
<b>Introduction</b>	4 - 15	
<b>Push-to-Connect Couplings</b> ▪ HP Series ▪ ISO 7241-1, Series A, Push-Pull	16 - 30	<b>HP</b>
<b>Push-to-Connect Couplings</b> ▪ UX Series ▪ ISO 7241-1, Series A, Push-Pull, connect under pressure	31 - 34	<b>UX</b>
<b>Push-to-Connect Couplings</b> ▪ IA Series ▪ ISO 7241-1, Series A	35 - 46	<b>IA</b>
<b>Push-to-Connect Couplings</b> ▪ IA-VA Series ▪ ISO 7241-1, Series A, stainless steel	47 - 58	<b>IA-VA</b>
<b>Push-to-Connect Couplings</b> ▪ ID Series	59 - 66	<b>ID</b>
<b>Push-to-Connect Couplings</b> ▪ HG Series	67 - 70	<b>HG</b>
<b>Push-to-Connect Couplings</b> ▪ IB Series ▪ ISO 7241-1, Series B	71 - 82	<b>IB</b>
<b>Push-to-Connect Couplings</b> ▪ IB-MS Series ▪ ISO 7241-1, Series B, brass	83 - 94	<b>IB-MS</b>
<b>Push-to-Connect Couplings</b> ▪ IB-VA Series ▪ ISO 7241-1, Series B, stainless steel	95 - 106	<b>IB-VA</b>
<b>Push-to-Connect Couplings</b> ▪ FF/FX/FH/FU Series ▪ Flat face coupling acc. to ISO 16028, Serie FU connection under pressure	107 - 124	<b>FF/FU</b>
<b>Push-to-Connect Couplings</b> ▪ FH-VA Series ▪ Flat face coupling acc. to ISO 16028, stainless steel	125 - 130	<b>FH-VA</b>
<b>Push-to-Connect Couplings</b> ▪ FO-VA Series ▪ Flat face coupling, stainless steel	131 - 138	<b>FO-VA</b>
<b>Push-to-Connect Couplings</b> ▪ BP Series ▪ ISO 5676	139 - 142	<b>BP</b>
<b>Push-to-Connect Couplings</b> ▪ HC Series ▪ Flat face coupling	143 - 146	<b>HC</b>
<b>Push-to-Connect Couplings</b> ▪ HD Series ▪ Flat face coupling	147 - 151	<b>HD</b>
<b>Multi Couplings</b> ▪ MK Series ▪ Multicoupling system, flat face	152 - 157	<b>MK</b>
<b>Screw-to-Connect Couplings</b> ▪ HS Series ▪ ISO 14541	158 - 172	<b>HS</b>
<b>Screw-to-Connect Couplings</b> ▪ HS-VA Series ▪ ISO 14541, stainless steel	173 - 182	<b>HS-VA</b>
<b>Screw-to-Connect Couplings</b> ▪ HT Series ▪ wing style	183 - 188	<b>HT</b>
<b>Screw-to-Connect Couplings</b> ▪ HM Series ▪ wing style	189 - 196	<b>HM</b>
<b>Screw-to-Connect Couplings</b> ▪ HV Series ▪ wing style	197 - 206	<b>HV</b>
<b>Screw-to-Connect Couplings</b> ▪ HI Series ▪ ISO 14540	207 - 210	<b>HI</b>
<b>Screw-to-Connect Couplings</b> ▪ HJ Series ▪ ISO 14540	211 - 214	<b>HJ</b>
<b>Screw-to-Connect Couplings</b> ▪ HB Series	215 - 222	<b>HB</b>
<b>Screw-to-Connect Couplings</b> ▪ HH Series	223 - 234	<b>HH</b>
<b>Screw-to-Connect Couplings</b> ▪ HH-VA Series ▪ Stainless steel	235 - 246	<b>HH-VA</b>
<b>Screw-to-Connect Couplings</b> ▪ FT Series ▪ Flat face coupling, connection under pressure	247 - 256	<b>FT</b>
<b>Screw-to-Connect Couplings</b> ▪ RH/RK Series ▪ Flat face, pipeline coupling	257 - 266	<b>RH/RK</b>
<b>Screw-to-Connect Couplings</b> ▪ PS Series ▪ for hammer application	267 - 270	<b>PS</b>
<b>Screw-to-Connect Couplings</b> ▪ HR Series	271 - 281	<b>HR</b>
<b>Plastic Construction Couplings</b> ▪ KN Series	282 - 287	<b>KN</b>
<b>Special Applications</b>	288 - 291	
<b>Spare Parts / Accessories</b>	292 - 297	
<b>Technical Appendix</b>	298 - 301	
<b>Appendix</b> (Structure of the Part Numbers / Product-Specific Abbreviations / Global Contact Directory)	302 - 311	





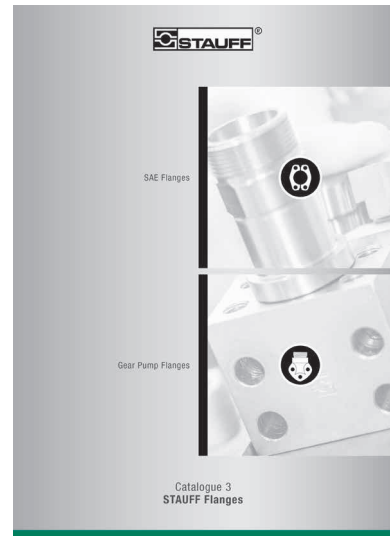
**Catalogue 1  
STAUFF Clamps**

- Block Clamps
- Special Clamps
- Light Series Clamps
- Saddle Clamps
- U-Bolt Clamps
- Metal Clamps
- Construction Series



**Catalogue 2  
STAUFF Connect**

- Tube Connectors
- Assembly Tools and Devices



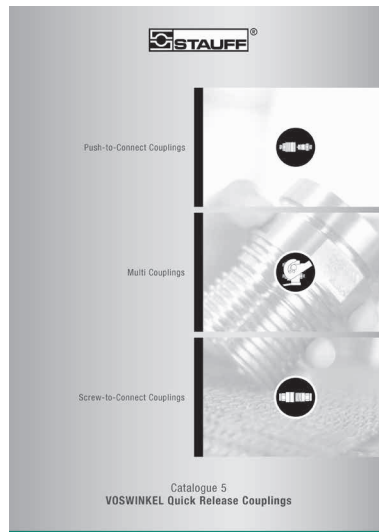
**Catalogue 3  
STAUFF Flanges**

- SAE Flanges
- Gear Pump Flanges



**Catalogue 4  
VOSWINKEL  
Hose Connectors**

- Hose Connectors
- High-Pressure Hose Connectors



**Catalogue 4  
VOSWINKEL  
Quick Release Couplings**

- Push-to-Connect Couplings
- Multi Couplings
- Screw-to-Connect Couplings



**Catalogue 6  
STAUFF Valves**

- Two-Way Ball Valves
- Multi-Way Ball Valves
- Flow Control and Check Valves
- Gauge Isolator Valves





### Catalogue 7 STAUFF Test

- Test Couplings
- Test Adaptors
- Test Hoses and Connectors



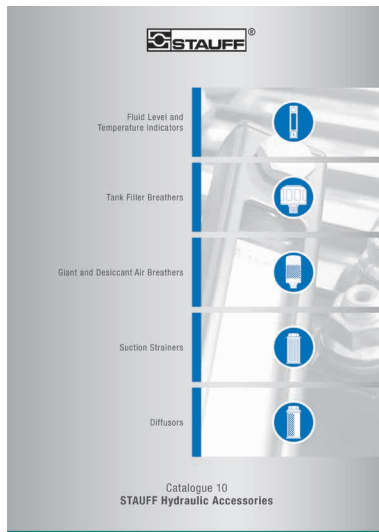
### Catalogue 8 STAUFF Diagtronics

- Pressure Gauges
- Hydraulic Testers
- Oil Analysis Equipment



### Catalogue 9 STAUFF Filtration Technology

- Replacement Filter Elements
- Pressure Filters
- Return-Line Filters
- In-Line Filters
- Spin-On Filters
- Offline and Bypass Filters
- Filtration Systems



### Catalogue 10 STAUFF Hydraulic Accessories

- Fluid Level and Temperature Indicators
- Tank Filler Breathers
- Giant and Desiccant Air Breathers
- Suction Strainers
- Diffusers



For more than 50 years, the companies of STAUFF Group have been developing, manufacturing and distributing pipework equipment and hydraulic components for mechanical and plant engineering and for service and industrial maintenance.

In addition to mobile and industrial hydraulic machinery, typical applications also include commercial and special purpose vehicles, rail transportation and energy technology. Likewise, STAUFF products are used in marine, oil and gas applications and in the process, food and chemical industries.

The overall range currently includes about 40000 standard products as well as numerous special and system solutions according to customer's specifications or based on our in-house development.

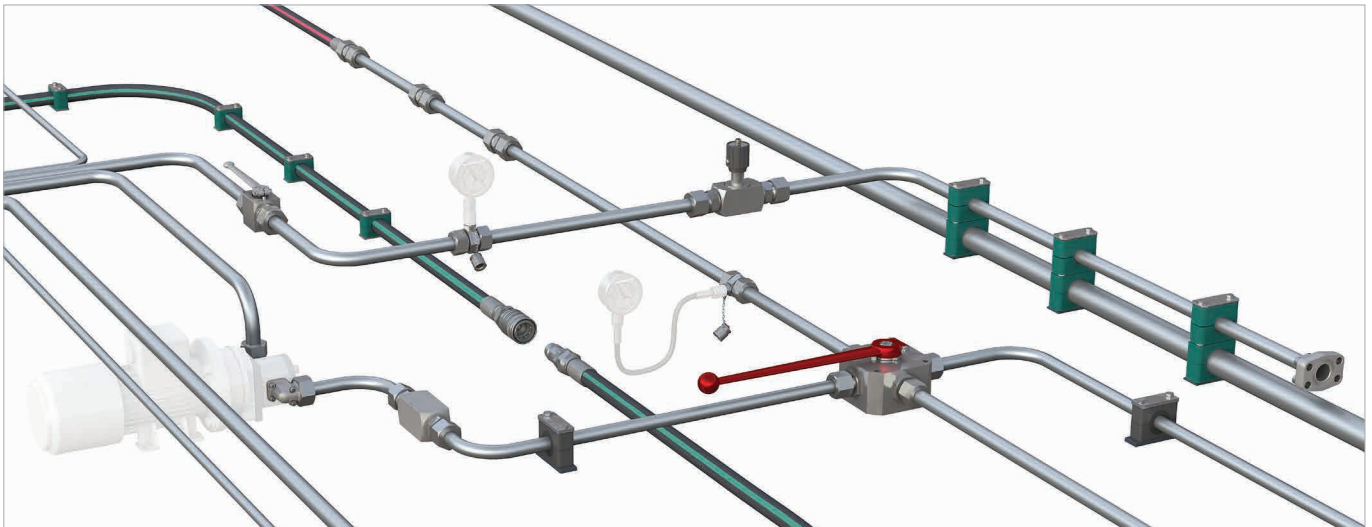
All STAUFF products undergo relevant testing in accordance with international regulations and are governed by the high standards of the in-house quality management system. Furthermore, many items have received certifications and approvals from various international institutes, organisations and authorities who have independently confirmed the quality and performance of the products.

Wholly-owned manufacturing, sales and service facilities in 18 countries and a tight global network of authorised distribution partner ensure high presence and service paired with a maximum of availability.



Quality Management – ISO 9001:2015  
Environmental Management – ISO 14001:2015  
Safety Management OHSAS – 18001:2007

## STAUFF LINE Components



With the seven dedicated **STAUFF Line** product groups

- **STAUFF Clamps**
- **STAUFF Connect**
- **STAUFF Flanges**
- **VOSWINKEL Hose Connectors**
- **VOSWINKEL Quick Release Couplings**
- **STAUFF Valves**
- **STAUFF Test**

from own, in-house development and manufacturing, the companies of the STAUFF Group provide a comprehensive range of components for fastening and connecting pipes, tubes and hoses for mobile and industrial hydraulic applications and many other industries.

The portfolio is completed by components for shutting-off, regulating, throttling and measuring fluid media.

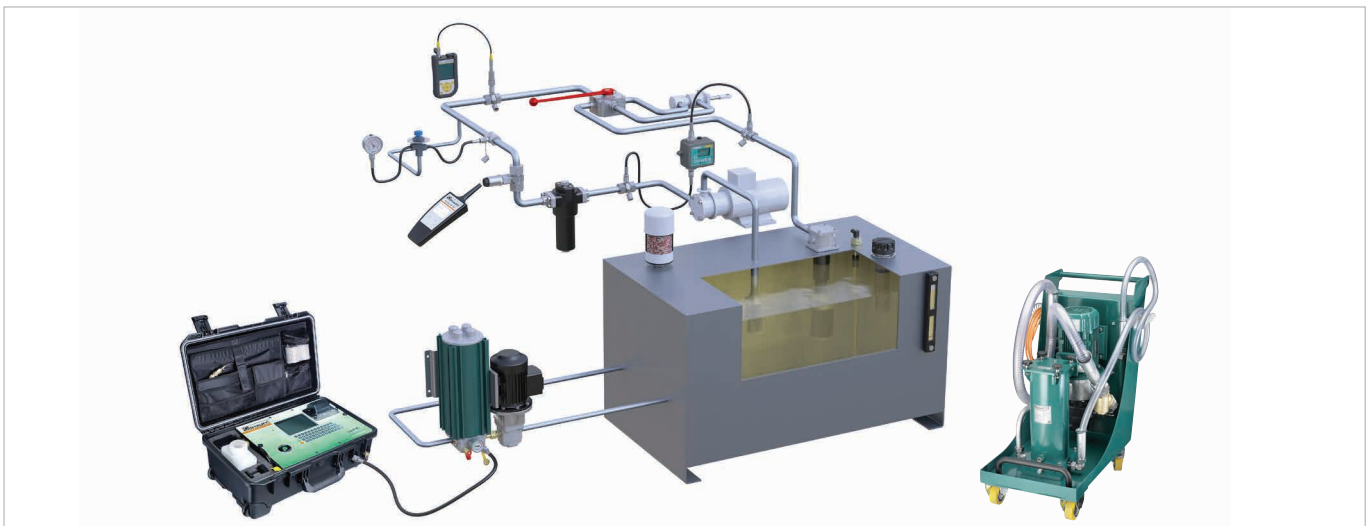
In order to perfectly match each other, STAUFF Line products are designed and offered on a high, uniform level of quality. A large proportion of the range made from steel comes as standard with the premium STAUFF Zinc/Nickel surface coating, which is also optionally available for many of the other components.

This coating offers the most reliable surface protection far beyond the previous market standards – even after transport, handling and assembly of the components – and meets all current legal requirements.

If desired, Original Equipment Manufacturers can be supported with value-added services, from **technical consultation to pre-assembly, assembly and kitting** as well as **logistics services**:

- Support with the **selection of suitable standard components** and ordering options; provision of **customised solutions** according to customer's specifications or based on our in-house development – from prototyping to large scale production
- **Analysis and optimization** of existing and design and developments of new systems aimed at increasing the efficiency and performance of machines and equipment and creating value for customers by reducing the total cost
- **Pre-assembly, assembly and kitting** of individual components to customer-specific system modules
- Individually coordinated **procurement solutions** (e.g. web shop and electronic data interchange) and **supply models** (e.g. from warehousing of customised components to Kanban logistics and just-in-time delivery of pre-fabricated system modules to the assembly lines of the customers) aimed at optimising material flows





Aligned with the needs of the market, the product groups

- **STAUFF Test**
- **STAUFF Diagtronics**
- **STAUFF Filtration Technology**
- **STAUFF Hydraulic Accessories**

include a comprehensive range of analogue and digital measuring equipment and devices, filtration systems and replacement filter elements as well as accessories for the construction of tanks, reservoirs, power packs and gear boxes in mobile and industrial hydraulics.

The offer is completed by relevant value-added services:

- Support with the **selection of suitable components** and ordering options; provision of **customised solutions** according to customer's specifications or based on our in-house development – from prototyping to large scale production
- Analysis of existing hydraulic circuits aimed at filtration systems, tank components and monitoring devices that perfectly match to the specific requirements, and developing integrated concepts to increase the efficiency and performance of machines and equipment
- Individually coordinated **procurement solutions** and **supply models**







## VOSWINKEL Quick Release Couplings

VOSWINKEL couplings have proven their value for many years in practical use in hydraulic systems. The excellent quality of the couplings is the result of continual product improvement in which the experiences of users have been taken into consideration, as well. Our high production standards, combined with our quality management system certified in accordance with EN ISO 9001, assures the quality of our products.

For the technical specifications of the individual couplings please refer to the following pages of the catalog.

### Housing material

Steel according to EN 10277,  
Coating: Zinc-Plating and Thick-Film-Passivation  
(Chrome III)

Couplings Series FH, FU, MK, FT RK/RH and HP10:  
Zinc-Nickel coating

### Seals

NBR (Buna-N®), PTFE  
ISO 3601

### Operating temperature

-20 °C ... +100 °C / -4° F ... +212° F  
with NBR (Buna-N®), PTFE  
-25 °C ... +200 °C / -13° F ... +392° F  
with FKM (Viton®)

Please contact STAUFF/VOSWINKEL to require other combinations of materials.

The operating pressures specified in our catalog relate to the strength of the housing components. Standardized connector shapes may have other rated pressures, which cannot automatically be applied to the particular coupling type.

Any remodeling and modification of the couplings are prohibited. By any maintenance of our couplings it's necessary to use original VOSWINKEL parts. In case of using of no original parts or disassembling of the couplings the warranty will be expire.

The VOSWINKEL hydraulic couplings don't have the 94/77 EG guidance for the using in explosive field. The couplings don't have an own ignition source which could be a reason of inflame.





- Free of hexavalent chrome Cr(VI)
- ELV compliant according to 2000/53/EC (End of Life Vehicles Directive)
- REACH compliant according to 1907/2006/EC (Registration, Evaluation, Authorisation and Restriction of Chemicals)
- RoHS compliant according to 2002/95/EC (Restrictions of the Use of Hazardous Substances)



**Normative references**

EN ISO 8330:2000, ISO 5675, ISO 5676, ISO 7241, ISO 16028, AMD 1



## [www.stauff.com/catalogues](http://www.stauff.com/catalogues)

The STAUFF online catalogue centre at [www.stauff.com/catalogues](http://www.stauff.com/catalogues) provides fast and direct access to digital versions of this as well as other STAUFF product catalogues in all available languages.

### Online Page-Flip Catalogues

- Easy navigation through index or the powerful full text search functionality
- Contents can be shared and forwarded by e-mail, printed or downloaded and saved in PDF file format
- Also suitable for mobile devices

### Download Catalogues

- Download entire product catalogues and save them in PDF file format

### Catalogue Request

- Contact form to request printed copies of the product catalogue as well as digital copies on CD-ROM or USB stick

The fastest way to the online page-flip catalogue:

The links that can be found at the bottom edge of all pages of this product catalogue will lead you directly to the corresponding page in the online page-flip catalogue.

In doing so, contents can be searched, shared and forwarded by e-mail, printed or downloaded and saved in PDF file format.

Scan the QR code next to the direct link with the camera of your mobile device\* and also use the functions in this way.

\* may require a suitable app







[www.stauff.com](http://www.stauff.com)

General information about the companies of STAUFF Group, latest business and product news as well as complete global contact details

[www.stauff.com/cad](http://www.stauff.com/cad)

Immediate access to and free download of 3D models and 2D drawings for a growing number of STAUFF products

[www.voswinkel.net](http://www.voswinkel.net)

General information about VOSWINKEL, latest business and product news as well as complete global contact details

Follow STAUFF and keep yourself updated:

- Facebook**  
[www.facebook.com/stauffgroup](http://www.facebook.com/stauffgroup)
- Twitter**  
[www.twitter.com/stauffgroup](http://www.twitter.com/stauffgroup)
- LinkedIn**  
[www.linkedin.com/company/stauff](http://www.linkedin.com/company/stauff)
- Youtube**  
[www.youtube.com/stauffgroup](http://www.youtube.com/stauffgroup)



## Push-to-Connect Couplings • Overview

Description	Characteristics	Series	BG	DN Zoll Inch	DN metrisch ISO 4397	A <sub>min</sub> mm <sup>2</sup>		
Push-to-Connect Coupling	Acc. to ISO 7241-1, series A Push-pull-type Breakaway function  connects with HP10	HP04	1	1/4"	6,3	24		
		HP08	2	3/8"	10	45		
		HP10	3	1/2"	12,5	76		
		HP12	6	3/4"	19 (20)	130		
		HP20	8	1"	25	256		
		HU12	3	1/2"	12			
Push-to-Connect Coupling	Acc. to ISO 7241-1, series A Push-pull-type Breakaway function	UX10	3	1/2"	12,5	76		
Push-to-Connect Coupling	Acc. to ISO 7241-1, series A	IA06	1	1/4"	6,3			
		IA10	2	3/8"	10			
		IA12	3	1/2"	12,5			
		IA19	6	3/4"	19 (20)			
		IA25	8	1"	25			
		IA31	10	1 1/4"	31			
		IA38	12	1 1/2"	38			
		IA51	14	2"	51			
		Push-to-Connect Coupling	Acc. to ISO 7241-1, series A Stainless Steel	IA06-VA	1	1/4"	6,3	
IA10-VA	2			3/8"	10			
IA12-VA	3			1/2"	12,5			
IA19-VA	6			3/4"	19 (20)			
IA25-VA	8			1"	25			
IA31-VA	10			1 1/4"	31			
IA38-VA	12			1 1/2"	38			
IA51-VA	14			2"	51			
Push-to-Connect Coupling		ID06	1	1/4"	6,3			
		ID10	2	3/8"	10			
		ID19	6	3/4"	19 (20)			
		ID25	8	1"	25			
		HG25	8	1"	25			
Push-to-Connect Coupling	Acc. to ISO 7241-1, series B	IB04	0	1/8"	3			
		IB06	1	1/4"	6,3			
		IB10	2	3/8"	10			
		IB12	3	1/2"	12,5			
		IB19	6	3/4"	19 (20)			
		IB25	8	1"	25			
		IB38	12	1 1/2"	38			
		IB51	14	2"	51			
		Push-to-Connect Coupling	Acc. to ISO 7241-1, series B Brass	IB06-MS	1	1/4"	6,3	
				IB10-MS	2	3/8"	10	
				IB12-MS	3	1/2"	12,5	
IB19-MS	6			3/4"	19 (20)			
IB25-MS	8			1"	25			
IB38-MS	12			1 1/2"	38			
IB51-MS	14			2"	51			
Push-to-Connect Coupling	Acc. to ISO 7241-1, series B Stainless Steel			IB06-VA	1	1/4"	6,3	
		IB10-VA	2	3/8"	10			
		IB12-VA	3	1/2"	12,5			
		IB19-VA	6	3/4"	19 (20)			
		IB25-VA	8	1"	25			
		IB38-VA	12	1 1/2"	38			
		IB51-VA	14	2"	51			
		Flat face coupling	Acc. to ISO 16028  Male tip connect under pressure	FH06	1	1/4"	6,3	29
FF10	2			3/8"	10	63		
FF12	3			1/2"	12,5	143		
FH16	4			5/8"	16	127		
FF19	6			3/4"	19	156		
FH25	8			1"	25	251		
FX38	12			1 1/4"	31,5	350		
FH51	14			2"	51			
FU10	2			3/8"	10	63		
FU12	3			1/2"	12,5	143		
FU19	6			3/4"	19	156		
Flat face coupling	Acc. to ISO 16028 Stainless Steel			FH 10-VA	2	3/8"	10	63
				FH 12-VA	3	1/2"	12,5	143
				FH 19-VA	6	3/4"	19	156
Flat face coupling	Stainless Steel			F006-VA	1	1/4"	6,3	
		F010-VA	2	3/8"	10			
		F012-VA	3	1/2"	12,5			
		F019-VA	6	3/4"	19 (20)			
		F025-VA	8	1"	25			
Flat face coupling	Acc. to ISO 5676 for tractor braking system	BP10	3	1/2"	12,5			
Flat face coupling	Working Pressure 1000 bar / 14504 PSI	HC06	1	1/4"	6,3			
Flat face coupling	Working Pressure 1500 bar / 21756 PSI	HD06	1	1/4"	6,3			



Q <sub>max</sub>	Working Pressure			Bursting Pressure				Leakage			
	l/min	US GPM/min	bar	PSI	Connected		Female Body		Male Tip		
					bar	PSI	bar	PSI	bar	PSI	ml
20	5.28	250	3626	1000	14504	1000	14504	1000	14504	0,8	.0271
40	10.57	250	3626	1000	14504	1000	14504	1000	14504	1,2	.0406
100	21.13	250	3626	1000	14504	1000	14504	1000	14504	1,7	.0575
120	31.70	250	3626	1000	14504	1000	14504	700	10153	8,0	.2705
160	42.27	250	3626	1000	14504	1000	14504	700	10153	12,0	.4058
90	23.77	250	3626	1100	15954	1500	21756	1000	14504	2,7	.0913
100	21.13	250	3626	1000	14504	1000	14504	1000	14504	1,7	.0575
17	4.49	350	5076	1400	20305	1700	24656	1500	21756	0,5	.0169
46	12.15	350	5076	1500	21756	1500	217556	1400	20305	1,9	.0642
90	23.77	250	3626	1200	17404	1400	20305	1000	14504	2,7	.0913
190	50.19	250	3626	1000	14504	1500	21756	900	13053	9,3	.3145
280	73.97	200	2901	1000	14504	1000	14504	1300	18855	16,0	.5410
480	126.80	200	2901	1000	14504	850	12328	1100	15954	30,0	1.0144
757	199.98	190	2756	820	11893	800	11603	800	11603	54,0	1.8260
1000	264.17	160	2321	1000	14504	960	13924	650	9427	120,0	4.0577
17	4.49	450	6527	2900	42061	2900	42061	3200	46412	0,5	.0169
46	12.15	300	4351	1300	18855	1250	18130	1250	18130	1,9	.0642
90	23.77	300	4351	1350	19580	1200	17404	1200	17404	2,7	.0913
190	50.19	250	3626	1100	15954	1000	14504	800	11603	9,3	.3145
280	73.97	200	2901	850	12328	650	9427	600	8702	19,0	.6425
480	126.80	100	1450	400	5801	400	5801	400	5801	30,0	1.0144
700	184.92	80	1160	320	4641	320	4641	320	4641	54,0	1.8260
1000	264.17	60	870	250	3626	250	3626	250	3626	120,0	4.0577
24	6.34	400	5801	1700	24656	1700	24656	1600	23206	1	.0338
46	12.15	350	5076	1500	21756	1700	24656	1500	21756	2,4	.0812
190	50.19	250	3626	1100	15954	1200	17404	1000	14504	8,6	.2908
250	66.04	250	3626	1000	14504	1100	15954	1200	17404	13,0	.4396
210	55.48	270	3916	1100	15954	1200	17404	1200	17404	13,0	.4396
9	2.38	500	7252	2700	39160	2030	29443	2400	34809	0,5	.0169
24	6.34	250	3626	1000	14504	1800	261067	1100	15954	1	.0338
46	12.15	250	3626	1300	18855	1400	20305	1400	20305	2,4	.0812
90	23.77	250	3626	1100	15954	1400	20305	1100	15954	3,9	.1319
220	58.12	250	3626	1200	17404	1300	18855	1000	14504	11,0	.3720
260	68.68	250	3626	1000	14504	1100	15954	1000	14504	19,0	.6425
757	199.98	200	2901	800	11603	800	11603	800	11603	95,0	3.2123
1000	264.17	100	1450	400	5801	400	5801	400	5801	170,0	5.7484
24	6.34	200	2901	1200	17404	800	11603	800	11603	1,0	.0338
46	12.15	200	2901	950	13779	850	12328	800	11603	2,4	.0812
90	23.77	180	2611	1000	14504	900	13053	720	10443	3,9	.1319
220	58.12	130	1885	800	11603	650	9427	550	7977	11,0	.3720
260	68.68	130	1885	600	8702	700	10153	550	7977	19,0	.6425
757	199.98	60	870	250	3626	250	3626	250	3626	95,0	3.2123
1000	264.17	50	725	200	2901	200	2908	200	2901	170	5.7484
24	6.34	350	5076	1600	23206	1500	21756	1700	24656	1,0	.0338
46	12.15	300	4351	2100	30458	1100	15954	1100	15954	2,4	.0812
90	23.77	300	4351	1500	21756	1400	20305	1500	21756	3,9	.1319
220	58.12	220	3191	1000	14504	900	13053	1000	14504	11,0	.3720
260	68.68	200	2901	850	12328	650	9427	600	8702	19,0	.6425
757	199.98	80	1160	250	3626	250	3626	250	3626	95,0	3.2123
1000	264.17	60	870	200	2901	200	2901	200	2901	170	5.7484
40	10.57	400	5801	1700	24656	1220	17695	1500	21756	0,01	.0003
80	21.13	350	5076	1500	21756	1050	15229	1100	15954	0,015	.0005
120	31.70	350	5076	1200	17404	1000	14504	1050	15229	0,02	.0007
140	36.98	350	5076	1200	17404	1100	15954	1100	15954	0,02	.0007
180	47.55	350	5076	1450	21030	1050	15229	1050	15229	0,032	.0011
260	68.68	260	3771	800	11603	800	11603	800	11603	0,03	.0010
600	158.50	300	4351	1000	14504	1000	14504	1000	14504		
1000	264.17	250	3626	1000	14504	1000	14504	1000	14504	0,1	.0034
80	21.13	350	5076	1700	24656		.00	1500	21756	0,015	.0005
120	31.70	350	5076	1500	21756		.00	1400	20305	0,02	.0007
180	47.55	350	5076	1600	23206		.00	1600	23206	0,032	.0011
80	21.13	250	3626	1300	18855	750	10878	1000	14504	0,015	.0005
120	31.70	250	3626	1300	18855	750	10878	1000	14504	0,02	.0007
180	47.55	250	3626	1300	18855	750	10878	1000	14504	0,032	.0011
20	5.28	350	5076	2150	31183	1700	24656	1970	28572	0,01	.0003
45	11.89	350	5076	2000	29008	1300	18855	1400	20305	0,02	.0007
60	15.85	350	5076	2000	29008	1300	18855	1100	15954	0,03	.0010
150	39.62	350	5076	1700	24656	1280	18565	1100	15954	0,06	.0020
240	63.40	350	5076	1450	21030	1150	16679	1000	14504	0,1	.0034
70	18.49	150	2175	315	4569	75	1088	150	2175	0,05	.0017
6	1.58	1000	14504	2500	36259	2500	36259	2500	36259	0,008	.0003
6	1.58	1500	21756	3500	50763	3500	50763	3500	50763	0,008	.0003



## Screw-to-Connect Couplings • Overview

Description	Characteristics	Series	BG	DN Zoll Inch	DN metrisch ISO 4397	A <sub>min</sub> mm <sup>2</sup>
Screw-to-Connect Coupling	Acc. to ISO 14541 (BG 1-6)	HS04	1	1/4"	6,3	24
		HS08	2	3/8"	10	45
		HS10	3	1/2"	12,5	76
		HS12	6	3/4"	19	130
		HS20	8	1"	25	256
		HS25	12	1 1/2"	38	660
Screw-to-Connect Coupling	Acc. to ISO 14541 Stainless Steel	HS06-VA	1	1/4"	6,3	
		HS10-VA	2	3/8"	10	
		HS12-VA	3	1/2"	12,5	
		HS19-VA	6	3/4"	19 (20)	
		HS25-VA	8	1"	25	
		HS38-VA	12	1 1/2"	38	
Screw-to-Connect Coupling	wing style	HT19	6	3/4"	19 (20)	
		HT25	8	1"	25	
Screw-to-Connect Coupling	wing style Brass and Steel	HM19	6	3/4"	19 (20)	
		HM25	8	1"	25	
		HM31	10	1 1/4"	31	
		HM38	12	1 1/2"	38	
Screw-to-Connect Coupling	wing style	HV19	6	3/4"	19 (20)	
		HV25	8	1"	25	
		HV31	10	1 1/4"	31	
		HV38	12	1 1/2"	38	
		HV51	14	2"	51	
Screw-to-Connect Coupling	Acc. to ISO 14540 Working Pressure 700 bar / 10153 PSI	HI06	1	1/4"	6,3	
		HI10	2	3/8"	10	
Screw-to-Connect Coupling	Acc. to ISO 14540 Working Pressure 700 bar / 10153 PSI	HJ10	2	3/8"	10	
Screw-to-Connect Coupling		HB10	2	3/8"	10	
		HB12	3	1/2"	12,5	
		HB19	6	3/4"	19 (20)	
		HB25	8	1"	25	
Screw-to-Connect Coupling		HH10	2	3/8"	10	
		HH12	3	1/2"	12,5	
		HH19	6	3/4"	19 (20)	
		HH25	8	1"	25	
		HH31	10	1 1/4"	31	
		HH38	12	1 1/2"	38	
		HH51	14	2"	51	
Screw-to-Connect Coupling	Stainless Steel	HH06-VA	1	1/4"	6,3	
		HH10-VA	2	3/8"	10	
		HH12-VA	3	1/2"	12,5	
		HH19-VA	6	3/4"	19 (20)	
		HH25-VA	8	1"	25	
		HH31-VA	10	1 1/4"	31	
		HH38-VA	12	1 1/2"	38	
		HH51-VA	14	2"	51	
Flat face Coupling	Male Part Connect under Pressure	FT 10	2	3/8"	10	63
		FT 12	3	1/2"	12,5	143
		FT16	4	5/8"	16	139
		FT19	6	3/4"	19	156
		FT25	8	1"	25	251
		FT32	10	1 1/4"	31,5	506
		Flat face Coupling	Pipeline Coupling	RH08	2	3/8"
RH12	3			1/2"	12,5	105
RH16	4			5/8"	16	160
RK20	6			3/4"	19	285
RH25	8			1"	25	620
PS 32	10			1 1/4"	31,5	467
Screw-to-Connect Coupling		HR10	2	3/8"	10	
		HR12	3	1/2"	12,5	
		HR19	6	3/4"	19 (20)	
		HR25	8	1"	25	
		HR31	10	1 1/4"	31	
		HR38	12	1 1/2"	38	

\* short term possible



Q <sub>max</sub>	Working Pressure				Bursting Pressure				Leakage		
	l/min	US GPM/min	bar	PSI	Connected		Female Body		Male Tip		
					bar	PSI	bar	PSI	bar	PSI	ml
20	5.28	450	6527	1800	26107	1400	20305	1400	20305	0,8	.0271
40	10.57	450	6527	1600	23206	1750	25382	1550	22481	1,3	.0440
80	21.13	400	5801	1400	20305	1200	17404	1200	17404	3,1	.1048
120	31.70	400	5801	1500	21756	1600	23206	1200	17404	5,6	.1894
160	42.27	300	4351	1180	17114	1500	21756	1100	15954	12,3	.4159
220	58.12	300	4351	1800	26107	1600	23206	1200	17404	52,3	1.7685
17	4.49	300	4351	1200	17404	1200	17404	1200	17404	0,8	.0271
30	7.92	250	3626	1500	21756	1400	20305	1000	14504	1,9	.0642
80	21.13	250	3626	1800	26107	1800	26107	1100	15954	2,7	.0913
106	28.00	150	2175	1700	24657	700	10153	600	8702	9,3	.3145
189	49.93	150	2175	1200	17404	600	8702	600	8702	16	.5410
350	92.46	100	1450	400	5801	400	5801	400	5801	30	1.0144
240	63.40	350	5076	1300	18855	1000	14504	1000	14504	10	.3381
320	84.53	300	4351	1000	14504	1000	14504	1000	14504	15	.5072
220	58.12	210	3046	1160	16824	460	6672	580	8412	0,15	.0051
260	68.68	210	3046	880	12763	370	5366	720	10443	0,4	.0135
400	105.67	190	2756	520	7542	430	6237	570	8267	0,65	.0220
600	158.50	170	2466	500	7252	430	6237	350	5076	0,85	.0287
190	50.19	350	5076	1500	21756	1400	20305	750	10878	8	.2705
280	73.97	350	5076	1600	23206	1500	21756	900	13053	16	.5410
480	126.80	350	5076	1300	18855	1600	23206	850	12328	31	1.0482
700	184.92	350	5076	1200	17404	900	13053	600	8702	64	2.1641
1000	264.17	350	5076	1100	15954	600	8702	500	7252	141	4.7678
10	2.64	700	10153	2200	31908	2000	29008	2700	39160	0,5	.0169
20	5.28	1000	14504	3300	47862	3400	49313	2800	40611	1,7	.0575
20	5.28	700	10153	2200	31908	2000	29008	1500	21756	0,6	.0203
46	12.15	300	4351	1800	26107	1800	26107	1200	17404	2	.0676
90	23.77	300	4351	1600	23206	1600	23206	1000	14504	3	.1014
220	58.12	250	3626	1300	18855	100	1450	1000	14504	10	.3381
260	68.68	230	3336	700	10153	900	13053	600	8702	15	.5072
18	4.75	650	9427	3000	43511	3000	43511	3000	43511	1,9	.0642
23	6.08	600	8702	2200	31908	2700	39160	2500	36259	2,7	.0913
45	11.89	500	7252	2100	30458	2600	37710	2400	34809	9,3	.3145
106	28.00	460	6672	2600	37710	2600	37710	2300	33359	16	.5410
189	49.93	360	5221	1500	21756	1500	21756	1500	21756	30	1.0144
300	79.25	360	5221	1500	21756	1500	21756	1200	17404	54	1.8260
757	199.98	210	3046	1300	18855	1300	18855	1300	18855	120	4.0577
6	1.58	900	13053	3700	53664	3800	55114	3700	53664	0,5	.0169
18	4.75	650	9427	2600	37710	2000	29008	2300	33359	1,9	.0642
23	6.08	600	8702	2500	36259	2700	39160	2100	30458	2,7	.0913
45	11.89	500	7252	2400	34809	1700	24656	2100	30458	9,3	.3145
106	28.00	460	6672	1500	21756	1900	27557	1600	23206	16	.5410
189	49.93	360	5221	1000	14504	1000	14504	1000	14504	30	1.0144
300	79.25	360	5221	900	13053	900	13053	900	13053	54	1.8260
757	199.98	210	3046	500	7252	500	7252	500	7252	120	4.0577
80	21.13	550	7977	1400	20305	1100	15954	1400	20305	0,04	.0014
120	31.70	550	7977	1400	20305	1000	14504	1400	20305	0,025	.0008
140	36.98	550	7977	1400	20305	1000	14504	1600	23206		
180	47.55	500	7252	1400	20305	1050	15229	1400	20305	0,018	.0006
260	68.68	470	6817	1300	18855	1000	14504	1300	18855	0,06	.0020
600	158.50	400	5801	1100	15954	1100	15954	1100	15954		
40	10.57	420	6092	1600	23206	1600	23206	1600	23206		
70	18.49	420	6092	1260	18275	1260	18275	1260	18275		
105	27.77	420	6092	1260	18275	1260	18275	1260	18275		
120	31.70	350	5076	1000	14504	1000	14504	1200	17404		
500	132.09	420	6092	1150	16679	1100	15954	900	13053	0,08	.0027
660 (1000)*	174.35	380	5511	1520	22046	1520	22046	1520	22046	27	.9130
50	13.21	610	8847	2450	35534	2450	35534	2600	37710	2	.0676
85	22.45	470	6817	1900	27557	2100	30458	1650	23931	3	.1014
120	31.70	310	4496	1250	18130	1500	21756	1250	18130	10	.3381
280	73.97	300	4351	1300	18855	1600	23206	1100	15954	16	.5410
460	121.52	300	4351	1300	18855	1300	18855	1200	17404	30	1.0144
700	184.92	270	3916	1100	15954	1500	21756	950	13779	54	1.8260







Series HP ▪ Characteristics	18 - 19	Series HP 12 ▪ BG 6 ▪ Nominal Size 19	27
Series HP 04 ▪ BG 1 ▪ Nominal Size 6,3	20	Series HP 20 ▪ BG 8 ▪ Nominal Size 25	28
Series HP 08 ▪ BG 2 ▪ Nominal Size 10	21	Series HU 12 ▪ BG 3 ▪ Nominal Size 12,5 Connect under Pressure	29
Series HP 08A ▪ BG 2 ▪ Nominal Size 10	22	Series HP and Series HU ▪ Dust Protection	30
Series HP 10 ▪ BG 3 ▪ Nominal Size 12,5	23 - 24		
Series ZP 10 ▪ BG 3 ▪ Nominal Size 12,5	25		
Series AP 10 ▪ BG 3 ▪ Nominal Size 12,5	26		





### Series HP ▪ Characteristics

HP

**Description**

The double-acting sliding sleeve is fixed in the locked position by means of a pre-stressed spring. For the purpose of uncoupling it is able to slide in both axial directions. The two halves of the plug-type coupling are locked together securely by means of precision snap-in balls.

The sliding sleeve can be installed in a bulkhead with retaining rings. In this way, the carrier fulfils the function of a breakaway coupling. Should a probe be torn away from a carrier installed in this way, the system is decoupled and the valves close automatically, thus preventing damage to the hose and possible loss of oil.

In addition to the standard HP10 (size 12,5) male tip we offer the HU12 (size 12,5) male tip what can be connected under pressure with the standard female side HP10 (size 12,5).

Dimensions acc. to ISO 7241-1 A and ISO 5675 (for selected sizes).

**Working Pressure**

250 bar / 25 MPa / 3625 PSI

The indicated pressure ratings only apply to the coupling itself and depend on the connection type.

**Working Temperature**

-25° C ... +100° C / -13° F ... +212° F

**Material**

Steel

**Surface Finishing**

Zinc-Plating and Thick-Film-Passivation (Chrome III)

**The common size 12,5 is now available in zinc-nickel!**

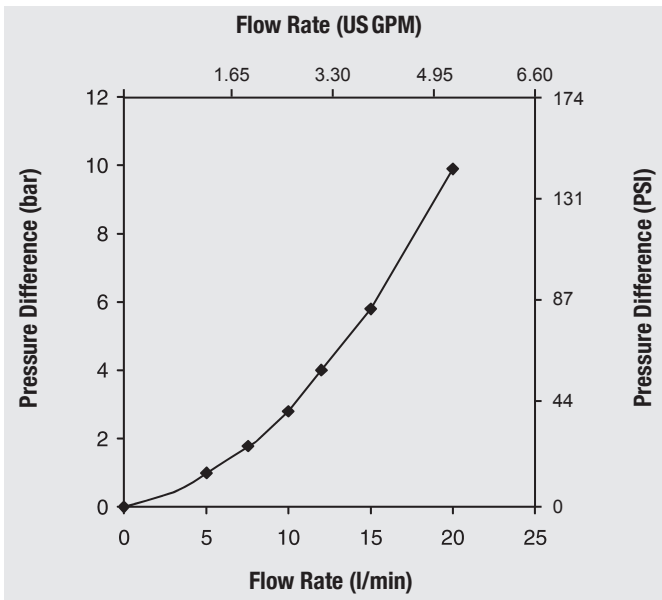
**Standard Seal Material(s)**

NBR (Buna-N®), PTFE

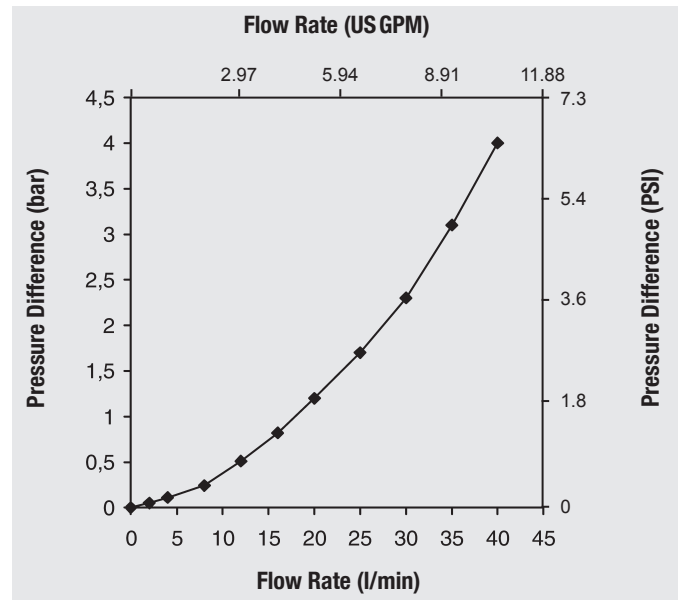
Alternative seal materials are available on request.



### Series HP 04 ▪ BG 1 ▪ Nominal Size 6,3



### Series HP 08 ▪ BG 2 ▪ Nominal Size 10

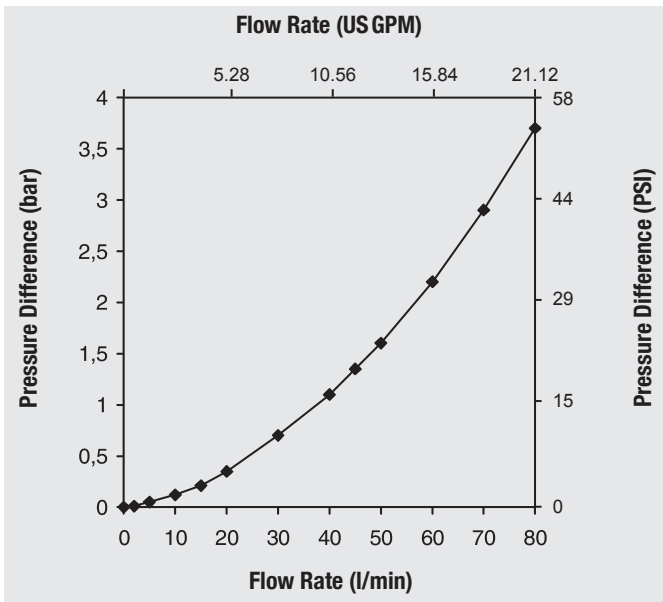


Please note: Unless otherwise stated, all flow characteristics have been determined with hydraulic oil with a kinematic viscosity of 36 mm²/s (36 cSt) and are only valid for components with non-reducing connections.

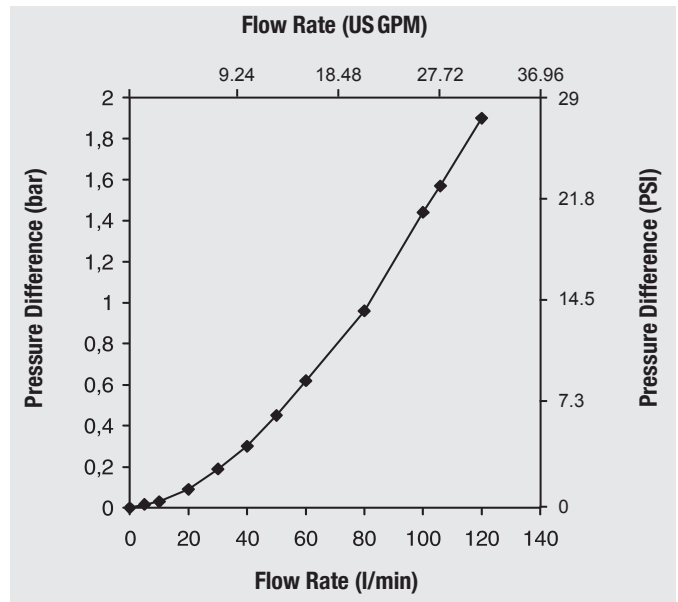




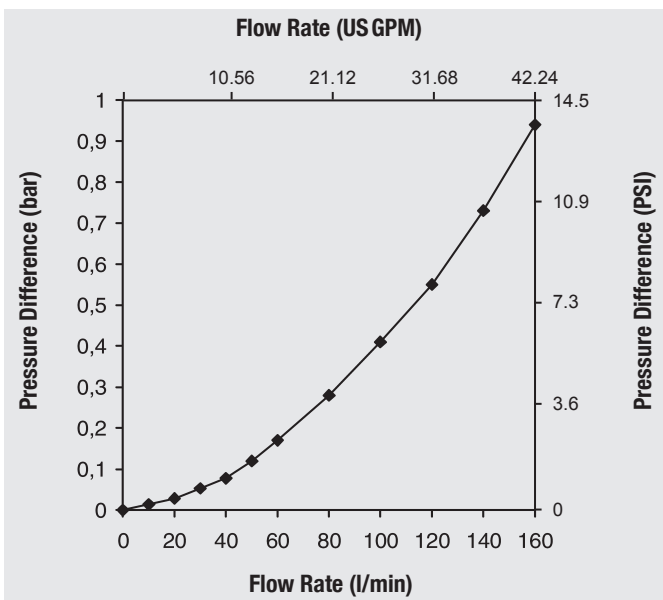
**Series HP 10 • BG 3 • Nominal Size 12,5**



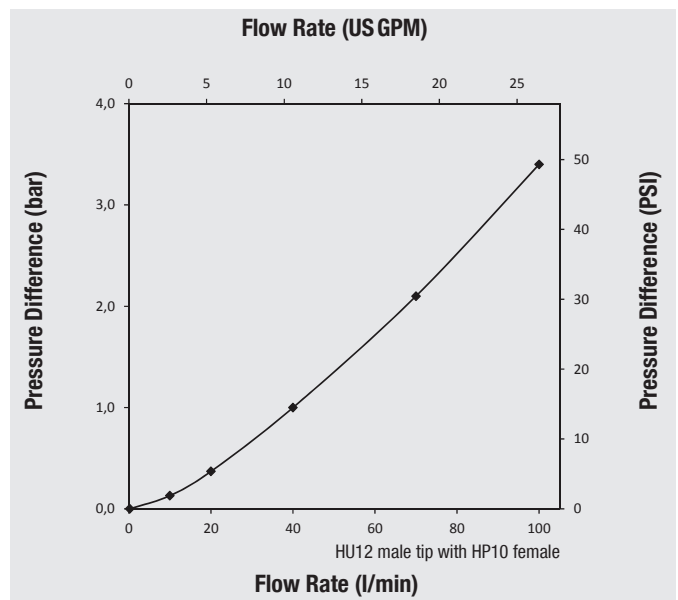
**Series HP 12 • BG 6 • Nominal Size 19**



**Series HP 20 • BG 8 • Nominal Size 25**



**Series HU 12 • BG 3 • Nominal Size 12,5 • UDK\***



\* Connect under pressure



Series HP 04 ▪ BG 1 ▪ Nominal Size 6,3

HP

**Working Pressure**

250 bar / 25 MPa / 3626 PSI

**Burst Pressure**

1000 bar / 100 MPa / 14500 PSI (Female Body)

1000 bar / 100 MPa / 14500 PSI (Male Tip)

1000 bar / 100 MPa / 14500 PSI (Connected)

The indicated pressure ratings only apply to the coupling itself and depend on the connection type.

**Material**

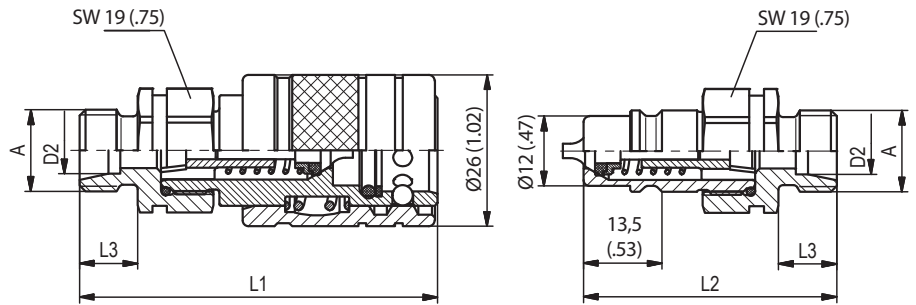
Steel

**Surface Finishing**

Zinc-Plating and Thick-Film-Passivation (Chrome III)

**Standard Seal Material(s)**

NBR (Buna-N®), PTFE



SW: Width across flats. All dimensions in mm (inch).

Port A	Dimensions ( <sup>mm</sup> / <sub>in</sub> )					Female Body	Weight	Male Tip	Weight
	ØD2	L1	L2	L3	L4	VOSWINKEL Part Numbers STAUFF Ordering Codes	( <sup>g</sup> / <sub>oz</sub> ) ca. per pc.	VOSWINKEL Part Numbers STAUFF Ordering Codes	( <sup>g</sup> / <sub>oz</sub> ) ca. per pc.
<b>Female Thread according to DIN 3852-2-A - ANSI B 1.20.3</b>									
	G1/4"	64	44	13		HP04-1-IGF04	146	HP04-2-IGF04	52
		2.52	1.73		.51	QRC-HPA-06-F-G04-BT-W66	321.20	QRC-HPA-06-M-G04-B-W66	114.40
	NPTF 1/4" -18	64	44			HP04-1-INF04	150	HP04-2-INF04	52
		2.52	1.73			QRC-HPA-06-F-NF04-BT-W66	321.20	QRC-HPA-06-M-NF04-B-W66	114.40
<b>Male Thread with 24° Conical Bore - Shape W according to DIN 3861</b>									
	M14x1,5	8L	62	42	10	HP04-1-L0814	134	HP04-2-L0814	40
		2.44	1.65	.39		QRC-HPA-06-F-08L-BT-W66	294.80	QRC-HPA-06-M-08L-B-W66	88.00
<b>Male Thread with 24° Conical Bore - Bulkhead - Shape W according to DIN 3861</b>									
	M14x1,5	8L	77	59	25	HP04-1-N0814	154	HP04-2-N0814	62
		3.01	2.30	.98		QRC-HPA-06-F-08LB-BT-W66	338.80	QRC-HPA-06-M-08LB-B-W66	136.40



**Working Pressure**

250 bar / 25 MPa / 3626 PSI

**Burst Pressure**

1000 bar / 100 MPa / 14500 PSI (Female Body)

1000 bar / 100 MPa / 14500 PSI (Male Tip)

1000 bar / 100 MPa / 14500 PSI (Connected)

The indicated pressure ratings only apply to the coupling itself and depend on the connection type.

**Material**

Steel

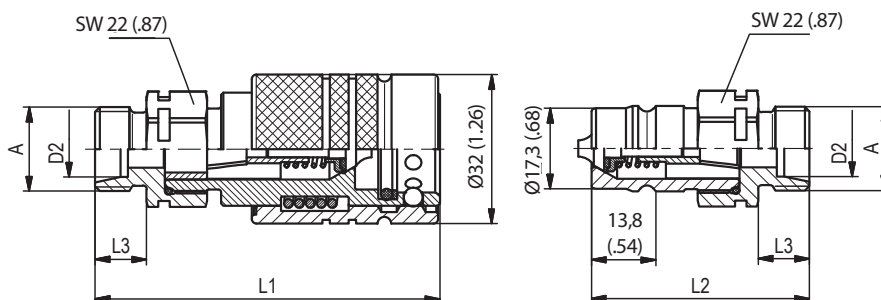
**Surface Finishing**

Zinc-Plating and Thick-Film-Passivation (Chrome III)

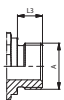
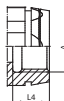
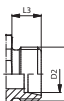
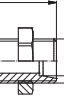
**Standard Seal Material(s)**

NBR (Buna-N®), PTFE

Dimensions acc. to ISO 7241-1, series A, size 10.



SW: Width across flats. All dimensions in mm (inch).

Port A	Dimensions (mm/in)				Female Body	Weight	Male Tip	Weight		
	ØD2	L1	L2	L3	VOSWINKEL Part Numbers STAUFF Ordering Codes	( <sup>g</sup> /oz) ca. per pc.	VOSWINKEL Part Numbers STAUFF Ordering Codes	( <sup>g</sup> /oz) ca. per pc.		
<b>Male Thread according to ISO 1179-4-B</b>										
 G3/8"		77	51	12	HP08-1-AGF06	220	HP08-2-AGF06	78		
		3.03	2.01	.47	QRC-HP-10-F-B06-BT-W66	484.00	QRC-HP-10-M-B06-B-W66	171.60		
<b>Female Thread according to DIN 3852-2-A - ISO 9974-1 - ANSI B 1.20.3</b>										
 G1/4"		76	49		13	HP08-1-IGF04	195	HP08-2-IGF04	88	
		2.99	1.93		.51	QRC-HP-10-F-G04-BT-W66	429.00	QRC-HP-10-M-G04-B-W66	193.60	
	G3/8"		76	49		13	HP08-1-IGF06	188	HP08-2-IGF06	80
			2.99	1.93		.51	QRC-HP-10-F-G06-BT-W66	413.60	QRC-HP-10-M-G06-B-W66	176.00
	M16x1,5		76	49		13	HP08-1-IMF16	188	HP08-2-IMF16	81
		2.99	1.93		.51	QRC-HP-10-F-M16-BT-W66	413.60	QRC-HP-10-M-M16-B-W66	178.20	
NPTF 3/8"-18		76	49			HP08-1-INF06	188	HP08-2-INF06	81	
		2.99	1.93			QRC-HP-10-F-NF06-BT-W66	413.60	QRC-HP-10-M-NF06-B-W66	178.20	
<b>Male Thread with 24° Conical Bore - Shape W according to DIN 3861</b>										
 M14x1,5	8L	73	46	10		HP08-1-L0814	210	HP08-2-L0814	42	
			2.87	1.81	.39	QRC-HP-10-F-08L-BT-W66	462.00	QRC-HP-10-M-08L-B-W66	92.40	
	M16x1,5	10L	74	47	11		HP08-1-L1016	210	HP08-2-L1016	65
				2.91	1.85	.43	QRC-HP-10-F-10L-BT-W66	462.00	QRC-HP-10-M-10L-B-W66	143.00
	M18x1,5	12L	74	47	11		HP08-1-L1218	215	HP08-2-L1218	73
				2.91	1.84	.43	QRC-HP-10-F-12L-BT-W66	473.00	QRC-HP-10-M-12L-B-W66	160.60
	M16x1,5	8S	75	48	12		HP08-1-S0816	212	HP08-2-S0816	71
				2.95	1.89	.47	QRC-HP-10-F-08S-BT-W66	466.40	QRC-HP-10-M-08S-B-W66	156.20
	M18x1,5	10S	75	48	12		HP08-1-S1018	216	HP08-2-S1018	72
				2.95	1.89	.47	QRC-HP-10-F-10S-BT-W66	475.20	QRC-HP-10-M-10S-B-W66	158.40
M20x1,5	12S	75	48	12		HP08-1-S1220	216	HP08-2-S1220	74	
			2.95	1.89	.47	QRC-HP-10-F-12S-BT-W66	475.20	QRC-HP-10-M-12S-B-W66	162.80	
<b>Male Thread with 24° Conical Bore - Bulkhead - Shape W according to DIN 3861</b>										
 M14x1,5	8L	88	61	25		HP08-1-N0814	228	HP08-2-N0814	84	
			3.46	2.39	.98	QRC-HP-10-F-08LB-BT-W66	501.60	QRC-HP-10-M-08LB-B-W66	184.80	
	M16x1,5	10L	89	62	26		HP08-1-N1016	234	HP08-2-N1016	90
				3.50	2.43	1.02	QRC-HP-10-F-10LB-BT-W66	514.80	QRC-HP-10-M-10LB-B-W66	198.00
	M18x1,5	12L	89	62	26		HP08-1-N1218	235	HP08-2-N1218	94
				3.50	2.43	1.02	QRC-HP-10-F-12LB-BT-W66	517.00	QRC-HP-10-M-12LB-B-W66	206.80
	M16x1,5	08S	90	63	27		HP08-1-T0816 *	230	HP08-2-T0816 *	100
				3.54	2.47	1.06	QRC-HP-10-F-08SB-BT-W66 *	506.00	QRC-HP-10-M-08SB-B-W66 *	220.00
	M20x1,5	12S	90	63	27		HP08-1-T1220 *	220	HP08-2-T1220 *	74
				3.54	2.47	1.06	QRC-HP-10-F-12SB-BT-W66 *	484.00	QRC-HP-10-M-12SB-B-W66 *	162.80

\* Available on request.



Series HP 08A ▪ BG 2 ▪ Nominal Size 10

HP

**Working Pressure**

250 bar / 25 MPa / 3626 PSI

**Burst Pressure**

1000 bar / 100 MPa / 14500 PSI (Female Body)

1000 bar / 100 MPa / 14500 PSI (Male Tip)

1000 bar / 100 MPa / 14500 PSI (Connected)

The indicated pressure ratings only apply to the coupling itself and depend on the connection type.

**Material**

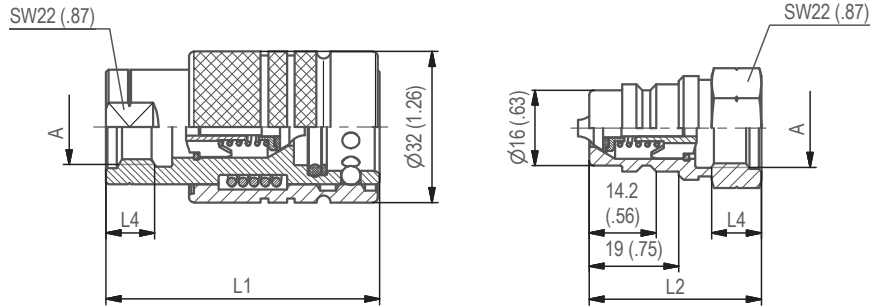
Steel

**Surface Finishing**

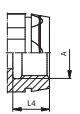
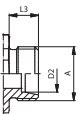
Zinc-Plating and Thick-Film-Passivation (Chrome III)

**Standard Seal Material(s)**

NBR (Buna-N®), PTFE



SW: Width across flats. All dimensions in mm (inch).

Port A	Dimensions ( <sup>mm</sup> / <sub>in</sub> )				Female Body		Weight ( <sup>g</sup> / <sub>oz</sub> ) ca. per pc.	Male Tip		Weight ( <sup>g</sup> / <sub>oz</sub> ) ca. per pc.
	ØD2	L1	L2	L3	L4	VOSWINKEL Part Numbers		VOSWINKEL Part Numbers		
Female Thread according to DIN 3852-2-A - ANSI B 1.20.3										
	G3/8"	58	37	14		HP08A1-IGF06	188	HP08A2-IGF06	51	
		2.28	1.46		.55	QRC-HPA-10-F-G06-BT-W66	413.60	QRC-HPA-10-M-G06-B-W66	112.20	
Male Thread with 24° Conical Bore - Bulkhead - Shape W according to DIN 3861										
	M16x1,5	58	37	14		HP08A1-L1016	226	HP08A2-L1016	88	
		2.28	1.44	.55		QRC-HPA-10-F-10L-BT-W66	497.20	QRC-HPA-10-M-10L-B-W66	193.60	



**Series HP 10 ▪ BG 3 ▪ Nominal Size 12,5**
**HP**
**Working Pressure**

250 bar / 25 MPa / 3626 PSI

**Burst Pressure**

1000 bar / 100 MPa / 14500 PSI (Female Body)

1000 bar / 100 MPa / 14500 PSI (Male Tip)

1000 bar / 100 MPa / 14500 PSI (Connected)

The indicated pressure ratings only apply to the coupling itself and depend on the connection type.

**Material**

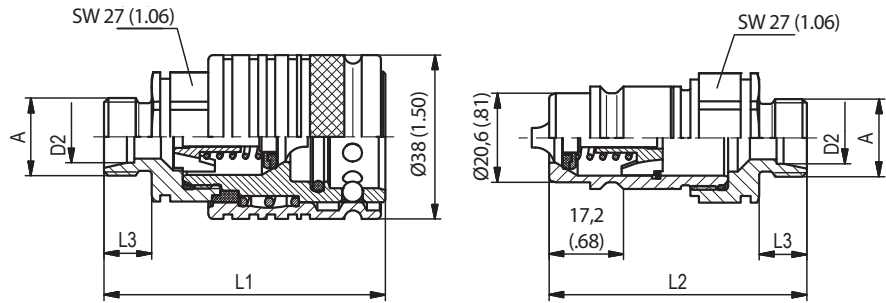
Steel

**Surface Finishing**

Zinc-Nickel

**Standard Seal Material(s)**

NBR (Buna-N®)



Dimensions acc. to ISO 7241-1, series A, size 12,5 and ISO 5675.

SW: Width across flats. All dimensions in mm (inch).

Port A	Dimensions (mm/in)					Female Body	Weight	Male Tip	Weight
	ØD2	L1	L2	L3	L4	VOSWINKEL Part Numbers STAUFF Ordering Codes	( <sup>g</sup> /oz) ca. per pc.	VOSWINKEL Part Numbers STAUFF Ordering Codes	( <sup>g</sup> /oz) ca. per pc.
<b>Male Thread according to ISO 1179-4-B - ISO 9974-3</b>									
	G 3/8"	71	61	12		HP10-1-AGF06N	290	HP10-2-AGF06N	119
		2.80	2.40	.47		QRC-HP-12-F-B06-B-W3	638.00	QRC-HP-12-M-B06-B-W3	261.80
	G 1/2"	71	61	12		HP10-1-AGF08N	296	HP10-2-AGF08N	123
		2.80	2.40	.47		QRC-HP-12-F-B08-B-W3	651.20	QRC-HP-12-M-B08-B-W3	270.60
M22x1,5	71	61	12		HP10-1-AMF22N	300	HP10-2-AMF22N	129	
	2.80	2.40	.47		QRC-HP-12-F-M22M-B-W3	660.00	QRC-HP-12-M-M22M-B-W3	283.80	
<b>Female Thread according to DIN 3852-2-A - ISO 6149-1 - ISO 9974-1 - ANSI B 1.20.3 - SAE J1926-1</b>									
	G3/8"	68	60		15	HP10-1-IGF06N	331	HP10-2-IGF06N	153
		2.68	2.36		.59	QRC-HP-12-F-G06-B-W3	728.20	QRC-HP-12-M-G06-B-W3	336.60
	G 1/2"	70	48		17	HP10-1-IGF08N	280	HP10-2-IGF08N	92
		2.76	1.89		.67	QRC-HP-12-F-G08-B-W3	616.00	QRC-HP-12-M-G08-B-W3	202.40
	M16x1,5	67	62		15	HP10-1-IMF16N	318	HP10-2-IMF16N	160
		2.65	2.43		.59	QRC-HP-12-F-M160R-B-W3	699.60	QRC-HP-12-M-M160R-B-W3	352.00
	M18x1,5	68	60		15	HP10-1-IMF18N	318	HP10-2-IMF18N	147
		2.68	2.36		.59	QRC-HP-12-F-M180R-B-W3	699.60	QRC-HP-12-M-M180R-B-W3	323.40
	M22x1,5	70	48		17	HP10-1-IMF22N	284	HP10-2-IMF22N	88
		2.76	1.89		.67	QRC-HP-12-F-M22-B-W3	624.80	QRC-HP-12-M-M220R-B-W3	193.60
	NPTF 1/2"-14	70	48			HP10-1-INF08N	294	HP10-2-INF08N	94
		2.76	1.89			QRC-HP-12-F-NF08-B-W3	646.80	QRC-HP-12-M-NF08-B-W3	206.80
	UNF 3/4"-16	77	48		14	HP10-1-IUF08N	278	HP10-2-IUF08N	88
		3.03	1.89		.55	QRC-HP-12-F-U08-B-W3	611.60	QRC-HP-12-M-U08-B-W3	193.60



Series HP 10 • BG 3 • Nominal Size 12,5

HP

Working Pressure

250 bar / 25 MPa / 3626 PSI

Burst Pressure

1000 bar / 100 MPa / 14500 PSI (Female Body)

1000 bar / 100 MPa / 14500 PSI (Male Tip)

1000 bar / 100 MPa / 14500 PSI (Connected)

The indicated pressure ratings only apply to the coupling itself and depend on the connection type.

Material

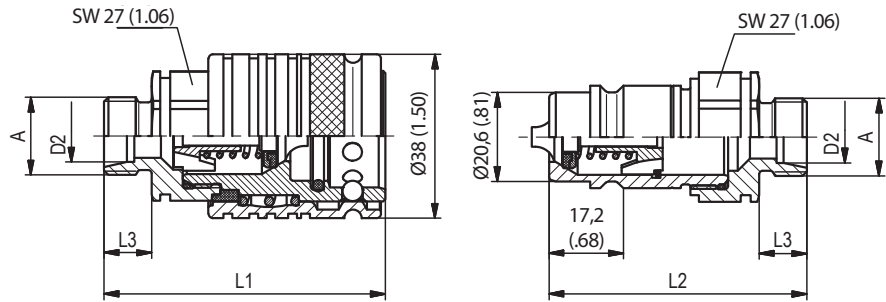
Steel

Surface Finishing

Zinc-Nickel

Standard Seal Material(s)

NBR (Buna-N®)



Dimensions acc. to ISO 7241-1, series A, size 12,5 and ISO 5675.

SW: Width across flats. All dimensions in mm (inch).

Port A	Dimensions (mm/in)	Dimensions				Female Body	Weight	Male Tip	Weight		
		ØD2	L1	L2	L3	L4	VOSWINKEL Part Numbers	( <sup>g</sup> /oz) ca.	VOSWINKEL Part Numbers	( <sup>g</sup> /oz) ca.	
						STAUFF Ordering Codes	per pc.	STAUFF Ordering Codes	per pc.		
<b>Male Thread with 24° Conical Bore - Shape W according to DIN 3861</b>											
	M14x1,5	8L	64	58	10		HP10-1-L0814N	262	HP10-2-L0814N	107	
			2.53	2.30	.39			QRC-HP-12-F-08L-B-W3	576.40	QRC-HP-12-M-08L-B-W3	235.40
	M16x1,5	10L	65	60	11			HP10-1-L1016N	257	HP10-2-L1016N	109
			2.57	2.35	.43			QRC-HP-12-F-10L-B-W3	565.40	QRC-HP-12-M-10L-B-W3	239.80
	M18x1,5	12L	65	60	11			HP10-1-L1218N	257	HP10-2-L1218N	109
			2.57	2.35	.43			QRC-HP-12-F-12L-B-W3	565.40	QRC-HP-12-M-12L-B-W3	239.80
	M22x1,5	15L	66	61	12			HP10-1-L1522N	265	HP10-2-L1522N	117
			2.61	2.39	.47			QRC-HP-12-F-15L-B-W3	583.00	QRC-HP-12-M-15L-B-W3	257.40
	M26x1,5	18L	66	61	12			HP10-1-L1826N	273	HP10-2-L1826N	119
			2.61	2.39	.47			QRC-HP-12-F-18L-B-W3	600.60	QRC-HP-12-M-18L-B-W3	261.80
	M18x1,5	10S	66	61	12			HP10-1-S1018N	265	HP10-2-S1018N	115
			2.61	2.39	.47			QRC-HP-12-F-10S-B-W3	583.00	QRC-HP-12-M-10S-B-W3	253.00
	M20x1,5	12S	66	61	12			HP10-1-S1220N	267	HP10-2-S1220N	117
			2.61	2.39	.47			QRC-HP-12-F-12S-B-W3	587.40	QRC-HP-12-M-12S-B-W3	257.40
	M22x1,5	14S	68	63	14			HP10-1-S1422N	273	HP10-2-S1422N	123
			2.69	2.47	.55			QRC-HP-12-F-14S-B-W3	600.60	QRC-HP-12-M-14S-B-W3	270.60
M24x1,5	16S	68	63	14			HP10-1-S1624N	275	HP10-2-S1624N	125	
		2.69	2.47	.55			QRC-HP-12-F-16S-B-W3	605.00	QRC-HP-12-M-16S-B-W3	275.00	
<b>Male Thread with 24° Conical Bore - Bulkhead - Shape W according to DIN 3861</b>											
	M14x1,5	08L	80	75	26		HP10-1-N0814N	282	HP10-2-N0814N	129	
			3.16	2.94	1.02			QRC-HP-12-F-08LB-B-W3	620.40	QRC-HP-12-M-08LB-B-W3	283.80
	M16x1,5	10L	80	75	26			HP10-1-N1016N	288	HP10-2-N1016N	135
			3.16	2.94	1.02			QRC-HP-12-F-10LB-B-W3	633.60	QRC-HP-12-M-10LB-B-W3	297.00
	M18x1,5	12L	84	79	30			HP10-1-N1218N	291	HP10-2-N1218N	143
			3.31	3.10	1.18			QRC-HP-12-F-12LB-B-W3	640.20	QRC-HP-12-M-12LB-B-W3	314.60
	M22x1,5	15L	81	76	27			HP10-1-N1522N	307	HP10-2-N1522N	159
			3.19	2.98	1.06			QRC-HP-12-F-15LB-B-W3	675.40	QRC-HP-12-M-15LB-B-W3	349.80
	M26x1,5	18L	81	76	27			HP10-1-N1826N	341	HP10-2-N1826N	193
			3.20	2.98	1.06			QRC-HP-12-F-18LB-B-W3	750.20	QRC-HP-12-M-18LB-B-W3	424.60
	M18x1,5	10S	80	75	26			HP10-1-T1018N	297	HP10-2-T1018N	147
			3.16	2.94	1.02			QRC-HP-12-F-10SB-B-W3	653.40	QRC-HP-12-M-10SB-B-W3	323.40
	M20x1,5	12S	81	76	27			HP10-1-T1220N	305	HP10-2-T1220N	155
			3.20	2.98	1.06			QRC-HP-12-F-12SB-B-W3	671.00	QRC-HP-12-M-12SB-B-W3	341.00
	M22x1,5	14S	83	78	29			HP10-1-T1422N	319	HP10-2-T1422N	171
			3.28	3.06	1.14			QRC-HP-12-F-14SB-B-W3	701.80	QRC-HP-12-M-14SB-B-W3	376.20
M24x1,5	16S	83	78	29			HP10-1-T1624N	333	HP10-2-T1624N	183	
		3.28	3.06	1.14			QRC-HP-12-F-16SB-B-W3	732.60	QRC-HP-12-M-16SB-B-W3	402.60	



**Working Pressure**

250 bar / 25 MPa / 3626 PSI

**Burst Pressure**

1000 bar / 100 MPa / 14500 PSI (Female Body)

1000 bar / 100 MPa / 14500 PSI (Male Tip)

1000 bar / 100 MPa / 14500 PSI (Connected)

The indicated pressure ratings only apply to the coupling itself and depend on the connection type.

**Material**

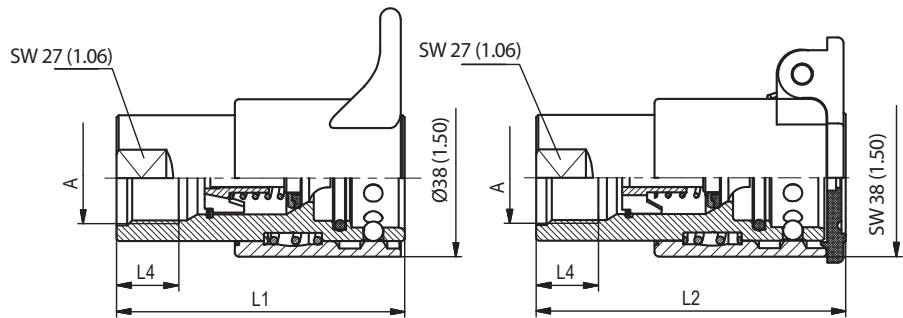
Steel

**Surface Finishing**

Zinc-Plating and Thick-Film-Passivation (Chrome III)

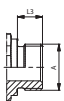
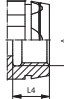
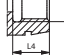
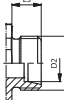
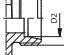
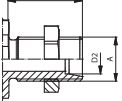
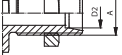


**Standard Seal Material(s)**

NBR (Buna-N®)



Dimensions acc. to ISO 7241-1, series A, size 12,5 and ISO 5675.

SW: Width across flats. All dimensions in mm (inch).

Port A	Dimensions (mm/in)					Female Body VOSWINKEL Part Numbers	Weight ( <sup>g</sup> / <sub>oz</sub> ) ca.	Female Body with Dust Cap VOSWINKEL Part Numbers	Weight ( <sup>g</sup> / <sub>oz</sub> ) ca.
	ØD2	L1	L2	L3	L4	STAUFF Ordering Codes	per pc.	STAUFF Ordering Codes	per pc.
<b>Male Thread according to DIN 3852</b>									
 G 1/2"		74		12		ZP10-1-AGF08	314		
		2.92		.47		QRC-ZP-12-F-B08-B-W66	690.80		
<b>Female Thread according to DIN 3852-2 - ISO 9974-1</b>									
 G1/2"		70			17	ZP10-1-IGF08	314		
		2.76			.67	QRC-ZP-12-F-G08-B-W66	690.80		
 M22x1,5		70	75		17	ZP10-1-IMF22	310	ZP10-5-IMF22C1	305
		2.76	2.95		.67	QRC-ZP-12-F-M22-B-W66	682.00	QRC-ZP-12-FF-M22/L-B-W66-SW	671.00
<b>Male Thread with 24° Conical Bore - Shape W according to DIN 3861</b>									
 M18x1,5	12L	70			11	ZP10-1-L1218	301		
		2.76		.43		QRC-ZP-12-F-12L-B-W66	662.20		
 M22x1,5	15L	71			12	ZP10-1-L1522	309		
		2.80		.47		QRC-ZP-12-F-15L-B-W66	679.80		
<b>Male Thread with 24° Conical Bore - Bulkhead - Shape W according to DIN 3861</b>									
 M18x1,5	12L	89	93	30		ZP10-1-N1218	335	ZP10-5-N1218C1	362
		3.51	3.67	1.18		QRC-ZP-12-F-12LB-B-W66	737.00	QRC-ZP-12-FF-12LB/S-B-W66-SW	796.40
 M22x1,5	15L	86	90	27		ZP10-1-N1522	351	ZP10-5-N1522C1	389
		3.39	3.55	1.06		QRC-ZP-12-F-15LB-B-W66	772.20	QRC-ZP-12-FF-15LB/S-B-W66-SW	855.80
 M20x1,5	12S	90	27					ZP10-5-T1220C1	393
			3.55	1.06					QRC-ZP-12-FF-12SB/L-B-W66-SW
 M24x1,5	16S	92	29					ZP10-5-T1624C1	415
		3.63	1.14					QRC-ZP-12-FF-16SB/L-B-W66-SW	913.00



Series AP 10 ▪ BG 3 ▪ Nominal Size 12,5

HP

**Working Pressure**

250 bar / 25 MPa / 3626 PSI

**Burst Pressure**

1000 bar / 100 MPa / 14500 PSI (Female Body)

1000 bar / 100 MPa / 14500 PSI (Male Tip)

1000 bar / 100 MPa / 14500 PSI (Connected)

The indicated pressure ratings only apply to the coupling itself and depend on the connection type.

**Material**

Steel

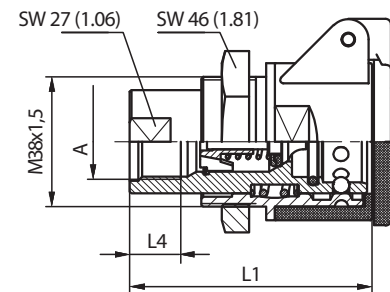
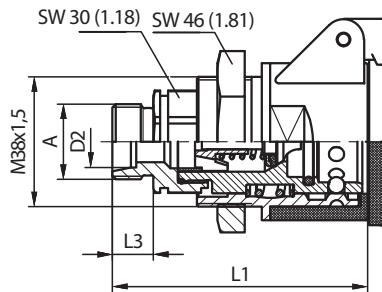
**Surface Finishing**

Zinc-Plating and Thick-Film-Passivation (Chrome III)

**Standard Seal Material(s)**

NBR (Buna-N®)

Dimensions acc. to ISO 7241-1, series A, size 12,5 and ISO 5675.



SW: Width across flats. All dimensions in mm (inch).

Port A	Dimensions ( <sup>mm</sup> / <sub>in</sub> )				Female Body		Weight ( <sup>g</sup> / <sub>oz</sub> ) ca. per pc.
	ØD2	L1	L2	L3	L4	VOSWINKEL Part Numbers STAUFF Ordering Codes	
<b>Female Thread according to ISO 9974-1</b>							
	M22x1,5	75			15	AP10-5-I2230A1	381
		2.95			.59	QRC-AP-12-FF-M22M30-B-W66-RD/BK	838.20
<b>Male Thread with 24° Conical Bore - Shape W according to DIN 3861</b>							
	M22x1,5	15L	72		12	AP10-5-L1522A1	390
			2.84		.47	QRC-AP-12-FF-15L-B-W66-RD/BK	858.00





**Working Pressure**

250 bar / 25 MPa / 3626 PSI

**Burst Pressure**

1000 bar / 100 MPa / 14500 PSI (Female Body)

700 bar / 70 MPa / 10150 PSI (Male Tip)

1000 bar / 100 MPa / 14500 PSI (Connected)

The indicated pressure ratings only apply to the coupling itself and depend on the connection type.

**Material**

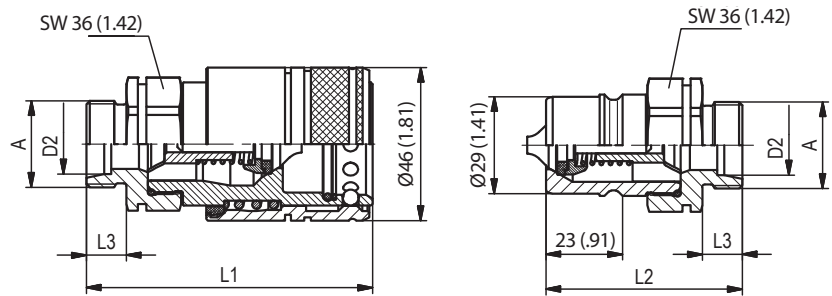
Steel

**Surface Finishing**

Zinc-Plating and Thick-Film-Passivation (Chrome III)

**Standard Seal Material(s)**

NBR (Buna-N®), PTFE



Dimensions acc. to ISO 7241-1, series A, size 19 and ISO 5675.

SW: Width across flats. All dimensions in mm (inch).

Port A	Dimensions (mm/in)					Female Body	Weight	Male Tip	Weight
	ØD2	L1	L2	L3	L4	VOSWINKEL Part Numbers STAUFF Ordering Codes	( <sup>g</sup> /oz) ca. per pc.	VOSWINKEL Part Numbers STAUFF Ordering Codes	( <sup>g</sup> /oz) ca. per pc.
<b>Female Thread according to DIN 3852-2 - ISO 9974-1</b>									
	G3/4"	92	65		19	HP12-1-IGF12	605	HP12-2-IGF12	315
		3.62	2.56		.75	QRC-HP-19-F-G12-BT-W66	1331.00	QRC-HP-19-M-G12-B-W66	693.00
	M22x1,5	92	65		19	HP12-1-IMF22	628	HP12-2-IMF22	313
		3.62	2.56		.75	QRC-HP-19-F-M22-BT-W66	1381.60	QRC-HP-19-M-M22-B-W66	688.60
	NPTF 3/4"-14	92	65			HP12-1-INF12	628	HP12-2-INF12	313
		3.62	2.56			QRC-HP-19-F-NF12-BT-W66	1381.60	QRC-HP-19-M-NF12-B-W66	688.60
<b>Male Thread with 24° Conical Bore - Shape W according to DIN 3861</b>									
	M18x1,5	12L	85	58	11	HP12-1-L1218	544	HP12-2-L1218	227
			3.35	2.28	.43		QRC-HP-19-F-12L-BT-W66	1196.80	QRC-HP-19-M-12L-B-W66
	M22x1,5	15L	86	59	12	HP12-1-L1522	546	HP12-2-L1522	232
			3.39	2.32	.47		QRC-HP-19-F-15L-BT-W66	1201.20	QRC-HP-19-M-15L-B-W66
	M26x1,5	18L	86	59	12	HP12-1-L1826	555	HP12-2-L1826	238
			3.39	2.32	.47		QRC-HP-19-F-18L-BT-W66	1221.00	QRC-HP-19-M-18L-B-W66
	M30x2	22L	88	61	14	HP12-1-L2230	569	HP12-2-L2230	248
			3.46	2.40	.55		QRC-HP-19-F-22L-BT-W66	1251.80	QRC-HP-19-M-22L-B-W66
	M24x1,5	16S	88	61	14	HP12-1-S1624	560	HP12-2-S1624	242
			3.46	2.40	.55		QRC-HP-19-F-16S-BT-W66	1232.00	QRC-HP-19-M-16S-B-W66
	M30x2	20S	90	63	16	HP12-1-S2030	572	HP12-2-S2030	252
			3.54	2.48	.63		QRC-HP-19-F-20S-BT-W66	1258.40	QRC-HP-19-M-20S-B-W66
<b>Male Thread with 24° Conical Bore - Bulkhead - Shape W according to DIN 3861</b>									
	M18x1,5	12L	100	73	26	HP12-1-N1218	574	HP12-2-N1218	276
			3.94	2.87	1.02		QRC-HP-19-F-12LB-BT-W66	1262.80	QRC-HP-19-M-12LB-B-W66
	M22x1,5	15L	101	74	27	HP12-1-N1522	590	HP12-2-N1522	274
			3.98	2.91	1.06		QRC-HP-19-F-15LB-BT-W66	1298.00	QRC-HP-19-M-15LB-B-W66
	M26x1,5	18L	101	74	27	HP12-1-N1826	627	HP12-2-N1826	310
			3.98	2.91	1.06		QRC-HP-19-F-18LB-BT-W66	1379.40	QRC-HP-19-M-18LB-B-W66
	M30x2	22L	110	83	36	HP12-1-N2230	675	HP12-2-N2230	355
			4.33	3.27	1.42		QRC-HP-19-F-22LB-BT-W66	1485.00	QRC-HP-19-M-22LB-B-W66
	M24x1,5	16S	103	76	29	HP12-1-T1624	614	HP12-2-T1624	298
			4.06	2.99	1.14		QRC-HP-19-F-16SB-BT-W66	1350.80	QRC-HP-19-M-16SB-B-W66
	M30x2	20S	110	83	36	HP12-1-T2030	685	HP12-2-T2030	362
			4.33	3.27	1.42		QRC-HP-19-F-20SB-BT-W66	1507.00	QRC-HP-19-M-20SB-B-W66



Series HP 20 • BG 8 • Nominal Size 25

HP

Working Pressure

250 bar / 25 MPa / 3626 PSI

Burst Pressure

1000 bar / 100 MPa / 14500 PSI (Female Body)

700 bar / 70 MPa / 10150 PSI (Male Tip)

1000 bar / 100 MPa / 14500 PSI (Connected)

The indicated pressure ratings only apply to the coupling itself and depend on the connection type.

Material

Steel

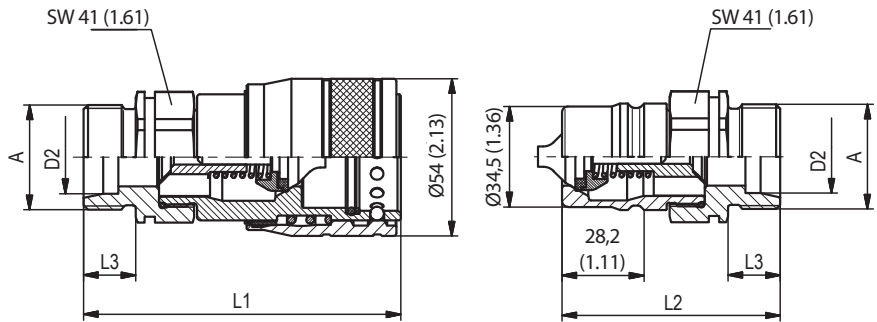
Surface Finishing

Zinc-Plating and Thick-Film-Passivation (Chrome III)

Standard Seal Material(s)

NBR (Buna-N®), PTFE

Dimensions acc. to ISO 7241-1, series A, size 25.



SW: Width across flats. All dimensions in mm (inch).

Port A	Dimensions (mm/in)				Female Body	Weight	Male Tip	Weight		
	ØD2	L1	L2	L3	VOSWINKEL Part Numbers STAUFF Ordering Codes	( <sup>g</sup> /oz) ca. per pc.	VOSWINKEL Part Numbers STAUFF Ordering Codes	( <sup>g</sup> /oz) ca. per pc.		
<b>Female Thread according to DIN 3852-2-A - ANSI B 1.20.3</b>										
	G3/4"	104	72		19	HP20-1-IGF12	876	HP20-2-IGF12	409	
		4.09	2.83		.75	QRC-HP-25-F-G12-BT-W66	1927.20	QRC-HP-25-M-G12-B-W66	899.80	
	G1"	104	72		19	HP20-1-IGF16	834	HP20-2-IGF16	363	
		4.09	2.83		.75	QRC-HP-25-F-G16-BT-W66	1834.80	QRC-HP-25-M-G16-B-W66	798.60	
	NPTF 1"-11 1/2	104	72			HP20-1-INF16	834	HP20-2-INF16	363	
		4.09	2.83			QRC-HP-25-F-NF16-BT-W66	1834.80	QRC-HP-25-M-NF16-B-W66	798.60	
<b>Male Thread with 24° Conical Bore - Shape W according to DIN 3861</b>										
	M15x1,5	22L	103	69	12		HP20-1-L1522 *	797	HP20-2-L1522 *	346
		4.06	2.72	.47		QRC-HP-25-F-15L-BT-W66	1753.40	QRC-HP-25-M-15L-B-W66	761.20	
	M26x1,5	18L	103	69	12		HP20-1-L1826	813	HP20-2-L1826	348
		4.06	2.72	.47		QRC-HP-25-F-18L-BT-W66	1788.60	QRC-HP-25-M-18L-B-W66	765.60	
	M30x2	22L	105	71	14		HP20-1-L2230	817	HP20-2-L2230	355
		4.13	2.80	.55		QRC-HP-25-F-22L-BT-W66	1797.40	QRC-HP-25-M-22L-B-W66	781.00	
	M36x2	28L	105	71	14		HP20-1-L2836	819	HP20-2-L2836	360
		4.13	2.80	.55		QRC-HP-25-F-28L-BT-W66	1801.80	QRC-HP-25-M-28L-B-W66	792.00	
	M45x2	35L	107	73	16		HP20-1-L3545 *	896	HP20-2-L3545 *	445
		4.21	2.87	.63		QRC-HP-25-F-35L-BT-W66	1971.20	QRC-HP-25-M-35L-B-W66	979.00	
	M30x2	20S	107	73	16		HP20-1-S2030	828	HP20-2-S2030	361
		4.21	2.87	.63		QRC-HP-25-F-20S-BT-W66	1821.60	QRC-HP-25-M-20S-B-W66	794.20	
	M36x2	25S	109	75	18		HP20-1-S2536	850	HP20-2-S2536	380
		4.29	2.95	.71		QRC-HP-25-F-25S-BT-W66	1870.00	QRC-HP-25-M-25SB-B-W66	836.00	
	M42x2	30S	111	77	20		HP20-1-S3042	820	HP20-2-S3042	440
		4.37	3.03	.79		QRC-HP-25-F-30S-BT-W66	1804.00	QRC-HP-25-M-30S-B-W66	968.00	
<b>Male Thread with 24° Conical Bore - Bulkhead - Shape W according to DIN 3861</b>										
	M15x1,5	22L	118	84	27		HP20-1-N1522	829	HP20-2-N1522 *	378
		4.65	3.31	1.06		QRC-HP-25-F-15LB-BT-W66	1823.80	QRC-HP-25-M-15LB-B-W66	831.60	
	M26x1,5	18L	123	89	32		HP20-1-N1826	850	HP20-2-N1826	428
		4.84	3.50	1.26		QRC-HP-25-F-18LB-BT-W66	1870.00	QRC-HP-25-M-18LB-B-W66	941.60	
	M30x2	22L	125	91	34		HP20-1-N2230	909	HP20-2-N2230	440
		4.92	3.58	1.34		QRC-HP-25-F-22LB-BT-W66	1999.80	QRC-HP-25-M-22LB-B-W66	968.00	
	M36x2	28L	125	91	34		HP20-1-N2836	854	HP20-2-N2836	481
		4.92	3.58	1.34		QRC-HP-25-F-28LB-BT-W66	1878.80	QRC-HP-25-M-28LB-B-W66	1058.20	
	M30x2	20S	129	95	38		HP20-1-T2030	835	HP20-2-T2030	474
		5.08	3.74	1.50		QRC-HP-25-F-20SB-BT-W66	1837.00	QRC-HP-25-M-20SB-B-W66	1042.80	
	M36x2	25S	129	95	38		HP20-1-T2536	890	HP20-2-T2536	524
		5.08	1.38	1.50		QRC-HP-25-F-25SB-BT-W66	1958.00	QRC-HP-25-M-25SB-B-W66	1152.80	
	M42x2	30S	131	97	40		HP20-1-T3042	1119	HP20-2-T3042	634
		5.16	3.82	1.57		QRC-HP-25-F-30SB-BT-W66	2461.80	QRC-HP-25-M-30SB-B-W66	1394.80	

\* Available on request.



**Series HU 12 • BG 3 • Nominal Size 12,5 • Connect under Pressure**
**HP**
**Working Pressure**

250 bar / 25 MPa / 3626 PSI

**Burst Pressure**

1500 bar / 150 MPa / 21756 PSI (Female Body)

1000 bar / 100 MPa / 14504 PSI (Male Tip)

1100 bar / 110 MPa / 15954 PSI (Connected)

The indicated pressure ratings only apply to the coupling itself and depend on the connection type.

**Material**

Steel

**Surface Finishing**

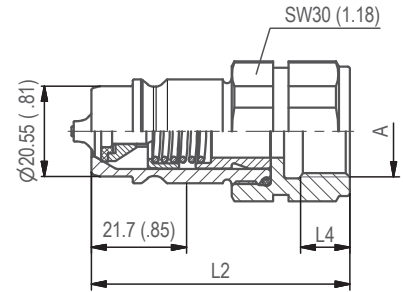
Zinc-Plating and Thick-Film-Passivation (Chrome III)

**Standard Seal Material(s)**

NBR (Buna-N®)

Male tip Connect under Pressure - use our HP10 female side.

Dimensions acc. to ISO 7241-1, series A



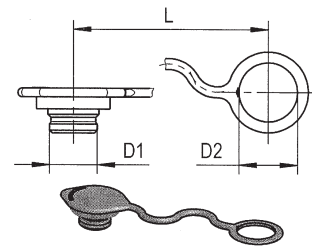
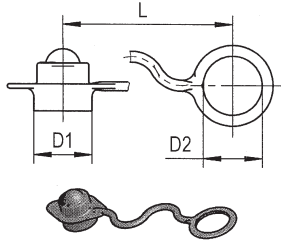
SW: Width across flats. All dimensions in mm (inch).

	Port A	Dimensions (mm/in)					Weight ( <sup>g</sup> /oz) ca. per pc.	Male Tip		Weight ( <sup>g</sup> /oz) ca. per pc.
		ØD2	L1	L2	L3	L4		VOSWINKEL Part Numbers	STAUFF Ordering Codes	
<b>Female Thread according to DIN 3852-2-A - ANSI B 1.20.3</b>										
	G3/8"	72	59		12		324	HU12-2-IGF06	166	
		2.83	2.32		.47		712.80	QRC-HU-12-M-G06-B-W66I	365.20	
	NPTF 3/8" -18	74,5	61,5				350	HU12-2-INF06	192	
		2.93	2.42				770.00	QRC-HU-12-M-NF06-B-W66I	422.40	
	G1/2"	72	59		14		320	HU12-2-IGF08	162	
		2.83	2.32		.55		704.00	QRC-HU-12-M-G08-B-W66I	356.40	
	NPTF 1/2" -14	75	62				334	HU12-2-INF08	176	
		2.95	2.44				734.80	QRC-HU-12-M-NF08-B-W66I	387.20	



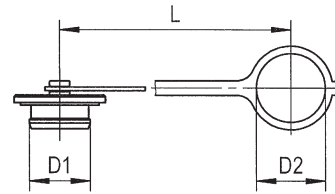
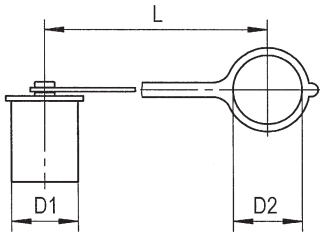
Series HP - Dust Protection

HP



Dimensions (mm/in)			Material	Dust Cap for Male Tip	
D1	D2	L		VOSWINKEL Part Numbers	STAUFF Ordering Codes
28	27	134	Plastic (Colour: Red)	HP10-0-RT004	QRC-HP-12-DM-27-K/1-RD
1.10	1.06	5.28			

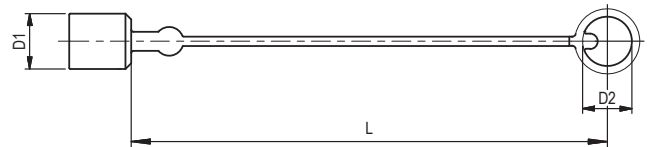
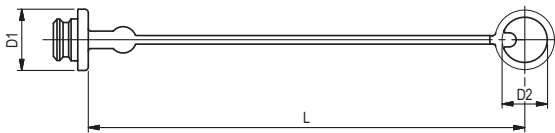
Dimensions (mm/in)			Material	Dust Plug for Female Body	
D1	D2	L		VOSWINKEL Part Numbers	STAUFF Ordering Codes
22	27	135	Plastic (Colour: Red)	HP10-9-RT004	QRC-HP-12-DF-27-K/1-RD
.87	1.06	5.31			



Dimensions (mm/in)			Material	Dust Cap for Male Tip	
D1	D2	L		VOSWINKEL Part Numbers	STAUFF Ordering Codes
22	22	125	Plastic (Colour: Red)	HP08-0-RT001	QRC-HP-10-DM-22-K-RD
.87	.87	4.92			
33	37	190	Plastic (Colour: Red)	HP12-0-RT001	QRC-HP-19-DM-37-K-RD
1.30	1.46	7.48			
36	41	190	Plastic (Colour: Red)	HP20-0-RT001	QRC-HP-25-DM-41-K-RD
1.42	1.61	7.48			

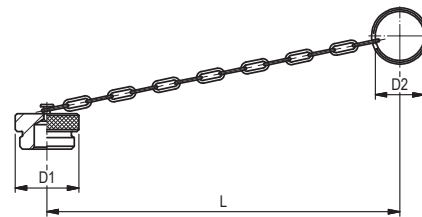
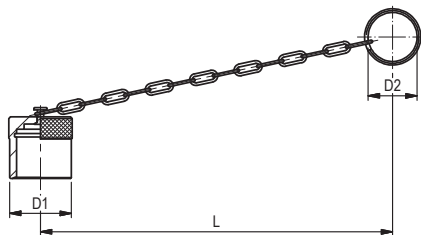
Dimensions (mm/in)			Material	Dust Plug for Female Body	
D1	D2	L		VOSWINKEL Part Numbers	STAUFF Ordering Codes
18	22	125	Plastic (Colour: Red)	HP08-9-RT001	QRC-HP-10-DF-22-K-RD
.71	.87	4.92			
30	37	190	Plastic (Colour: Red)	HP12-9-RT001	QRC-HP-19-DF-37-K-RD
1.18	1.46	7.48			
36	41	190	Plastic (Colour: Red)	HP20-9-RT001	QRC-HP-25-DF-41-K-RD
1.42	1.61	7.48			

Series HU - Dust Protection



Dimensions (mm/in)			Material	Dust Cap for Male Tip	
D1	D2	L		VOSWINKEL Part Numbers	STAUFF Ordering Codes
29	26	250	Plastic (Colour: Red)	IA12-0-RT001	QRC-IA-12-DM-26-W66I-RD
1.14	1.02	9.84			

Dimensions (mm/in)			Material	Dust Plug for Female Body	
D1	D2	L		VOSWINKEL Part Numbers	STAUFF Ordering Codes
35	26	250	Plastic (Colour: Red)	IA12-9-RT001	QRC-IA-12-DF-26-W66I-RD
1.38	1.02	9.84			



Dimensions (mm/in)			Material	Dust Cap for Male Tip	
D1	D2	L		VOSWINKEL Part Numbers	STAUFF Ordering Codes
38	32	205	Aluminium with chain	IA12-0-SI001	QRC-IA-12-DM-32/CN-W89I-SI
1.50	1.26	8.07			

Dimensions (mm/in)			Material	Dust Plug for Female Body	
D1	D2	L		VOSWINKEL Part Numbers	STAUFF Ordering Codes
38	32	205	Aluminium with chain	IA12-9-SI001	QRC-IA-12-DF-32/CN-W89I-SI
1.50	1.26	8.07			

In addition to the standard colours as stated above, plastic dust caps are also available in blue, green, yellow and black. Please use the VOSWINKEL codes BL, GN, GE and SW respectively instead of RT. Please use the STAUFF codes BU, GN, YE and BK respectively instead of RD.





Series UX • Characteristics	32
Series UX 10 • BG 3 • Nominal Size 12,5 • short version	33
Series UX 10 • BG 3 • Nominal Size 12,5 • long version	34



### Series UX ▪ Characteristics

**Description**

The coupling series UX exceeds the requirements of ISO 7241-1 series A and ISO 5675 for the agricultural sector and is uncompromisingly designed for maximum efficiency.

The newly developed single-hand coupling sleeve can be engaged in the coupling connector under full operating pressure. Further advantages include the breakaway function and the lower coupling and uncoupling force.

For short term application the System UX achieves by the flow direction from HP10 male to UX female a maximum volumetric flow of 240 l/min / 63.4 US GPM - record level. Operation in heavy-duty tractors and implements such as tipper, is now safe.

**Working Pressure**

250 bar / 25 MPa / 3625 PSI

The indicated pressure ratings only apply to the coupling itself and depend on the connection type.

**Working Temperature**

-30° C ... +100° C / -22° F ... +212° F

**Material**

Steel

**Surface Finishing**

Zinc-Plating and Thick-Film-Passivation (Chrome III)

**Standard Seal Material(s)**

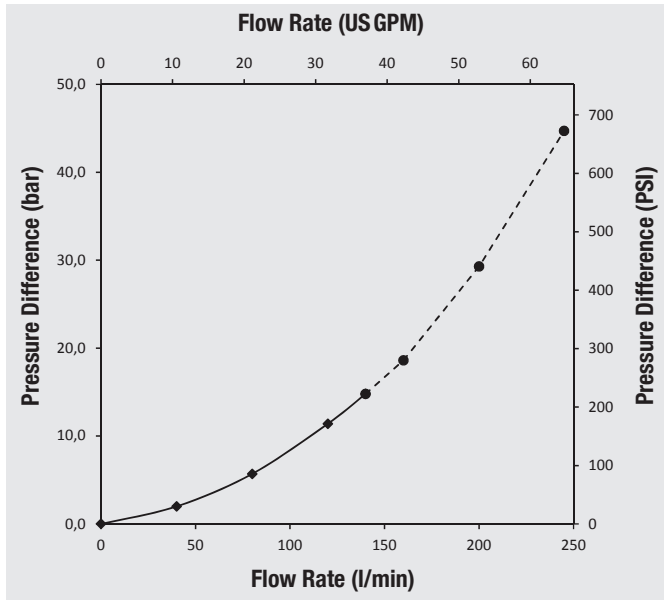
NBR (Buna-N®), PTFE



The series UX coupling sleeve is available in two different overall lengths and is therefore compatible with the common commercially available built-in couplings.

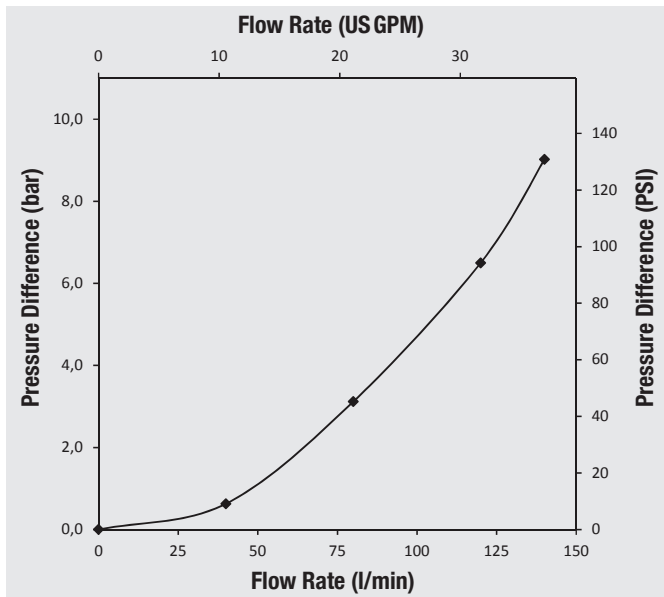
UX

### Series UX 10 ▪ BG 3 ▪ Nominal Size 12,5



Flow Direction  
**Male Tip HP 10 > Female Body UX 10**

### Series UX 10 ▪ BG 3 ▪ Nominal Size 12,5



Direction of Flow  
**Female Body UX 10 > Male Tip HP 10**

Please note: Unless otherwise stated, all flow characteristics have been determined with hydraulic oil with a kinematic viscosity of 36 mm<sup>2</sup>/s (36 cSt) and are only valid for components with non-reducing connections.





**Series UX 10 ▪ BG 3 ▪ Nominal Size 12,5**
**UX**
**Working Pressure**

250 bar / 25 MPa / 3626 PSI

**Burst Pressure**

1000 bar / 100 MPa / 14500 PSI (Female Body)

1000 bar / 100 MPa / 14500 PSI (Male Tip)

1000 bar / 100 MPa / 14500 PSI (Connected)

The indicated pressure ratings only apply to the coupling itself and depend on the connection type.

**Material**

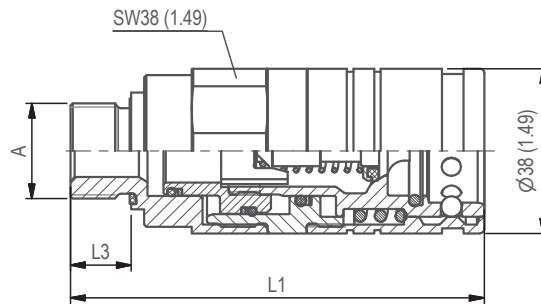
Steel

**Surface Finishing**

Zinc-Plating and Thick-Film-Passivation (Chrome III)

**Standard Seal Material(s)**

NBR (Buna-N®), PTFE, PU



Dimensions acc. to ISO 7241-1, series A, size 12,5.

SW: Width across flats. All dimensions in mm (inch).

Port A	Dimensions (mm/in)				Female Body	Weight		
	ØD2	L1	L2	L3	VOSWINKEL Part Numbers STAUFF Ordering Codes	( <sup>g</sup> /oz) ca. per pc.		
<b>Male Thread according to EN ISO 9974-2, DIN 3852 T11 Shape E</b>								
	M22x1,5	95,5		14	<b>UX10-1-AME22S</b>	495		
		3,76		.55	<b>QRC-UXS-12-F-M22MWD-S1-W66-SM</b>	1089		
<b>Male Thread according to ISO 6149, DIN 3852 T3, Shape C</b>								
	M22x1,5	94		13	<b>UX10-1-AMF22S</b>	492		
		3,70		.51	<b>QRC-UXS-12-F-M22MOR-S1-W66-SM</b>	1082		
<b>Male Thread with 24° Conical Bore - Bulkhead - Shape W according to DIN 3861</b>								
	M18x1,5	12L	112,5	30	<b>UX10-1-N1218S</b>	502		
			4,43	1,18	<b>QRC-UXS-12-F-12LB-S1-W66</b>	1104		
	M22x1,5	15L	109,5	27	<b>UX10-1-N1522S</b>	513		
			4,31	1,06	<b>QRC-UXS-12-F-15LB-S1-W66</b>	1129		
	M26x1,5	18L	109,5	27	<b>UX10-1-N1826S</b>	527		
			4,31	1,06	<b>QRC-UXS-12-F-18LB-S1-W66</b>	1159		

**Dust Cover Clips:** Please see page 294.


**Series UX 10 ▪ BG 3 ▪ Nominal Size 12,5**

**Working Pressure**

250 bar / 25 MPa / 3626 PSI

**Burst Pressure**

1000 bar / 100 MPa / 14500 PSI (Female Body)

1000 bar / 100 MPa / 14500 PSI (Male Tip)

1000 bar / 100 MPa / 14500 PSI (Connected)

The indicated pressure ratings only apply to the coupling itself and depend on the connection type.

**Material**

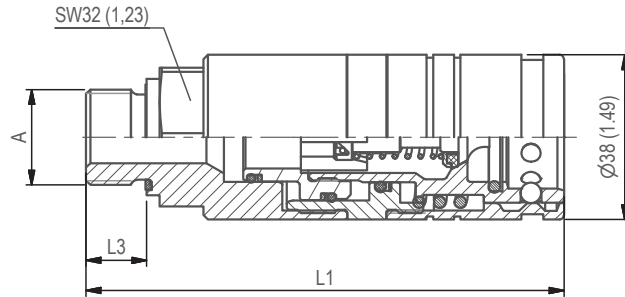
Steel

**Surface Finishing**

Zinc-Plating and Thick-Film-Passivation (Chrome III)

**Standard Seal Material(s)**

NBR (Buna-N®), PTFE, PU



Dimensions acc. to ISO 7241-1, series A, size 12,5.

SW: Width across flats. All dimensions in mm (inch).

Port A	Dimensions ( <sup>mm</sup> / <sub>in</sub> )					Female Body	Weight		
	ØD2	L1	L2	L3	L4	VOSWINKEL Part Numbers	( <sup>g</sup> / <sub>oz</sub> ) ca.		
						STAUFF Ordering Codes	per pc.		
<b>Male Thread according to EN ISO 9974-2, DIN 3852 T11 Form E</b>									
	M22x1,5		110,3		14	<b>UX10-1-AME22L</b>	596		
			4.34		.55	<b>QRC-UXL-12-F-M22MWD-S1-W66-SM</b>	1311.20		
<b>Male Thread according to ISO 6149, DIN 3852 T3, Form C</b>									
	M18x1,5		110,8		14	<b>UX10-1-AMF18L</b>	619		
			4.36		.55	<b>QRC-UXL-12-F-M18MOR-S1-W66-SM</b>	1361.80		
	M22 x 1,5		110,8		14	<b>UX10-1-AMF22L</b>	596		
			4.36		.55	<b>QRC-UXL-12-F-M22MOR-S1-W66-SM</b>	1311.20		
<b>Male Thread with 24° Conical Bore - Bulkhead - Shape W according to DIN 3861</b>									
	M18x1,5	12L	121,5		26	<b>UX10-1-N1218L</b>	602		
			4.78		1.02	<b>QRC-UXL-12-F-12LB-S1-W66</b>	1324.40		
	M22 x 1,5	15L	123,5		26	<b>UX10-1-N1522L</b>	629		
			4.86		1.02	<b>QRC-UXL-12-F-15LB-S1-W66</b>	1383.80		
<b>Female Thread according to ISO 1179 - ANSI B 1.20.3 - SAE J1926-1</b>									
	G1/2"		107,3		15	<b>UX10-1-IGF08L</b>	604		
			4.22		.59	<b>QRC-UXL-12-F-G08-S1-W66</b>	1328.80		
	NPTF 1/2"-14		107,3			<b>UX10-1-INF08L</b>	608		
			4.22			<b>QRC-UXL-12-F-NF08-S1-W66</b>	1337.60		
	UNF 3/4"-16		107,3		14	<b>UX10-1-UNF08L</b>	609		
		4.22		.55	<b>QRC-UXL-12-F-U08-S1-W66</b>	1339.80			
<b>Banjo screw for banjos according to DIN 7643</b>									
M22x1,5	18		134,8		39	<b>UX10-1-X0001L</b>	612		
			5.31		1.54	<b>QRC-UXL-12-F-BS22-S1-W66</b>	1346.40		

**Dust Cover Clips:** Please see page 294.



Series IA - Characteristics	36 - 37	Series IA 38 - BG 12 - Nominal Size 38	44
Series IA 06 - BG 1 - Nominal Size 6,3	38	Series IA 51 - BG 14 - Nominal Size 51	45
Series IA 10 - BG 2 - Nominal Size 10	39	Series IA - Dust Protection	46
Series IA 12 - BG 3 - Nominal Size 12,5	40		
Series IA 19 - BG 6 - Nominal Size 19	41		
Series IA 25 - BG 8 - Nominal Size 25	42		
Series IA 31 - BG 10 - Nominal Size 31	43		

**IA**



## Series IA ▪ Characteristics

### Description

- Quick release coupling
- Dimensions according to ISO 7241-1, series A
- Valve design: double shut-off
- Version: no push-pull
- Connection under pressure: not permissible
- Interchangeable to HP series

### Working Pressure

160 ... 350 bar / 16 ... 35 MPa / 2320 ... 5075 PSI

The indicated pressure ratings only apply to the coupling itself and depend on the connection type.

### Working Temperature

-25° C ... +100° C / -13° F ... +212° F

### Material

Steel

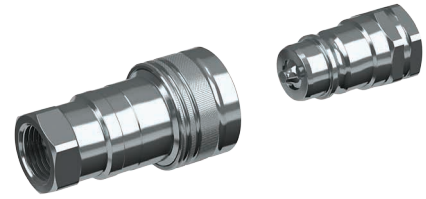
### Surface Finishing

Zinc-Plating and Thick-Film-Passivation (Chrome III)

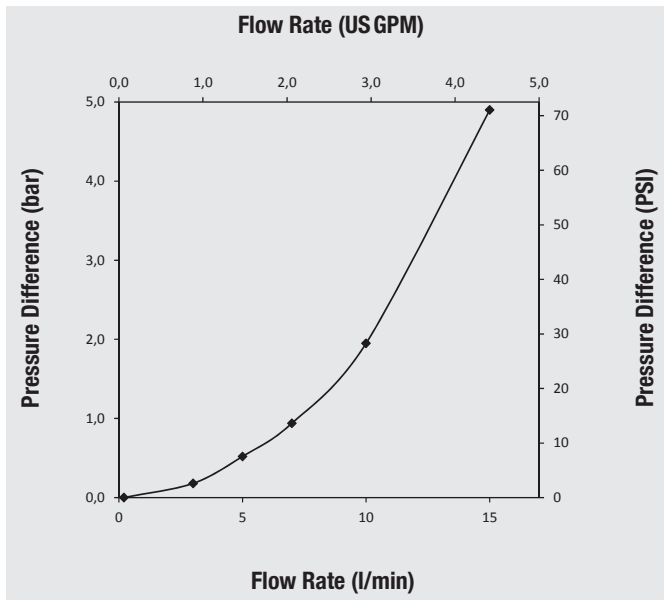
### Standard Seal Material(s)

NBR (Buna-N®)

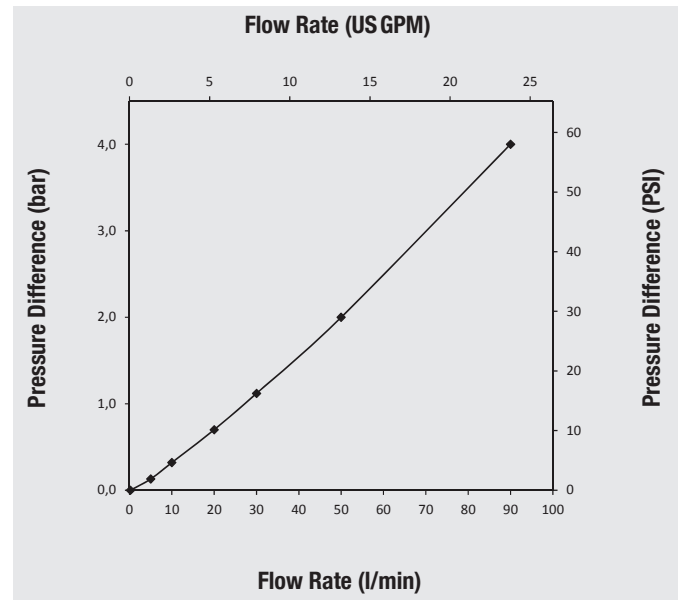
Alternative seal materials are available on request.



## Series IA 06 ▪ BG 1 ▪ Nominal Size 6,3

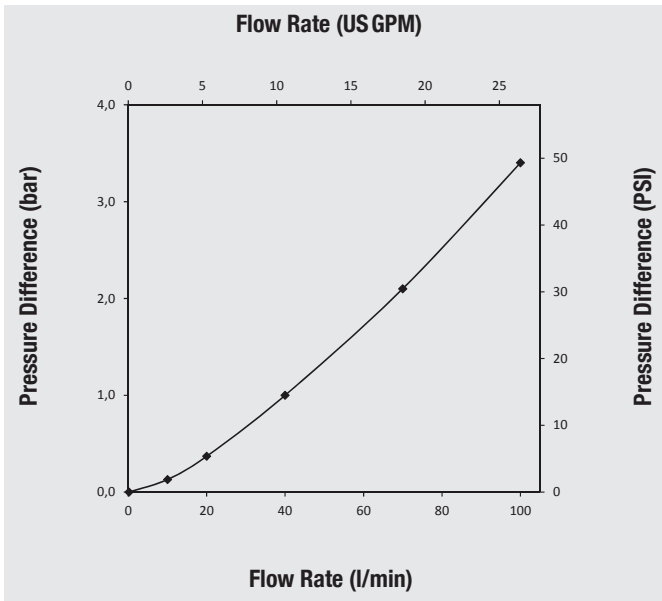
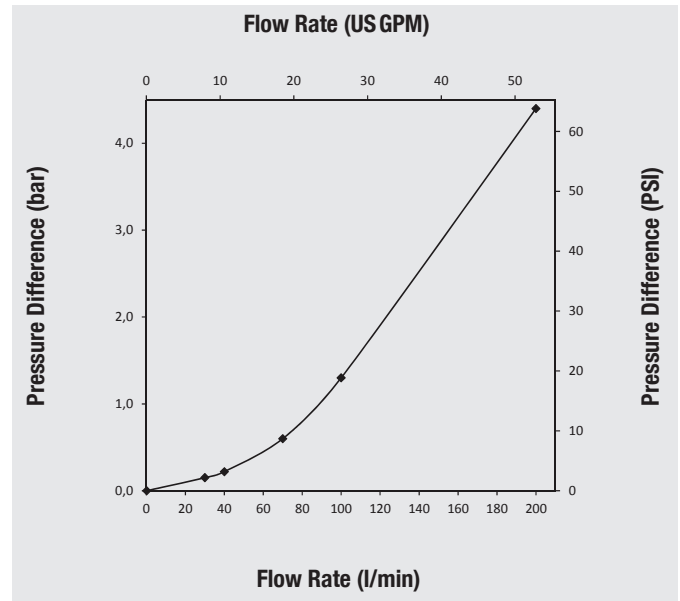
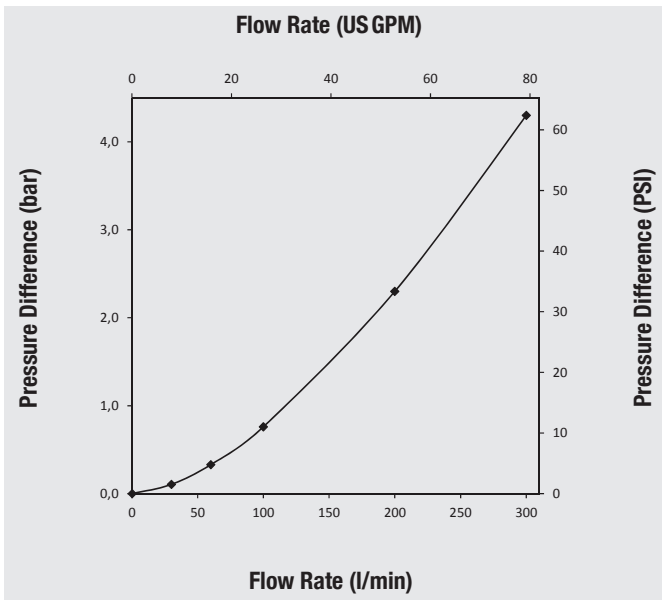
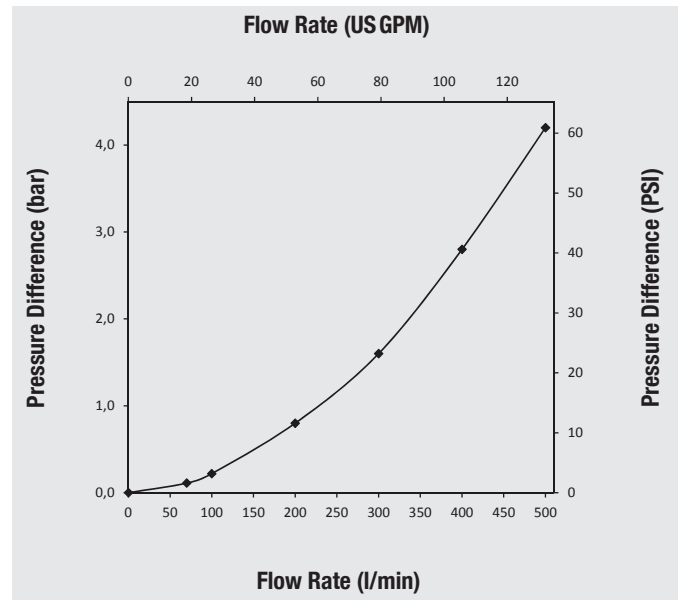
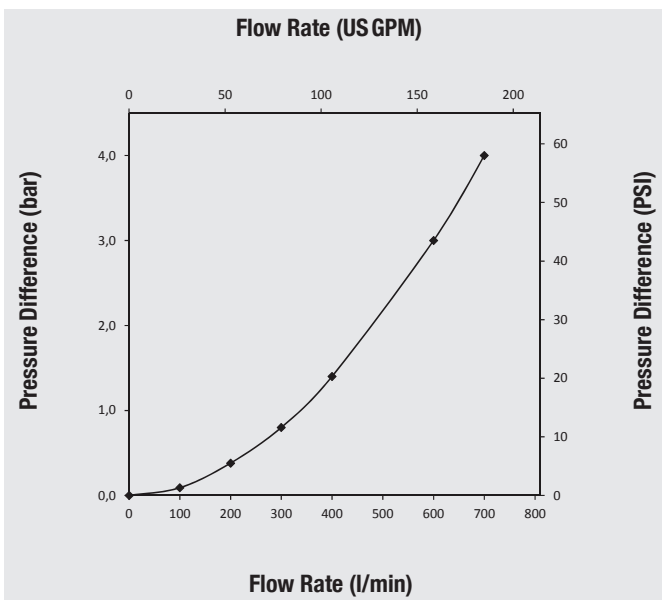
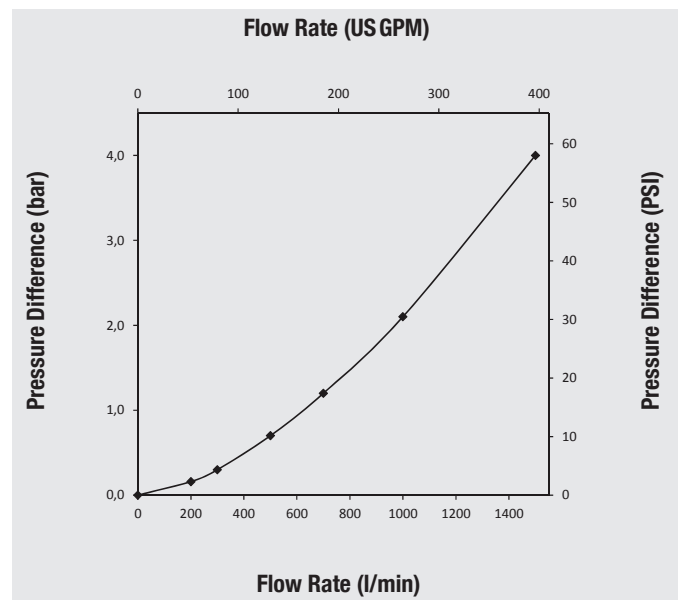


## Series IA 10 ▪ BG 2 ▪ Nominal Size 10



Please note: Unless otherwise stated, all flow characteristics have been determined with hydraulic oil with a kinematic viscosity of 36 mm<sup>2</sup>/s (36 cSt) and are only valid for components with non-reducing connections.



**Series IA 12 ▪ BG 3 ▪ Nominal Size 12,5**

**Series IA 19 ▪ BG 6 ▪ Nominal Size 19**

**Series IA 25 ▪ BG 8 ▪ Nominal Size 25**

**Series IA 31 ▪ BG 10 ▪ Nominal Size 31**

**Series IA 38 ▪ BG 12 ▪ Nominal Size 38**

**Series IA 51 ▪ BG 14 ▪ Nominal Size 51**




**Series IA 06 ▪ BG 1 ▪ Nominal Size 6,3**

**Working Pressure**

350 bar / 35 MPa / 5076 PSI

**Burst Pressure**

1700 bar / 170 MPa / 24657 PSI (Female Body)  
 1500 bar / 150 MPa / 21756 PSI (Male Tip)  
 1400 bar / 140 MPa / 20306 PSI (Connected)

The indicated pressure ratings only apply to the coupling itself and depend on the connection type.

**Material**

Steel

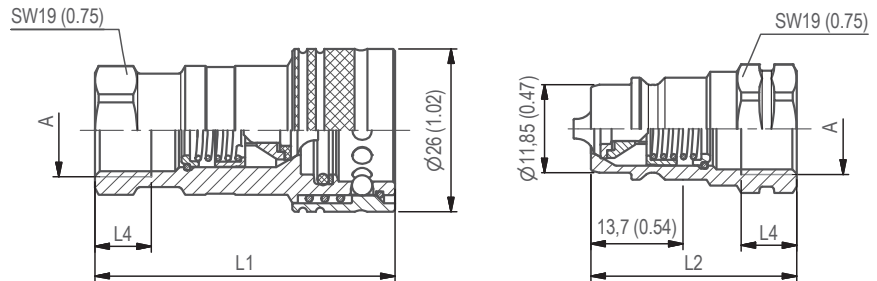
**Surface Finishing**

Zinc-Plating and Thick-Film-Passivation (Chrome III)

**Standard Seal Material(s)**

NBR (Buna-N®)

Dimensions acc. to ISO 7241-1, series A.



SW: Width across flats. All dimensions in mm (inch). Drawing similar series IA 12.

Port A	Dimensions ( <sup>mm</sup> / <sub>in</sub> )	Female Body				Weight ( <sup>g</sup> / <sub>oz</sub> ) ca. per pc.	Male Tip		Weight ( <sup>g</sup> / <sub>oz</sub> ) ca. per pc.
		ØD2	L1	L2	L3		VOSWINKEL Part Numbers	VOSWINKEL Part Numbers	
Female Thread according to DIN 3852 - ANSI B 1.20.3									
	G1/4"	49,2	35		12	IA06-1-IGF04	106	IA06-2-IGF04	37
		1.94	1.38		0.47	QRC-IA-06-F-NF04-BT-W66I	233.20	QRC-IA-06-M-G04-B-W66I	81.40
	NPTF 1/4" -18	49,2	35			IA06-1-INF04	107	IA06-2-INF04	38
		1.94	1.38			QRC-IA-06-F-NF04-BT-W66I	235.40	QRC-IA-06-M-NF04-B-W66I	83.60
Female Thread according to SAE J 1926-1									
	UNF 9/16" -18	49,2	35		12,7	IA06-1-IUF06	102	IA06-2-IUF06	34
		1.94	1.38		0.5	QRC-IA-06-F-U06-BT-W66I	224.40	QRC-IA-06-M-U06-B-W66I	74.80



**Series IA 10 ▪ BG 2 ▪ Nominal Size 10**
**IA**
**Working Pressure**

350 bar / 35 MPa / 5076 PSI

**Burst Pressure**

1500 bar / 150 MPa / 21756 PSI (Female Body)

1400 bar / 140 MPa / 20306 PSI (Male Tip)

1500 bar / 150 MPa / 21756 PSI (Connected)

The indicated pressure ratings only apply to the coupling itself and depend on the connection type.

**Material**

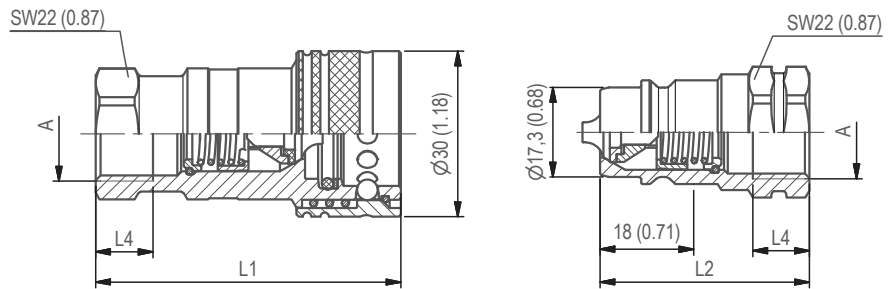
Steel

**Surface Finishing**

Zinc-Plating and Thick-Film-Passivation (Chrome III)

**Standard Seal Material(s)**

NBR (Buna-N®)



Dimensions acc. to ISO 7241-1, series A.

SW: Width across flats. All dimensions in mm (inch). Drawing similar series IA 12.

Port A	Dimensions (mm/in)				Female Body		Weight	Male Tip		Weight
	ØD2	L1	L2	L3	L4 min	VOSWINKEL Part Numbers STAUFF Ordering Codes	( <sup>g</sup> /oz) ca. per pc.	VOSWINKEL Part Numbers STAUFF Ordering Codes	( <sup>g</sup> /oz) ca. per pc.	
<b>Female Thread according to DIN 3852 - ANSI B 1.20.3</b>										
	G 3/8"	60,5	42,5		12	IA10-1-IGF06	155	IA10-2-IGF06	59	
			2.38	1.67		0.47	QRC-IA-10-F-G06-BT-W66I	341.00	QRC-IA-10-M-G06-B-W66I	129.80
	NPTF 3/8" -18	60,5	42,5			IA10-1-INF06	156	IA10-2-INF06	60	
			2.38	1.67			QRC-IA-10-F-NF06-BT-W66I	343.20	QRC-IA-10-M-NF06-B-W66I	132.00
<b>Female Thread according to SAE J 1926-1</b>										
	UNF 9/16" -18	60,5	42,5		12,7	IA10-1-IUF06	175	IA10-2-IUF06	79	
			2.38	1.67		0.5	QRC-IA-10-F-U06-BT-W66I	385.00	QRC-IA-10-M-U06-B-W66I	173.80
	UNF 3/4" -16	60,5	42,5		14,3	IA10-1-IUF08	184	IA10-2-IUF08	63	
			2.38	1.67		0.56	QRC-IA-10-F-U08-BT-W66I	404.80	QRC-IA-10-M-U08-B-W66I	138.60



**Series IA 12 ▪ BG 3 ▪ Nominal Size 12,5**

**Working Pressure**

250 bar / 25 MPa / 3626 PSI

**Burst Pressure**

1400 bar / 140 MPa / 20306 PSI (Female Body)  
 1000 bar / 100 MPa / 14504 PSI (Male Tip)  
 1200 bar / 120 MPa / 17405 PSI (Connected)

The indicated pressure ratings only apply to the coupling itself and depend on the connection type.

**Material**

Steel

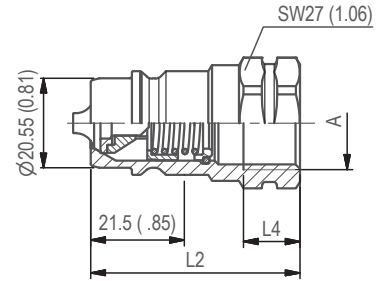
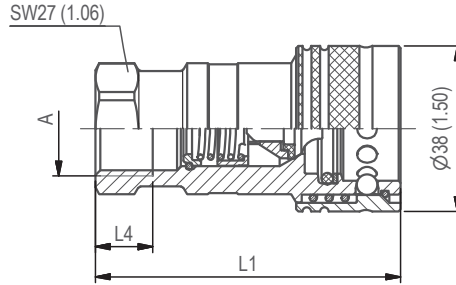
**Surface Finishing**

Zinc-Plating and Thick-Film-Passivation (Chrome III)

**Standard Seal Material(s)**

NBR (Buna-N®)

Dimensions acc. to ISO 7241-1, series A.



SW: Width across flats. All dimensions in mm (inch).

Port A	Dimensions (mm/in)				Female Body VOSWINKEL Part Numbers STAUFF Ordering Codes		Weight ( <sup>g</sup> /oz) ca. per pc.	Male Tip VOSWINKEL Part Numbers STAUFF Ordering Codes		Weight ( <sup>g</sup> /oz) ca. per pc.
	ØD2	L1	L2	L3	L4 min					
<b>Female Thread according to DIN 3852 - ANSI B 1.20.3 - ISO 9974-1</b>										
	G 1/2"	70	48		14	IA12-1-IGF08	268	IA12-2-IGF08	97	
		2.76	1.89		.55	QRC-IA-12-F-G08-BT-W66I	589.60	QRC-IA-12-M-G08-B-W66I	213.40	
	NPTF 1/2" -14	70	48			IA12-1-INF08	269	IA12-2-INF08	98	
		2.76	1.89			QRC-IA-12-F-NF08-BT-W66I	591.80	QRC-IA-12-M-NF08-B-W66I	215.60	
	NPTF 3/4" -14	70	48			IA12-1-INF12	353	IA12-2-INF12	98	
		2.76	1.89			QRC-IA-12-F-NF12-BT-W66I	776.60	QRC-IA-12-M-NF12-B-W66I	215.60	
<b>Female Thread according to SAE J 1926-1</b>										
	M22x1,5	70	48		15,5	IA12-1-IMF22	260	IA12-2-IMF22	90	
		2.76	1.89		.61	QRC-IA-12-F-M22-BT-W66I	572.00	QRC-IA-12-M-M22-B-W66I	198.00	
	UNF 3/4" -16	70	48		14,3	IA12-1-IUF08	274	IA12-2-IUF08	101	
		2.76	1.89		.56	QRC-IA-12-F-U08-BT-W66I	602.80	QRC-IA-12-M-U08-B-W66I	222.20	
	UNF 7/8" -14	70	48		16,7	IA12-1-IUF10	260	IA12-2-IUF10	101	
		2.76	1.89		.66	QRC-IA-12-F-U10-BT-W66I	572.00	QRC-IA-12-M-U10-B-W66I	222.20	



**Series IA 19 ▪ BG 6 ▪ Nominal Size 19**
**IA**
**Working Pressure**

250 bar / 25 MPa / 3626 PSI

**Burst Pressure**

1500 bar / 150 MPa / 21756 PSI (Female Body)

900 bar / 90 MPa / 13054 PSI (Male Tip)

1000 bar / 100 MPa / 14504 PSI (Connected)

The indicated pressure ratings only apply to the coupling itself and depend on the connection type.

**Material**

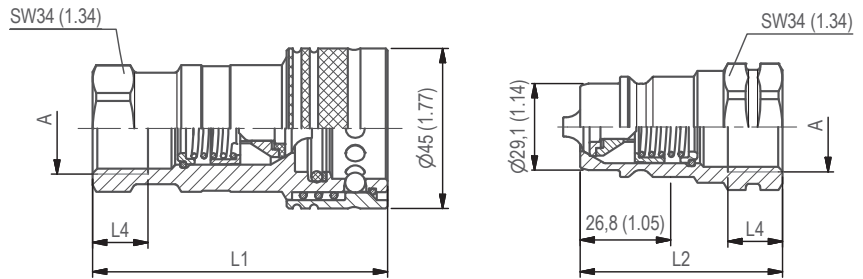
Steel

**Surface Finishing**

Zinc-Plating and Thick-Film-Passivation (Chrome III)

**Standard Seal Material(s)**

NBR (Buna-N®)



Dimensions acc. to ISO 7241-1, series A.

SW: Width across flats. All dimensions in mm (inch). Drawing similar series IA 12.

Port A	Dimensions (mm/in)	Female Body				Weight ( <sup>g</sup> /oz) ca. per pc.	Male Tip		Weight ( <sup>g</sup> /oz) ca. per pc.	
		ØD2	L1	L2	L3		VOSWINKEL Part Numbers	VOSWINKEL Part Numbers		
					L4 min		STAUFF Ordering Codes	per pc.	STAUFF Ordering Codes	per pc.
Female Thread according to DIN 3852 - ANSI B 1.20.3										
	G 3/4"	84,3	57		16	IA19-1-IGF12	428	IA19-2-IGF12	180	
		3.32	2.24		0.63	QRC-IA-19-F-G12-BT-W66I	941.60	QRC-IA-19-M-G12-B-W66I	396.00	
	NPTF 3/4" -14	84,3	57			IA19-1-INF12	434	IA19-2-INF12	186	
		3.32	2.24			QRC-IA-19-F-NF12-BT-W66I	954.80	QRC-IA-19-M-NF12-B-W66I	409.20	



**Series IA 25 ▪ BG 8 ▪ Nominal Size 25**

**Working Pressure**

200 bar / 20 MPa / 2901 PSI

**Burst Pressure**

1000 bar / 100 MPa / 14500 PSI (Female Body)  
 1300 bar / 130 MPa / 13054 PSI (Male Tip)  
 1000 bar / 100 MPa / 14500 PSI (Connected)

The indicated pressure ratings only apply to the coupling itself and depend on the connection type.

**Material**

Steel

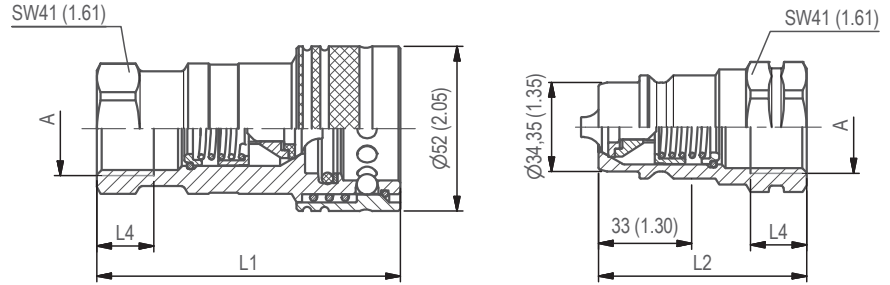
**Surface Finishing**

Zinc-Plating and Thick-Film-Passivation (Chrome III)

**Standard Seal Material(s)**

NBR (Buna-N®)

Dimensions acc. to ISO 7241-1, series A.



SW: Width across flats. All dimensions in mm (inch). Drawing similar series IA 12.

Port A	Dimensions ( <sup>mm</sup> / <sub>in</sub> )				Female Body		Weight	Male Tip		Weight
	ØD2	L1	L2	L3	L4 min	VOSWINKEL Part Numbers	( <sup>g</sup> / <sub>oz</sub> ) ca.	VOSWINKEL Part Numbers	( <sup>g</sup> / <sub>oz</sub> ) ca.	
Female Thread according to DIN 3852 - ANSI B 1.20.3						STAUFF Ordering Codes	per pc.	STAUFF Ordering Codes	per pc.	
	G 1"	101	67,5		18	IA25-1-IGF16	700	IA25-2-IGF16	304	
		3.98	2.66		0.71	QRC-IA-25-F-G16-BT-W66I	1540.00	QRC-IA-25-M-G16-B-W66I	668.80	
	NPTF 1" -11 1/2	101	67,5			IA25-1-INF16	708	IA25-2-INF16	313	
		3.98	2.66			QRC-IA-25-F-NF16-BT-W66I	1557.60	QRC-IA-25-M-NF16-B-W66I	688.60	





**Series IA 31 ▪ BG 10 ▪ Nominal Size 31**
**IA**
**Working Pressure**

200 bar / 20 MPa / 2901 PSI

**Burst Pressure**

850 bar / 85 MPa / 15954 PSI (Female Body)

1100 bar / 110 MPa / 13054 PSI (Male Tip)

1000 bar / 100 MPa / 14504 PSI (Connected)

The indicated pressure ratings only apply to the coupling itself and depend on the connection type.

**Material**

Steel

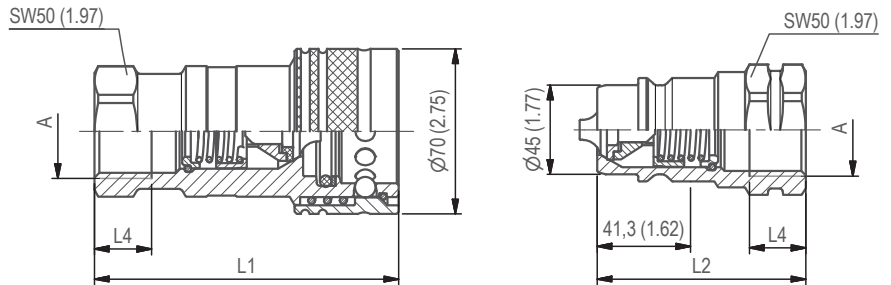
**Surface Finishing**

Zinc-Plating and Thick-Film-Passivation (Chrome III)

**Standard Seal Material(s)**

NBR (Buna-N®)

Dimensions acc. to ISO 7241-1, series A.



SW: Width across flats. All dimensions in mm (inch). Drawing similar series IA 12.

Port A	Dimensions (mm/in)				Female Body		Weight	Female Body with Dust Cap		Weight
	ØD2	L1	L2	L3	L4 min	VOSWINKEL Part Numbers STAUFF Ordering Codes	( <sup>g</sup> /oz) ca. per pc.	VOSWINKEL Part Numbers STAUFF Ordering Codes	( <sup>g</sup> /oz) ca. per pc.	
Female Thread according to DIN 3852 - ANSI B 1.20.3										
	G 1 1/4"	116,9	75		20	IA31-1-IGF20	1515	IA31-2-IGF20	559	
		4.60	2.95		0.79	QRC-IA-31-F-G20-BT-W66I	3333.00	QRC-IA-31-M-G20-B-W66I	1229.80	
	NPTF 1 1/4" -11 1/2	116,9	75			IA31-1-INF20	1532	IA31-2-INF20	572	
		4.60	2.95			QRC-IA-31-F-NF20-BT-W66I	3370.40	QRC-IA-31-M-NF20-B-W66I	1258.40	



**Series IA 38 • BG 12 • Nominal Size 38**

**Working Pressure**

190 bar / 19 MPa / 2756 PSI

**Burst Pressure**

800 bar / 80 MPa / 11603 PSI (Female Body)  
 800 bar / 80 MPa / 11603 PSI (Male Tip)  
 820 bar / 82 MPa / 11893 PSI (Connected)

The indicated pressure ratings only apply to the coupling itself and depend on the connection type.

**Material**

Steel

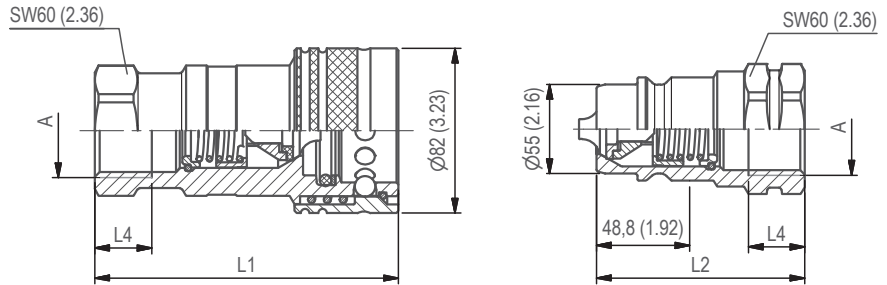
**Surface Finishing**

Zinc-Plating and Thick-Film-Passivation (Chrome III)

**Standard Seal Material(s)**

NBR (Buna-N®)

Dimensions acc. to ISO 7241-1, series A.



SW: Width across flats. All dimensions in mm (inch). Drawing similar series IA 12.

Port A	Dimensions ( <sup>mm</sup> / <sub>in</sub> )				Female Body		Weight	Male Tip		Weight
	ØD2	L1	L2	L3	L4 min	VOSWINKEL Part Numbers	( <sup>g</sup> / <sub>oz</sub> ) ca.	VOSWINKEL Part Numbers	( <sup>g</sup> / <sub>oz</sub> ) ca.	
						STAUFF Ordering Codes	per pc.	STAUFF Ordering Codes	per pc.	
Female Thread according to DIN 3852 - ANSI B 1.20.3										
	G 1 1/2"	133	83,5		22	IA38-1-IGF24	2445	IA38-2-IGF24	918	
		5.24	3.29		0.87	QRC-IA-38-F-G24-BT-W66I	5379.00	QRC-IA-38-M-G24-B-W66I	2019.60	
	NPTF 1 1/2" -11 1/2	133	83,5			IA38-1-INF24	2464	IA38-2-INF24	938	
		5.24	3.29			QRC-IA-38-F-NF24-BT-W66I	5420.80	QRC-IA-38-M-NF24-B-W66I	2063.60	



**Series IA 51 ▪ BG 14 ▪ Nominal Size 51**
**IA**
**Working Pressure**

160 bar / 16 MPa / 2321 PSI

**Burst Pressure**

960 bar / 96 MPa / 13924 PSI (Female Body)

650 bar / 65 MPa / 9428 PSI (Male Tip)

1000 bar / 100 MPa / 14504 PSI (Connected)

The indicated pressure ratings only apply to the coupling itself and depend on the connection type.

**Material**

Steel

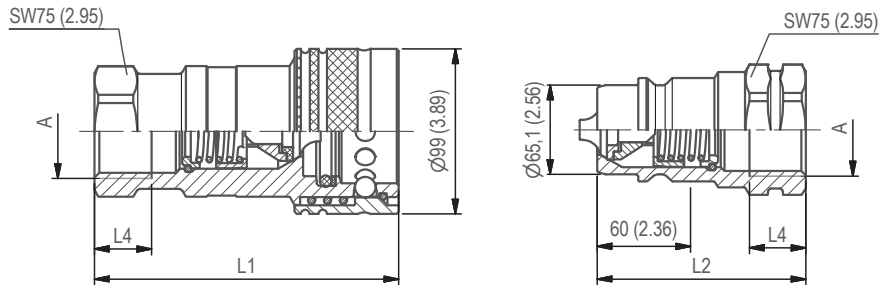
**Surface Finishing**

Zinc-Plating and Thick-Film-Passivation (Chrome III)

**Standard Seal Material(s)**

NBR (Buna-N®)

Dimensions acc. to ISO 7241-1, series A.



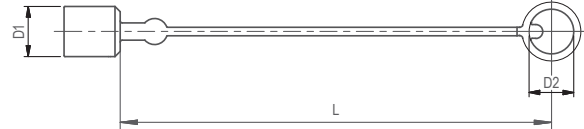
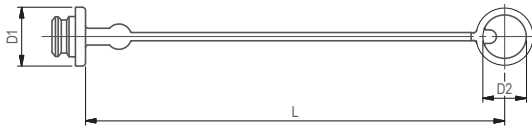
SW: Width across flats. All dimensions in mm (inch). Drawing similar series IA 12.

Port A	Dimensions (mm/in)				Female Body		Weight	Female Body with Dust Cap		Weight
	ØD2	L1	L2	L3	L4 min	VOSWINKEL Part Numbers STAUFF Ordering Codes	( <sup>g</sup> /oz) ca. per pc.	VOSWINKEL Part Numbers STAUFF Ordering Codes	( <sup>g</sup> /oz) ca. per pc.	
Female Thread according to DIN 3852 - ANSI B 1.20.3										
	G 2"	169	108		24	IA51-1-IGF32	5000	IA51-2-IGF32	1804	
		6.65	4.25		0.94	QRC-IA-51-F-G32-BT-W66I	11000.00	QRC-IA-51-M-G32-B-W66I	3968.80	
	NPTF 2" -11 1/2	169	108			IA51-1-INF32	5010	IA51-2-INF32	1820	
		6.65	4.25			QRC-IA-51-F-NF32-BT-W66I	11022.00	QRC-IA-51-M-NF32-B-W66I	4004.00	



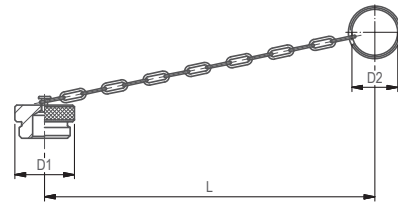
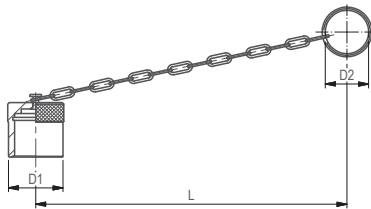
Series IA - Dust Protection

IA



Dimensions (mm/in)			Material	Dust Cap for Male Tip	
D1	D2	L		VOSWINKEL Part Numbers	STAUFF Ordering Codes
11	6	110	Plastic (Colour: Red)	IA06-0-RT001	QRC-IA-06-DM-6-KI-RD
.43	.24	4.33		QRC-IA-06-DM-6-KI-RD	
24	22	220	Plastic (Colour: Red)	IA10-0-RT001	QRC-IA-10-DM-22-KI-RD
.93	.87	8.66		QRC-IA-10-DM-22-KI-RD	
29	26	250	Plastic (Colour: Red)	IA12-0-RT001	QRC-IA-12-DM-26-KI-RD
1.14	1.02	9.84		QRC-IA-12-DM-26-KI-RD	
36,5	36	270	Plastic (Colour: Red)	IA19-0-RT001	QRC-IA-19-DM-36-KI-RD
1.44	1.42	10.63		QRC-IA-19-DM-36-KI-RD	
36	28	235	Plastic (Colour: Red)	IA25-0-RT001	QRC-IA-25-DM-28-KI-RD
1.42	1.10	9.25		QRC-IA-25-DM-28-KI-RD	

Dimensions (mm/in)			Material	Dust Plug for Female Body	
D1	D2	L		VOSWINKEL Part Numbers	STAUFF Ordering Codes
10	6	110	Plastic (Colour: Red)	IA06-9-RT001	QRC-IA-06-DF-6-KI-RD
.39	.24	4.33		QRC-IA-06-DF-6-KI-RD	
28	22	220	Plastic (Colour: Red)	IA10-9-RT001	QRC-IA-10-DF-22-KI-RD
1.10	.87	8.66		QRC-IA-10-DF-22-KI-RD	
35	26	250	Plastic (Colour: Red)	IA12-9-RT001	QRC-IA-12-DF-26-KI-RD
1.38	1.02	9.84		QRC-IA-12-DF-26-KI-RD	
42	36	270	Plastic (Colour: Red)	IA19-9-RT001	QRC-IA-19-DF-36-KI-RD
1.65	1.42	10.63		QRC-IA-19-DF-36-KI-RD	
41	28	235	Plastic (Colour: Red)	IA25-9-RT001	QRC-IA-25-DF-28-KI-RD
1.61	1.10	9.25		QRC-IA-25-DF-28-KI-RD	



Dimensions (mm/in)			Material	Dust Cap for Male Tip	
D1	D2	L		VOSWINKEL Part Numbers	STAUFF Ordering Codes
19	30	180	Aluminium with chain	IA06-0-SI001	QRC-IA-06-DM-30/CN-W89I-SI
.75	1.18	7.09		QRC-IA-06-DM-30/CN-W89I-SI	
30	33	200	Aluminium with chain	IA10-0-SI001	QRC-IA-10-DM-33/CN-W89I-SI
1.18	1.30	7.87		QRC-IA-10-DM-33/CN-W89I-SI	
38	32	205	Aluminium with chain	IA12-0-SI001	QRC-IA-12-DM-32/CN-W89I-SI
1.50	1.26	8.07		QRC-IA-12-DM-32/CN-W89I-SI	
45	47	275	Aluminium with chain	IA19-0-SI001	QRC-IA-19-DM-47/CN-W89I-SI
1.77	1.85	10.83		QRC-IA-19-DM-47/CN-W89I-SI	
45	41	290	Aluminium with chain	IA25-0-SI001	QRC-IA-25-DM-41/CN-W89I-SI
1.77	1.61	11.42		QRC-IA-25-DM-41/CN-W89I-SI	
70	47	275	Aluminium with chain	IA31-0-SI001	QRC-IA-31-DM-47/CN-W89I-SI
2.76	1.85	10.83		QRC-IA-31-DM-47/CN-W89I-SI	

Dimensions (mm/in)			Material	Dust Plug for Female Body	
D1	D2	L		VOSWINKEL Part Numbers	STAUFF Ordering Codes
19	30	160	Aluminium with chain	IA06-9-SI001	QRC-IA-06-DF-30/CN-W89I-SI
.75	1.18	6.30		QRC-IA-06-DF-30/CN-W89I-SI	
30	33	200	Aluminium with chain	IA10-9-SI001	QRC-IA-10-DF-33/CN-W89I-SI
1.18	1.30	7.87		QRC-IA-10-DF-33/CN-W89I-SI	
38	32	205	Aluminium with chain	IA12-9-SI001	QRC-IA-12-DF-32/CN-W89I-SI
1.50	1.26	8.07		QRC-IA-12-DF-32/CN-W89I-SI	
45	47	275	Aluminium with chain	IA19-9-SI001	QRC-IA-19-DF-47/CN-W89I-SI
1.77	1.85	10.83		QRC-IA-19-DF-47/CN-W89I-SI	
43	41	240	Aluminium with chain	IA25-9-SI001	QRC-IA-25-DF-41/CN-W89I-SI
1.69	1.61	9.45		QRC-IA-25-DF-41/CN-W89I-SI	
70	47	275	Aluminium with chain	IA31-9-SI001	QRC-IA-31-DF-47/CN-W89I-SI
2.76	1.85	10.83		QRC-IA-31-DF-47/CN-W89I-SI	

In addition to the standard colours as stated above, plastic dust caps are also available in blue, green, yellow and black. Please use the VOSWINKEL codes BL, GN, GE and SW respectively instead of RT. Please use the STAUFF codes BU, GN, YE and BK respectively instead of RD.





Series IA-VA ▪ Characteristics	48 - 49	Series IA 38-VA ▪ BG 12 ▪ Nominal Size 38	56
Series IA 06-VA ▪ BG 1 ▪ Nominal Size 6,3	50	Series IA 51-VA ▪ BG 14 ▪ Nominal Size 51	57
Series IA 10-VA ▪ BG 2 ▪ Nominal Size 10	51	Series IA-VA ▪ Dust Protection	58
Series IA 12-VA ▪ BG 3 ▪ Nominal Size 12,5	52		
Series IA 19-VA ▪ BG 6 ▪ Nominal Size 19	53		
Series IA 25-VA ▪ BG 8 ▪ Nominal Size 25	54		
Series IA 31-VA ▪ BG 10 ▪ Nominal Size 31	55		

**IA-VA**


### Series IA-VA ▪ Characteristics

**Description**

- Quick release coupling
- Dimensions according to ISO 7241-1, series A
- Valve design: double shut-off
- Version: no push-pull
- Connection under pressure: not permissible

**Working Pressure**

60 ... 450 bar / 6 ... 45 MPa / 870 ... 6525 PSI

The indicated pressure ratings only apply to the coupling itself and depend on the connection type.

**Working Temperature**

-25° C ... +200° C / -13° F ... +392° F

**Material**

Stainless Steel V4A (AISI 316)

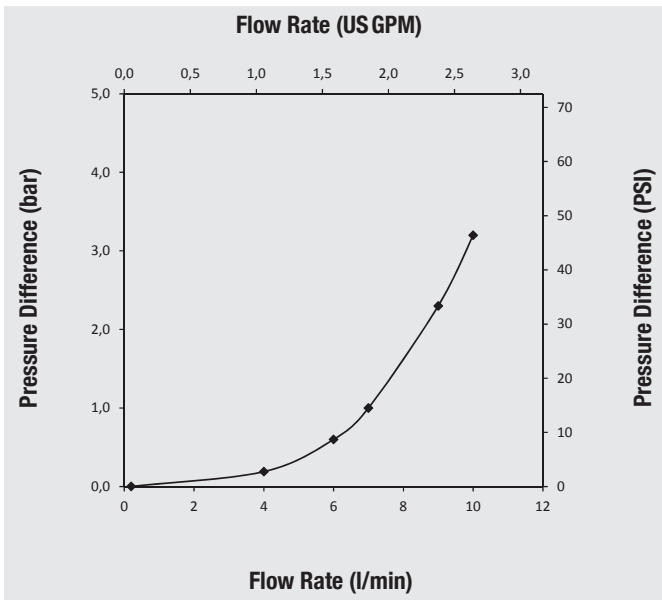
**Standard Seal Material(s)**

FKM (Viton®)

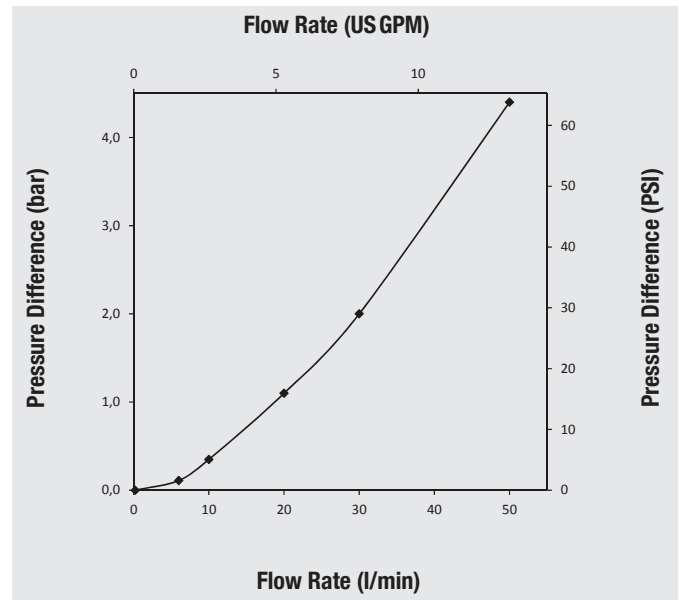


IA-VA

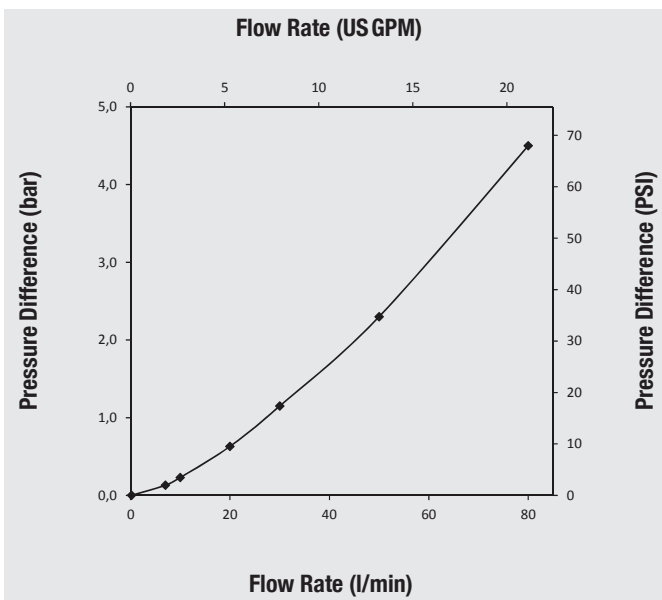
### Series IA 06-VA ▪ BG 1 ▪ Nominal Size 6,3



### Series IA 10-VA ▪ BG 2 ▪ Nominal Size 10



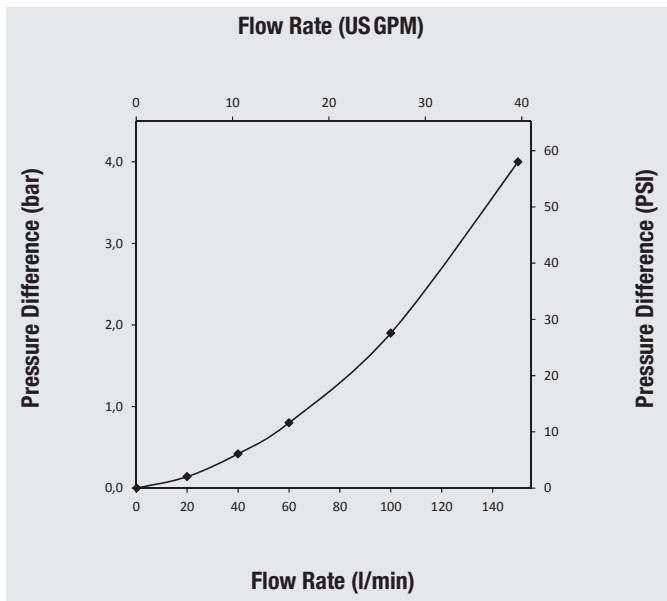
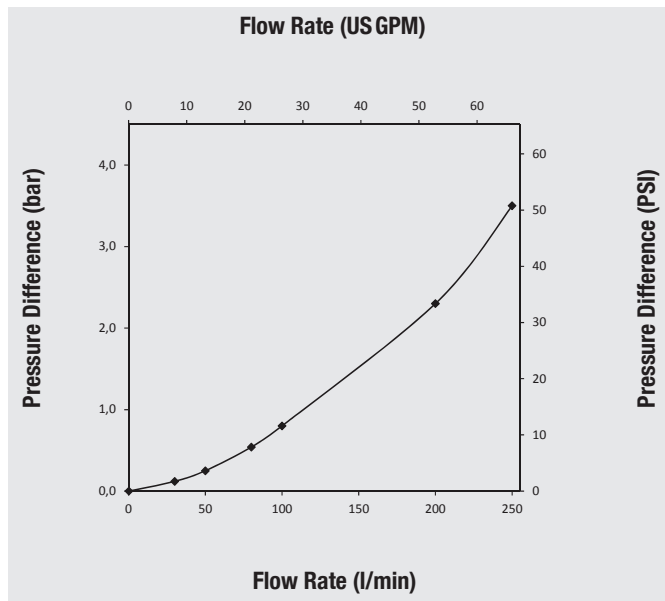
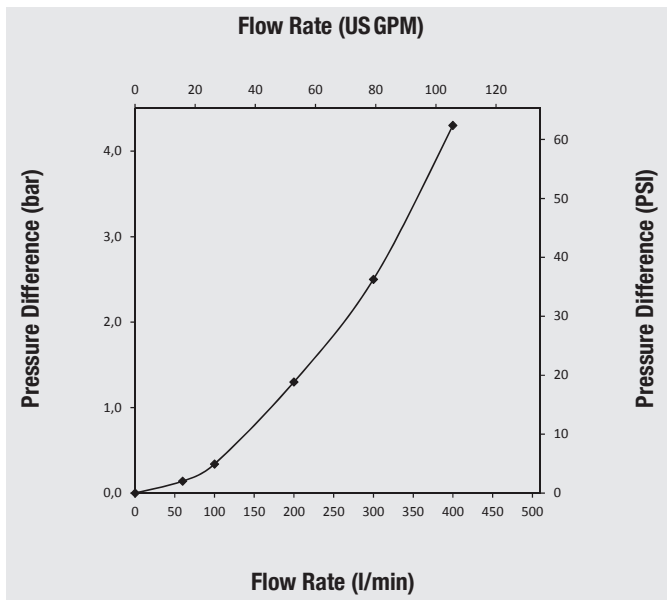
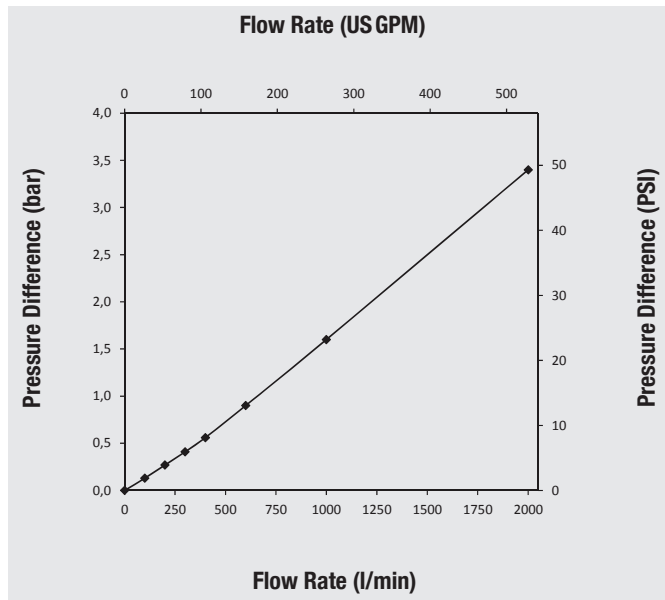
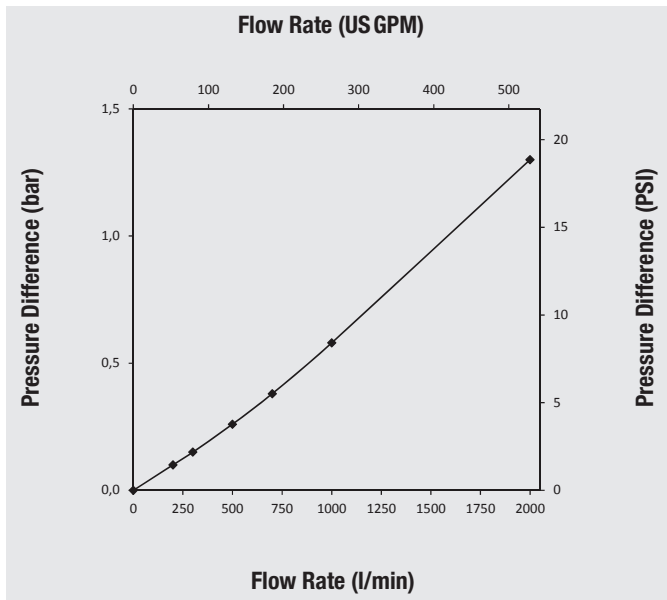
### Series IA 12-VA ▪ BG 3 ▪ Nominal Size 12,5



Please note: Unless otherwise stated, all flow characteristics have been determined with hydraulic oil with a kinematic viscosity of 36 mm<sup>2</sup>/s (36 cSt) and are only valid for components with non-reducing connections.





**Series IA 19-VA ▪ BG 4 ▪ Nominal Size 19**

**Series IA 25-VA ▪ BG 8 ▪ Nominal Size 25**

**IA-VA**
**Series IA 31-VA ▪ BG 10 ▪ Nominal Size 31**

**Series IA 38-VA ▪ BG 12 ▪ Nominal Size 38**

**Series IA 51-VA ▪ BG 14 ▪ Nominal Size 51**


**Series IA 06-VA ▪ BG 1 ▪ Nominal Size 6,3**

**Working Pressure**

450 bar / 45 MPa / 6527 PSI

**Burst Pressure**

2900 bar / 290 MPa / 42062 PSI (Female Body)

3200 bar / 320 MPa / 46413 PSI (Male Tip)

2900 bar / 290 MPa / 42062 PSI (Connected)

**IA-VA**

The indicated pressure ratings only apply to the coupling itself and depend on the connection type.

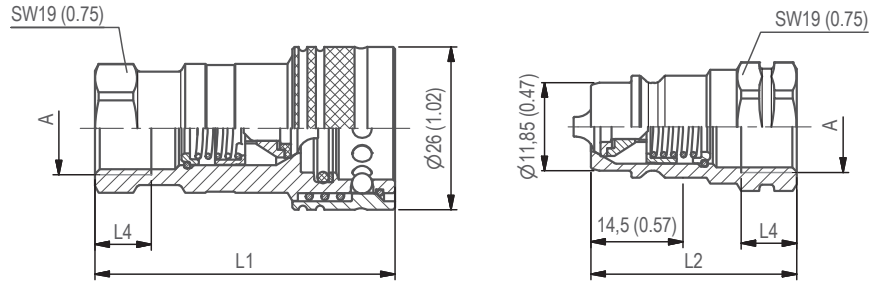
**Material**

Stainless Steel V4A (AISI 316)

**Standard Seal Material(s)**

FKM (Viton®)

Dimensions acc. to ISO 7241-1, series A.



SW: Width across flats. All dimensions in mm (inch). Drawing similar series IA 12-VA.

Port A	Dimensions ( <sup>mm</sup> / <sub>in</sub> )				Female Body		Weight	Male Tip		Weight
	ØD2	L1	L2	L3	L4 min	VOSWINKEL Part Numbers	( <sup>g</sup> / <sub>oz</sub> ) ca.	VOSWINKEL Part Numbers	( <sup>g</sup> / <sub>oz</sub> ) ca.	
Female Thread according to DIN 3852 - ANSI B. 1.20.3						STAUFF Ordering Codes	per pc.	STAUFF Ordering Codes	per pc.	
	G 1/4"	50,5	35,5		12	IA06-1-IGF04-VA	119	IA06-2-IGF04-VA	38	
		1,99	1,40		0,47	QRC-IA-06-F-G04-VT-W5I	261.80	QRC-IA-06-M-G04-V-W5I	83.60	
	NPTF 1/4" -18	50,5	35,5			IA06-1-INF04-VA	120	IA06-2-INF04-VA	39	
		1,99	1,40			QRC-IA-06-F-NF04-VT-W5I	264.00	QRC-IA-06-M-NF04-V-W5I	85.80	



**Series IA 10-VA ▪ BG 2 ▪ Nominal Size 10**
**Working Pressure**

300 bar / 30 MPa / 4351 PSI

**Burst Pressure**

1250 bar / 125 MPa / 18130 PSI (Female Body)

1250 bar / 125 MPa / 18130 PSI (Male Tip)

1300 bar / 130 MPa / 18855 PSI (Connected)

The indicated pressure ratings only apply to the coupling itself and depend on the connection type.

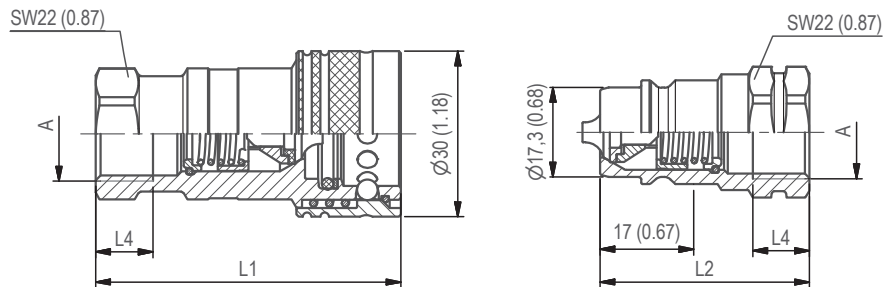
**Material**

Stainless Steel V4A (AISI 316)

**Standard Seal Material(s)**

FKM (Viton®)

Dimensions acc. to ISO 7241-1, series A.



SW: Width across flats. All dimensions in mm (inch). Drawing similar series IA 12-VA.

Port A	Dimensions (mm/in)				Female Body VOSWINKEL Part Numbers		Weight	Male Tip VOSWINKEL Part Numbers		Weight
	ØD2	L1	L2	L3	L4 min	STAUFF Ordering Codes	( <sup>g</sup> /oz) ca. per pc.	STAUFF Ordering Codes	( <sup>g</sup> /oz) ca. per pc.	
Female Thread according to DIN 3852 - ANSI B. 1.20.3										
	G 3/8"	58,5	40,5		12	IA10-1-IGF06-VA	157	IA10-2-IGF06-VA	59	
		2.30	1.59		0.47	QRC-IA-10-F-G06-VT-W5I	345.40	QRC-IA-10-M-G06-V-W5I	129.80	
	NPTF 3/8" -18	58,5	40,5			IA10-1-INF06-VA	158	IA10-2-INF06-VA	60	
		2.30	1.59			QRC-IA-10-F-NF06-VT-W5I	347.60	QRC-IA-10-M-NF06-V-W5I	132.00	



Series IA 12-VA ▪ BG 3 ▪ Nominal Size 12,5

**Working Pressure**

300 bar / 30 MPa / 4351 PSI

**Burst Pressure**

1200 bar / 120 MPa / 17405 PSI (Female Body)

1200 bar / 120 MPa / 17405 PSI (Male Tip)

1350 bar / 135 MPa / 19580 PSI (Connected)

The indicated pressure ratings only apply to the coupling itself and depend on the connection type.

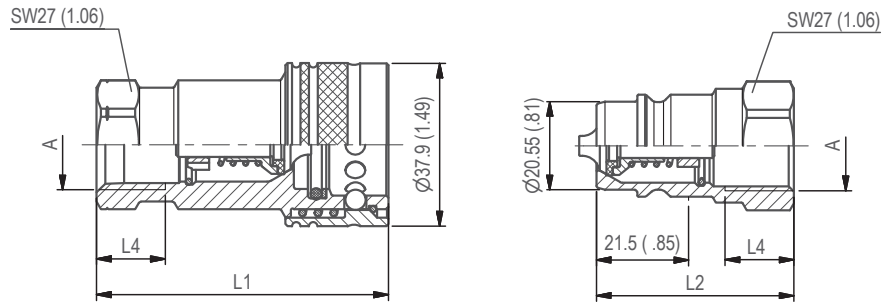
**Material**

Stainless Steel V4A (AISI 316)

**Standard Seal Material(s)**

FKM (Viton®)

Dimensions acc. to ISO 7241-1, series A.



SW: Width across flats. All dimensions in mm (inch).

Port A	Dimensions ( <sup>mm</sup> / <sub>in</sub> )				Female Body		Weight ( <sup>g</sup> / <sub>oz</sub> ) ca. per pc.	Male Tip		Weight ( <sup>g</sup> / <sub>oz</sub> ) ca. per pc.
	ØD2	L1	L2	L3	L4 min	VOSWINKEL Part Numbers		VOSWINKEL Part Numbers	STAUFF Ordering Codes	
Female Thread according to DIN 3852 - ANSI B. 1.20.3										
	G 1/2"	68	46		14	IA12-1-IGF08-VA	295	IA12-2-IGF08-VA	97	
		2.68	1.81		0.55	QRC-IA-12-F-G08-VT-W5I	649.00	QRC-IA-12-M-G08-V-W5I	213.40	
	NPTF 1/2" -14	68	46			IA12-1-INF08-VA	297	IA12-2-INF08-VA	99	
		2.68	1.81			QRC-IA-12-F-NF08-VT-W5I	653.40	QRC-IA-12-M-NF08-V-W5I	217.80	



**Series IA 19-VA ▪ BG 6 ▪ Nominal Size 19**
**Working Pressure**

250 bar / 25 MPa / 3626 PSI

**Burst Pressure**

1000 bar / 100 MPa / 14504 PSI (Female Body)

800 bar / 80 MPa / 11603 PSI (Male Tip)

1100 bar / 110 MPa / 15954 PSI (Connected)

The indicated pressure ratings only apply to the coupling itself and depend on the connection type.

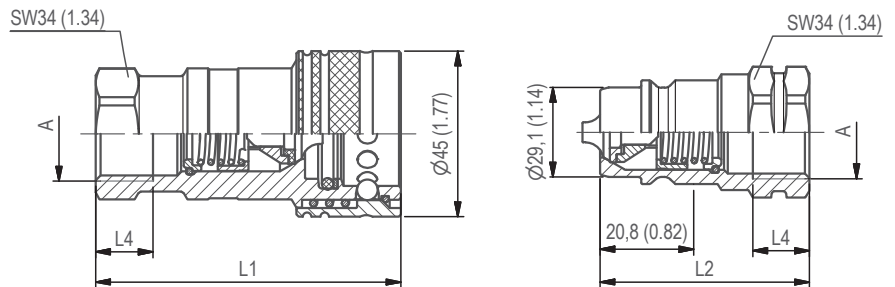
**Material**

Stainless Steel V4A (AISI 316)

**Standard Seal Material(s)**

FKM (Viton®)

Dimensions acc. to ISO 7241-1, series A.



SW: Width across flats. All dimensions in mm (inch). Drawing similar series IA 12-VA.

Port A	Dimensions (mm/in)				Female Body		Weight	Male Tip		Weight
	ØD2	L1	L2	L3	L4 min	VOSWINKEL Part Numbers	( <sup>g</sup> /oz) ca.	VOSWINKEL Part Numbers	( <sup>g</sup> /oz) ca.	
						STAUFF Ordering Codes	per pc.	STAUFF Ordering Codes	per pc.	
Female Thread according to DIN 3852 - ANSI B. 1.20.3										
	G 3/4"	84,3	57		16	IA19-1-IGF12-VA	510	IA19-2-IGF12-VA	165	
		84	2.24		0.63	QRC-IA-19-F-G12-VT-W5I	1122.00	QRC-IA-19-M-G12-V-W5I	363.00	
	NPTF 3/4" -14	84,3	57			IA19-1-INF12-VA	513	IA19-2-INF12-VA	168	
		3.32	2.24			QRC-IA-19-F-NF12-VT-W5I	1128.60	QRC-IA-19-M-NF12-V-W5I	369.60	

**IA-VA**


**Series IA 25-VA • BG 8 • Nominal Size 25**

**Working Pressure**

200 bar / 20 MPa / 2901PSI

**Burst Pressure**

650 bar / 65 MPa / 9428 PSI (Female Body)

600 bar / 60 MPa / 8702 PSI (Male Tip)

850 bar / 85 MPa / 12328 PSI (Connected)

**IA-VA**

The indicated pressure ratings only apply to the coupling itself and depend on the connection type.

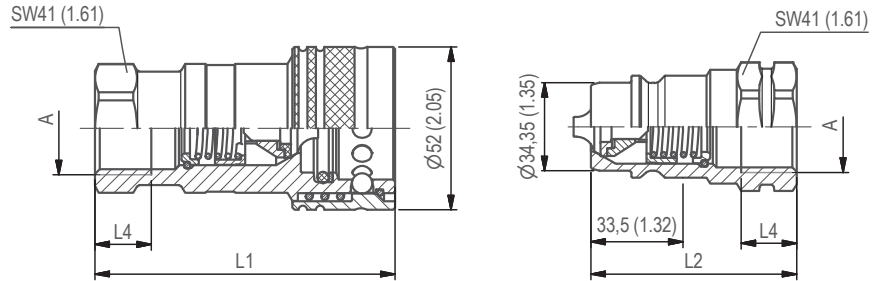
**Material**

Stainless Steel V4A (AISI 316)

**Standard Seal Material(s)**

FKM (Viton®)

Dimensions acc. to ISO 7241-1, series A.



SW: Width across flats. All dimensions in mm (inch). Drawing similar series IA 12-VA.

Port A	Dimensions ( <sup>mm</sup> / <sub>in</sub> )				Female Body		Weight	Male Tip		Weight
	ØD2	L1	L2	L3	L4 min	VOSWINKEL Part Numbers	( <sup>g</sup> / <sub>oz</sub> ) ca.	VOSWINKEL Part Numbers	( <sup>g</sup> / <sub>oz</sub> ) ca.	
Female Thread according to DIN 3852 - ANSI B. 1.20.3										
	G 1"	97	63,5		18	IA25-1-IGF16-VA	636	IA25-2-IGF16-VA	285	
		3.82	2.50		0.71	QRC-IA-25-F-G16-VT-W5I	1399.20	QRC-IA-25-M-G16-V-W5I	627.00	
	NPTF 1" - 1 1/2	97	63,5			IA25-1-INF16-VA	643	IA25-2-INF16-VA	292	
		3.82	2.50			QRC-IA-25-F-NF16-VT-W5I	1414.60	QRC-IA-25-M-NF16-V-W5I	642.40	





**Series IA 31-VA ▪ BG 10 ▪ Nominal Size 31**
**Working Pressure**

100 bar / 10 MPa / 1450 PSI

**Burst Pressure**

400 bar / 40 MPa / 5802 PSI (Female Body)

400 bar / 40 MPa / 5802 PSI (Male Tip)

400 bar / 40 MPa / 5802 PSI (Connected)

The indicated pressure ratings only apply to the coupling itself and depend on the connection type.

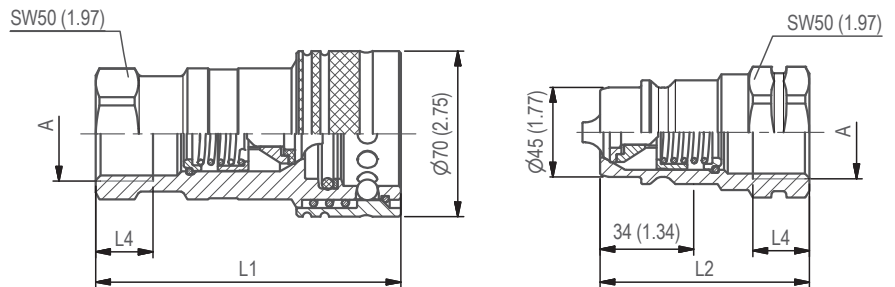
**Material**

Stainless Steel V4A (AISI 316)

**Standard Seal Material(s)**

FKM (Viton®)

Dimensions acc. to ISO 7241-1, series A.



SW: Width across flats. All dimensions in mm (inch). Drawing similar series IA 12-VA.

Port A	Dimensions (mm/in)				Female Body VOSWINKEL Part Numbers		Weight ( <sup>g</sup> / <sub>oz</sub> ) ca. per pc.	Male Tip VOSWINKEL Part Numbers		Weight ( <sup>g</sup> / <sub>oz</sub> ) ca. per pc.
	ØD2	L1	L2	L3	L4 min	STAUFF Ordering Codes		STAUFF Ordering Codes		
Female Thread according to DIN 3852 - ANSI B. 1.20.3										
	G 1 1/4"	115	69		20	IA31-1-IGF20-VA	1470	IA31-2-IGF20-VA	480	
		4.53	2.72		0.79	QRC-IA-31-F-G20-VT-W5I	3234.00	QRC-IA-31-M-G20-V-W5I	1056.00	
	NPTF 1 1/4" -11 1/2	115	69			IA31-1-INF20-VA	1485	IA31-2-INF20-VA	495	
		4.53	2.72			QRC-IA-31-F-NF20-VT-W5I	3267.00	QRC-IA-31-M-NF20-V-W5I	1089.00	

**IA-VA**


**Series IA 38-VA- BG 12 - Nominal Size 38**

**Working Pressure**

80 bar / 8 MPa / 1160 PSI

**Burst Pressure**

320 bar / 32 MPa / 4641 PSI (Female Body)

320 bar / 32 MPa / 4641 PSI (Male Tip)

320 bar / 32 MPa / 4641 PSI (Connected)

**IA-VA**

The indicated pressure ratings only apply to the coupling itself and depend on the connection type.

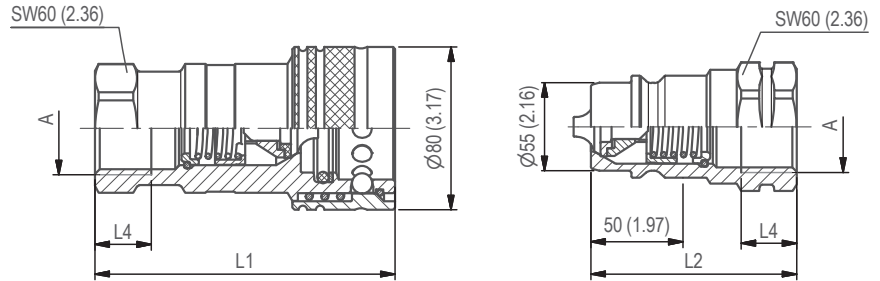
**Material**

Stainless Steel V4A (AISI 316)

**Standard Seal Material(s)**

FKM (Viton®)

Dimensions acc. to ISO 7241-1, series A.



SW: Width across flats. All dimensions in mm (inch). Drawing similar series IA 12-VA.

Port A	Dimensions ( <sup>mm</sup> / <sub>in</sub> )				Female Body		Weight	Male Tip		Weight
	ØD2	L1	L2	L3	L4 min	VOSWINKEL Part Numbers	( <sup>g</sup> / <sub>oz</sub> ) ca.	VOSWINKEL Part Numbers	( <sup>g</sup> / <sub>oz</sub> ) ca.	
						STAUFF Ordering Codes	per pc.	STAUFF Ordering Codes	per pc.	
Female Thread according to DIN 3852 - ANSI B. 1.20.3										
	G 1 1/2"	123	73		22	IA38-1-IGF24-VA	1980	IA38-2-IGF24-VA	738	
		4.84	2.87		0.87	QRC-IA-38-F-G24-VT-W5I	4356.00	QRC-IA-38-M-G24-V-W5I	1623.60	
	NPTF 1 1/2" -11 1/2	123	73			IA38-1-INF24-VA	2020	IA38-2-INF24-VA	870	
		4.84	2.87			QRC-IA-38-F-NF24-VT-W5I	4444.00	QRC-IA-38-M-NF24-V-W5I	1914.00	



**Series IA 51-VA • BG 14 • Nominal Size 51**
**Working Pressure**

60 bar / 6 MPa / 870 PSI

**Burst Pressure**

250 bar / 25 MPa / 3626 PSI (Female Body)

250 bar / 25 MPa / 3626 PSI (Male Tip)

250 bar / 25 MPa / 3626 PSI (Connected)

The indicated pressure ratings only apply to the coupling itself and depend on the connection type.

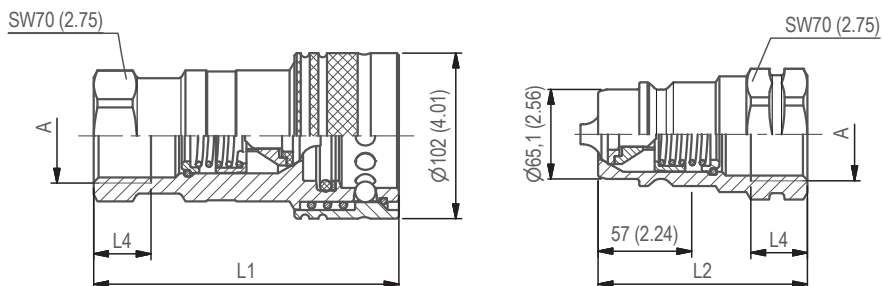
**Material**

Stainless Steel V4A (AISI 316)

**Standard Seal Material(s)**

FKM (Viton®)

Dimensions acc. to ISO 7241-1, series A.



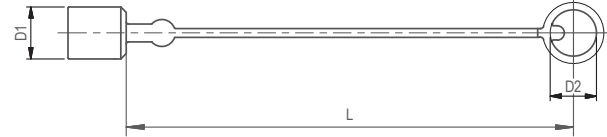
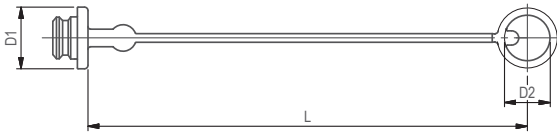
SW: Width across flats. All dimensions in mm (inch). Drawing similar series IA 12-VA.

Port A	Dimensions (mm/in)				Female Body VOSWINKEL Part Numbers		Weight	Male Tip VOSWINKEL Part Numbers		Weight
	ØD2	L1	L2	L3	L4 min	STAUFF Ordering Codes	( <sup>g</sup> /oz) ca. per pc.	STAUFF Ordering Codes	( <sup>g</sup> /oz) ca. per pc.	
Female Thread according to DIN 3852 - ANSI B. 1.20.3										
	G 2"	147	90		24	IA51-1-IGF32-VA	3490	IA51-2-IGF32-VA	1168	
		5.79	3.54		0.94	QRC-IA-51-F-G32-VT-W5I	7678.00	QRC-IA-51-M-G32-V-W5I	2569.60	
	NPTF 2" -11 1/2	147	90			IA51-1-INF32-VA	3500	IA51-2-INF32-VA	1178	
		5.79	3.54			QRC-IA-51-F-NF32-VT-W5I	7700.00	QRC-IA-51-M-NF32-V-W5I	2591.60	



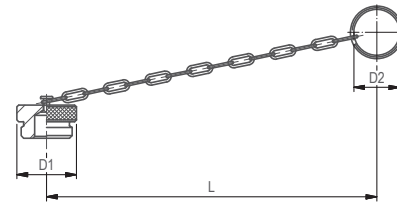
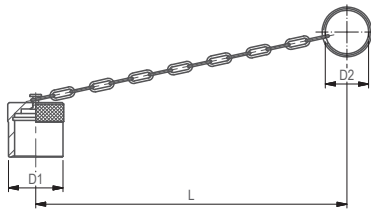
Series IA-VA • Dust Protection

IA-VA



Dimensions (mm/in)			Material	Dust Cap for Male Tip	
D1	D2	L		VOSWINKEL Part Numbers	STAUFF Ordering Codes
11	6	110	Plastic (Colour: Red)	IA06-0-RT001	QRC-IA-06-DM-6-KI-RD
.43	.24	4.33			
24	22	220	Plastic (Colour: Red)	IA10-0-RT001	QRC-IA-10-DM-22-KI-RD
.93	.87	8.66			
29	26	250	Plastic (Colour: Red)	IA12-0-RT001	QRC-IA-12-DM-26-KI-RD
1.14	1.02	9.84			
36,5	36	270	Plastic (Colour: Red)	IA19-0-RT001	QRC-IA-19-DM-36-KI-RD
1.44	1.42	10.63			
36	28	235	Plastic (Colour: Red)	IA25-0-RT001	QRC-IA-25-DM-28-KI-RD
1.42	1.10	9.25			

Dimensions (mm/in)			Material	Dust Plug for Female Body	
D1	D2	L		VOSWINKEL Part Numbers	STAUFF Ordering Codes
10	6	110	Plastic (Colour: Red)	IA06-9-RT001	QRC-IA-06-DF-6-KI-RD
.39	.24	4.33			
28	22	220	Plastic (Colour: Red)	IA10-9-RT001	QRC-IA-10-DF-22-KI-RD
1.10	.87	8.66			
35	26	250	Plastic (Colour: Red)	IA12-9-RT001	QRC-IA-12-DF-26-KI-RD
1.38	1.02	9.84			
42	36	270	Plastic (Colour: Red)	IA19-9-RT001	QRC-IA-19-DF-36-KI-RD
1.65	1.42	10.63			
41	28	235	Plastic (Colour: Red)	IA25-9-RT001	QRC-IA-25-DF-28-KI-RD
1.61	1.10	9.25			



Dimensions (mm/in)			Material	Dust Cap for Male Tip	
D1	D2	L		VOSWINKEL Part Numbers	STAUFF Ordering Codes
19	30	180	Aluminium with chain	IA06-0-SI001	QRC-IA-06-DM-30/CN-W89I-SI
.75	1.18	7.09			
30	33	200	Aluminium with chain	IA10-0-SI001	QRC-IA-10-DM-33/CN-W89I-SI
1.18	1.30	7.87			
38	32	205	Aluminium with chain	IA12-0-SI001	QRC-IA-12-DM-32/CN-W89I-SI
1.50	1.26	8.07			
45	47	275	Aluminium with chain	IA19-0-SI001	QRC-IA-19-DM-47/CN-W89I-SI
1.77	1.85	10.83			
45	41	290	Aluminium with chain	IA25-0-SI001	QRC-IA-25-DM-41/CN-W89I-SI
1.77	1.61	11.42			
70	47	275	Aluminium with chain	IA31-0-SI001	QRC-IA-31-DM-47/CN-W89I-SI
2.76	1.85	10.83			

Dimensions (mm/in)			Material	Dust Plug for Female Body	
D1	D2	L		VOSWINKEL Part Numbers	STAUFF Ordering Codes
19	30	160	Aluminium with chain	IA06-9-SI001	QRC-IA-06-DF-30/CN-W89I-SI
.75	1.18	6.30			
30	33	200	Aluminium with chain	IA10-9-SI001	QRC-IA-10-DF-33/CN-W89I-SI
1.18	1.30	7.87			
38	32	205	Aluminium with chain	IA12-9-SI001	QRC-IA-12-DF-32/CN-W89I-SI
1.50	1.26	8.07			
45	47	275	Aluminium with chain	IA19-9-SI001	QRC-IA-19-DF-47/CN-W89I-SI
1.77	1.85	10.83			
43	41	240	Aluminium with chain	IA25-9-SI001	QRC-IA-25-DF-41/CN-W89I-SI
1.69	1.61	9.45			
70	47	275	Aluminium with chain	IA31-9-SI001	QRC-IA-31-DF-47/CN-W89I-SI
2.76	1.85	10.83			

In addition to the standard colours as stated above, plastic dust caps are also available in blue, green, yellow and black. Please use the VOSWINKEL codes BL, GN, GE and SW respectively instead of RT. Please use the STAUFF codes BU, GN, YE and BK respectively instead of RD.



Series ID ▪ Characteristics	60 - 61
Series ID 06 ▪ BG 1 ▪ Nominal Size 6,3	62
Series ID 10 ▪ BG 2 ▪ Nominal Size 10	63
Series ID 19 ▪ BG 6 ▪ Nominal Size 19	64
Series ID 25 ▪ BG 8 ▪ Nominal Size 25	65
Series ID ▪ Dust Protection	66

**ID**



### Series ID ▪ Characteristics

**Description**

- Quick release coupling
- Valve design: double shut-off
- Connection under pressure: not permissible

**Working Pressure**

100 ... 400 bar / 10 ... 40 MPa / 1450 ... 5800 PSI

The indicated pressure ratings only apply to the coupling itself and depend on the connection type.

**Working Temperature**

-25° C ... +100° C / -13° F ... +212° F

**Material**

Steel

**Surface Finishing**

Zinc-Plating and Thick-Film-Passivation (Chrome III)

**Standard Seal Material(s)**

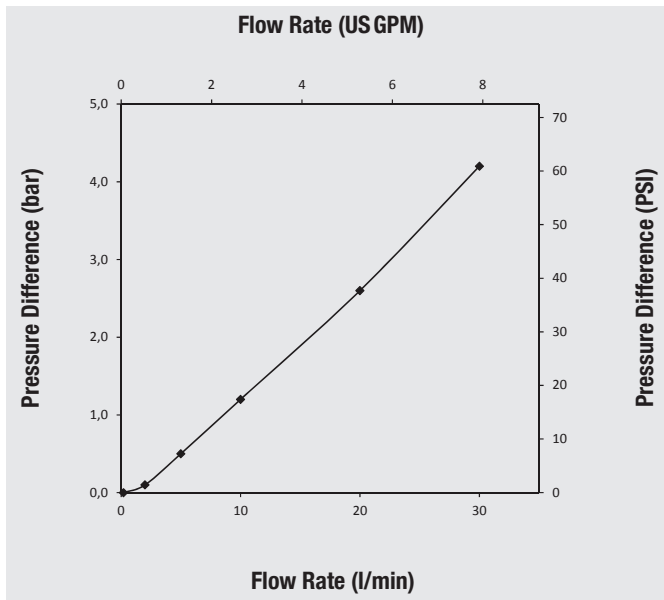
NBR (Buna-N®)

Alternative seal materials are available on request.

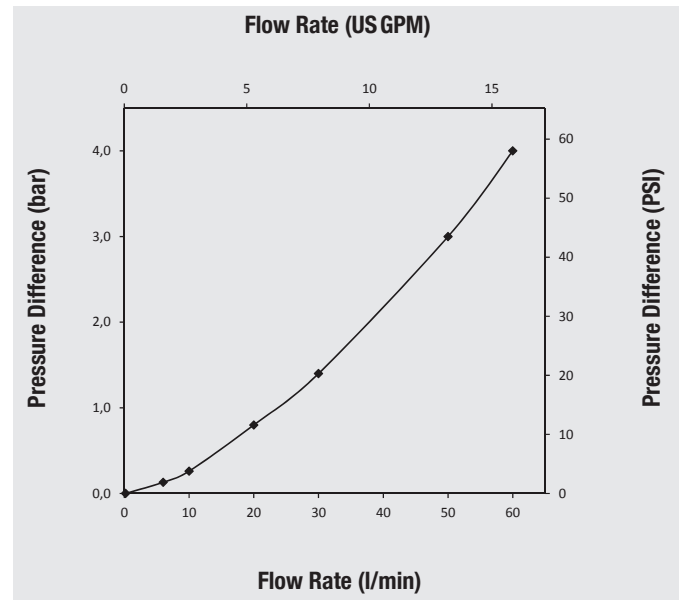


ID

### Series ID 06 ▪ BG 1 ▪ Nominal Size 6,3



### Series ID 10 ▪ BG 2 ▪ Nominal Size 10

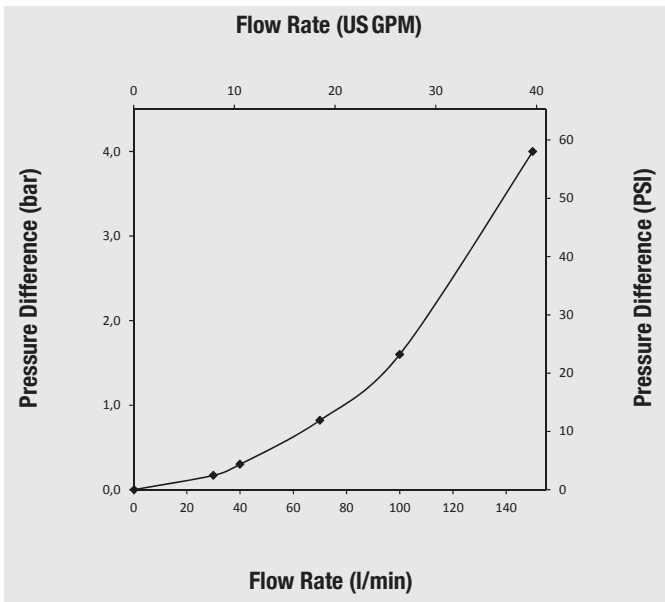


Please note: Unless otherwise stated, all flow characteristics have been determined with hydraulic oil with a kinematic viscosity of 36 mm<sup>2</sup>/s (36 cSt) and are only valid for components with non-reducing connections.

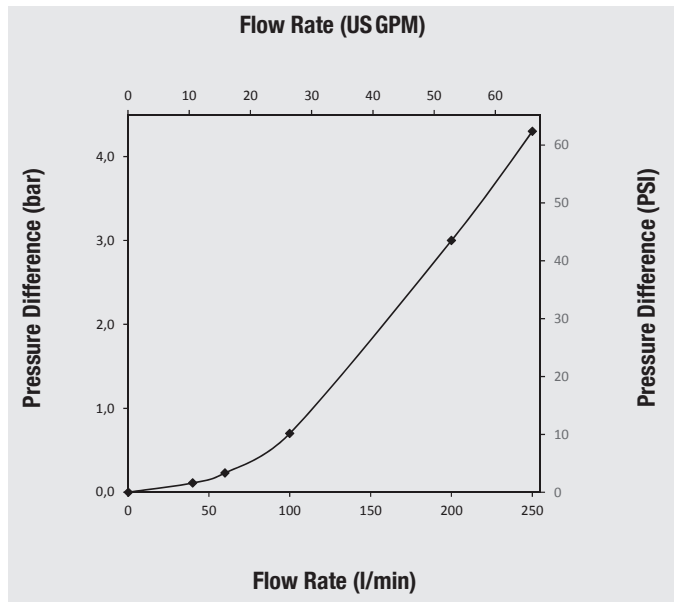




**Series ID 19 ▪ BG 6 ▪ Nominal Size 19**



**Series ID 25 ▪ BG 8 ▪ Nominal Size 25**



**Series ID 06 ▪ BG 1 ▪ Nominal Size 6,3**

**Working Pressure**

400 bar / 40 MPa / 5802 PSI

**Burst Pressure**

1700 bar / 170 MPa / 24657 PSI (Female Body)

1600 bar / 160 MPa / 23206 PSI (Male Tip)

1700 bar / 170 MPa / 24657 PSI (Connected)

**ID**

The indicated pressure ratings only apply to the coupling itself and depend on the connection type.

**Material**

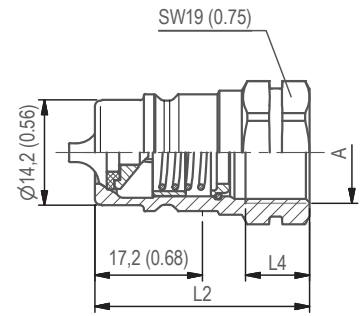
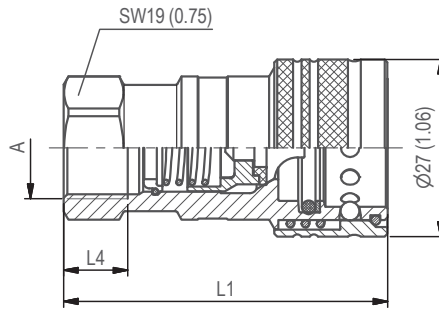
Steel

**Surface Finishing**

Zinc-Plating and Thick-Film-Passivation (Chrome III)

**Standard Seal Material(s)**

NBR (Buna-N®)



SW: Width across flats. All dimensions in mm (inch). Drawing similar series ID 19.

Port A	Dimensions ( <sup>mm</sup> / <sub>in</sub> )				Female Body		Weight	Male Tip		Weight
	ØD2	L1	L2	L3	L4 min	VOSWINKEL Part Numbers	( <sup>g</sup> / <sub>oz</sub> ) ca.	VOSWINKEL Part Numbers	( <sup>g</sup> / <sub>oz</sub> ) ca.	
						STAUFF Ordering Codes	per pc.	STAUFF Ordering Codes	per pc.	
Female Thread according to DIN 3852 - ANSI B 1.20.3										
	G 1/4"	55,5	38		12	ID06-1-IGF04	118	ID06-2-IGF04	46	
		2.19	1.50		0.47	QRC-ID-06-F-G04-BT-W66I	259.60	QRC-ID-06-M-G04-B-W66I	101.20	
	NPTF 1/4" -18	55,5	38			ID06-1-INF04	119	ID06-2-INF04	47	
		2.19	1.50			QRC-ID-06-F-NF04-BT-W66I	261.80	QRC-ID-06-M-NF04-B-W66I	103.40	



**Series ID 10 ▪ BG 2 ▪ Nominal Size 10**
**Working Pressure**

350 bar / 35 MPa / 5076 PSI

**Burst Pressure**

1700 bar / 170 MPa / 24657 PSI (Female Body)

1500 bar / 150 MPa / 21756 PSI (Male Tip)

1500 bar / 150 MPa / 21756 PSI (Connected)

The indicated pressure ratings only apply to the coupling itself and depend on the connection type.

**Material**

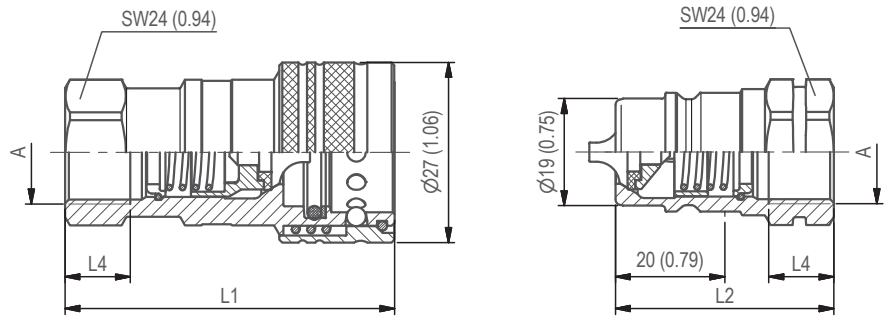
Steel

**Surface Finishing**

Zinc-Plating and Thick-Film-Passivation (Chrome III)

**Standard Seal Material(s)**

NBR (Buna-N®)



SW: Width across flats. All dimensions in mm (inch). Drawing similar series ID 19.

Port A	Dimensions (mm/in)				Female Body		Weight	Male Tip		Weight
	ØD2	L1	L2	L3	L4 min	VOSWINKEL Part Numbers	( <sup>g</sup> / <sub>oz</sub> ) ca.	VOSWINKEL Part Numbers	( <sup>g</sup> / <sub>oz</sub> ) ca.	
Female Thread according to DIN 3852 - ANSI B 1.20.3						STAUFF Ordering Codes	per pc.	STAUFF Ordering Codes	per pc.	
	G 3/8"	63	42,5		12	ID10-1-IGF06	200	ID10-2-IGF06	80	
		2.48	1.67		0.47	QRC-ID-10-F-G06-BT-W66I	440.00	QRC-ID-10-M-G06-B-W66I	176.00	
	NPTF 3/8" -18	63	42,5			ID10-1-INF06	201	ID10-2-INF06	81	
		2.48	1.67			QRC-ID-10-F-NF06-BT-W66I	442.20	QRC-ID-10-M-NF06-B-W66I	178.20	



**Series ID 19 ▪ BG 6 ▪ Nominal Size 19**

**Working Pressure**

250 bar / 25 MPa / 3626 PSI

**Burst Pressure**

1200 bar / 120 MPa / 17405 PSI (Female Body)

1000 bar / 100 MPa / 14504 PSI (Male Tip)

1100 bar / 110 MPa / 15954 PSI (Connected)

**ID**

The indicated pressure ratings only apply to the coupling itself and depend on the connection type.

**Material**

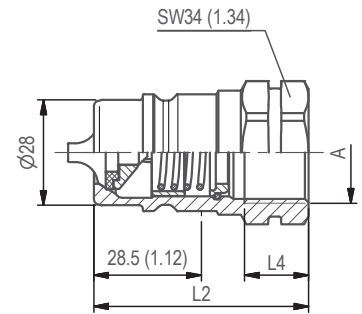
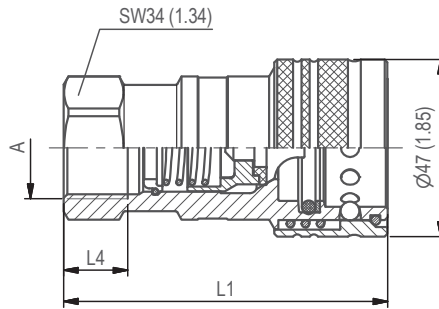
Steel

**Surface Finishing**

Zinc-Plating and Thick-Film-Passivation (Chrome III)

**Standard Seal Material(s)**

NBR (Buna-N®)



SW: Width across flats. All dimensions in mm (inch).

Port A	Dimensions ( <sup>mm</sup> / <sub>in</sub> )				Female Body		Weight ( <sup>g</sup> / <sub>oz</sub> ) ca. per pc.	Male Tip		Weight ( <sup>g</sup> / <sub>oz</sub> ) ca. per pc.
	ØD2	L1	L2	L3	L4 min	VOSWINKEL Part Numbers		VOSWINKEL Part Numbers		
Female Thread according to DIN 3852 - ANSI B 1.20.3										
	G 3/4"	86	57		16	ID19-1-IGF12	473	ID19-2-IGF12	183	
		3.39	2.24		0.63	QRC-ID-19-F-G12-BT-W66I	1040.60	QRC-ID-19-M-G12-B-W66I	402.60	
	NPTF 3/4" -14	86	57			ID19-1-INF12	478	ID19-2-INF12	188	
		3.39	2.24			QRC-ID-19-F-NF12-BT-W66I	1051.60	QRC-ID-19-M-NF12-B-W66I	413.60	



**Series ID 25 ▪ BG 8 ▪ Nominal Size 25**
**Working Pressure**

250 bar / 25 MPa / 3626 PSI

**Burst Pressure**

1100 bar / 110 MPa / 15954 PSI (Female Body)

1200 bar / 120 MPa / 17405 PSI (Male Tip)

1000 bar / 100 MPa / 14504 PSI (Connected)

The indicated pressure ratings only apply to the coupling itself and depend on the connection type.

**Material**

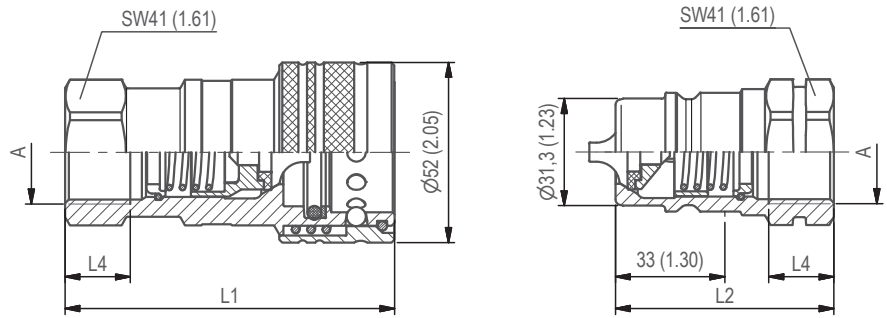
Steel

**Surface Finishing**

Zinc-Plating and Thick-Film-Passivation (Chrome III)

**Standard Seal Material(s)**

NBR (Buna-N®)

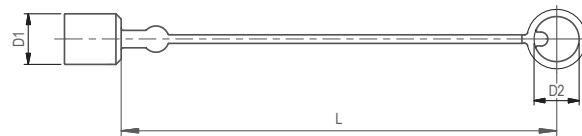
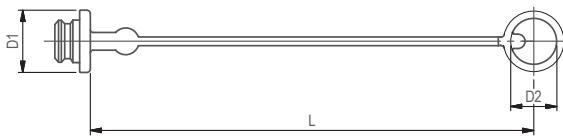


SW: Width across flats. All dimensions in mm (inch). Drawing similar series ID 19.

Port A	Dimensions (mm/in)				Female Body		Weight	Male Tip		Weight
	ØD2	L1	L2	L3	L4 min	VOSWINKEL Part Numbers	( <sup>g</sup> / <sub>oz</sub> ) ca.	VOSWINKEL Part Numbers	( <sup>g</sup> / <sub>oz</sub> ) ca.	
Female Thread according to DIN 3852 - ANSI B 1.20.3						STAUFF Ordering Codes	per pc.	STAUFF Ordering Codes	per pc.	
	G 1"	99	65,5		18	ID25-1-IGF16	736	ID25-2-IGF16	282	
		3.90	2.58		0.71	QRC-ID-25-F-G16-BT-W66I	1619.20	QRC-ID-25-M-G16-B-W66I	620.40	
	NPTF 1" -11 1/2	99	65,5			ID25-1-INF16	743	ID25-2-INF16	289	
		3.90	2.58			QRC-ID-25-F-NF16-BT-W66I	1634.60	QRC-ID-25-M-NF16-B-W66I	635.80	



Series ID • Dust Protection



ID

Dimensions (mm/in)			Material	Dust Cap for Male Tip	
D1	D2	L		VOSWINKEL Part Numbers	STAUFF Ordering Codes
22	25	210	Plastic (Colour: Red)	ID06-0-RT001	QRC-ID-06-DM-25-KI-RD
.87	.98	8.27			
27	24	205	Plastic (Colour: Red)	ID10-0-RT001	QRC-ID-10-DM-24-KI-RD
1.06	.94	8.07			
37	33	270	Plastic (Colour: Red)	ID19-0-RT001	QRC-ID-19-DM-33-KI-RD
1.46	1.30	10.63			
41,0	39	290	Plastic (Colour: Red)	ID25-0-RT001	QRC-ID-25-DM-39-KI-RD
1.61	1.54	11.42			

Dimensions (mm/in)			Material	Dust Plug for Female Body	
D1	D2	L		VOSWINKEL Part Numbers	STAUFF Ordering Codes
25	18	205	Plastic (Colour: Red)	ID06-9-RT001	QRC-ID-06-DF-18-KI-RD
.98	.71	8.07			
30	24	235	Plastic (Colour: Red)	ID10-9-RT001	QRC-ID-10-DF-24-KI-RD
1.18	.94	9.25			
44	33	270	Plastic (Colour: Red)	ID19-9-RT001	QRC-ID-19-DF-33-KI-RD
1.73	1.30	10.63			
50	39	290	Plastic (Colour: Red)	ID25-9-RT001	QRC-ID-25-DF-39-KI-RD
1.97	1.54	11.42			

In addition to the standard colours as stated above, plastic dust caps are also available in blue, green, yellow and black. Please use the VOSWINKEL codes BL, GN, GE and SW respectively instead of RT. Please use the STAUFF codes BU, GN, YE and BK respectively instead of RD.





Series HG • Characteristics	68
Series HG 25 • BG 8 • Nominal Size 25	69



## Series HG ▪ Characteristics

### Description

- Quick release coupling
- Valve design: double shut-off
- Connection under pressure: not permissible

### Working Pressure

250 bar / 25 MPa / 3625 PSI

The indicated pressure ratings only apply to the coupling itself and depend on the connection type.

### Working Temperature

-25° C ... +100° C / -13° F ... +212° F

### Material

Steel

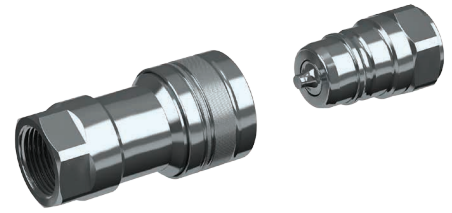
### Surface Finishing

Zinc-Plating and Thick-Film-Passivation (Chrome III)

### Standard Seal Material(s)

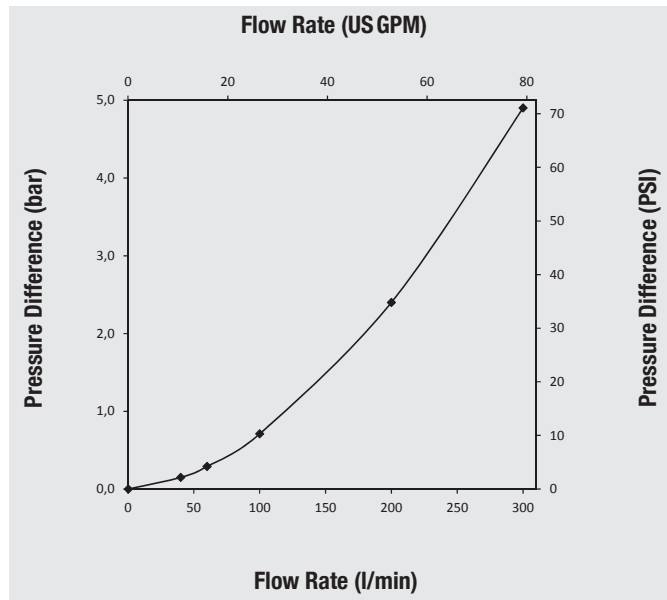
NBR (Buna-N®)

Alternative seal materials are available on request.



HG

## Series HG 25 ▪ BG 8 ▪ Nominal Size 25



Please note: Unless otherwise stated, all flow characteristics have been determined with hydraulic oil with a kinematic viscosity of 36 mm<sup>2</sup>/s (36 cSt) and are only valid for components with non-reducing connections.



**Series HG 25 ▪ BG 8 ▪ Nominal Size 25**
**Working Pressure**

250 bar / 25 MPa / 3626 PSI

**Burst Pressure**

1200 bar / 120 MPa / 17405 PSI (Female Body)

1200 bar / 120 MPa / 17405 PSI (Male Tip)

1100 bar / 110 MPa / 15954 PSI (Connected)

The indicated pressure ratings only apply to the coupling itself and depend on the connection type.

**Material**

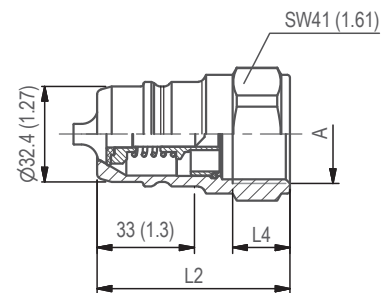
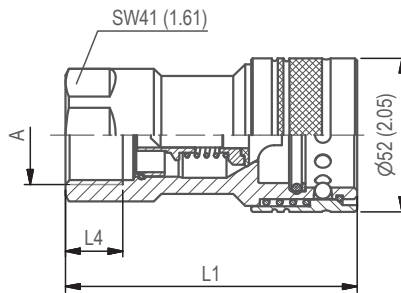
Steel

**Surface Finishing**

Zinc-Plating and Thick-Film-Passivation (Chrome III)

**Standard Seal Material(s)**

NBR (Buna-N®)

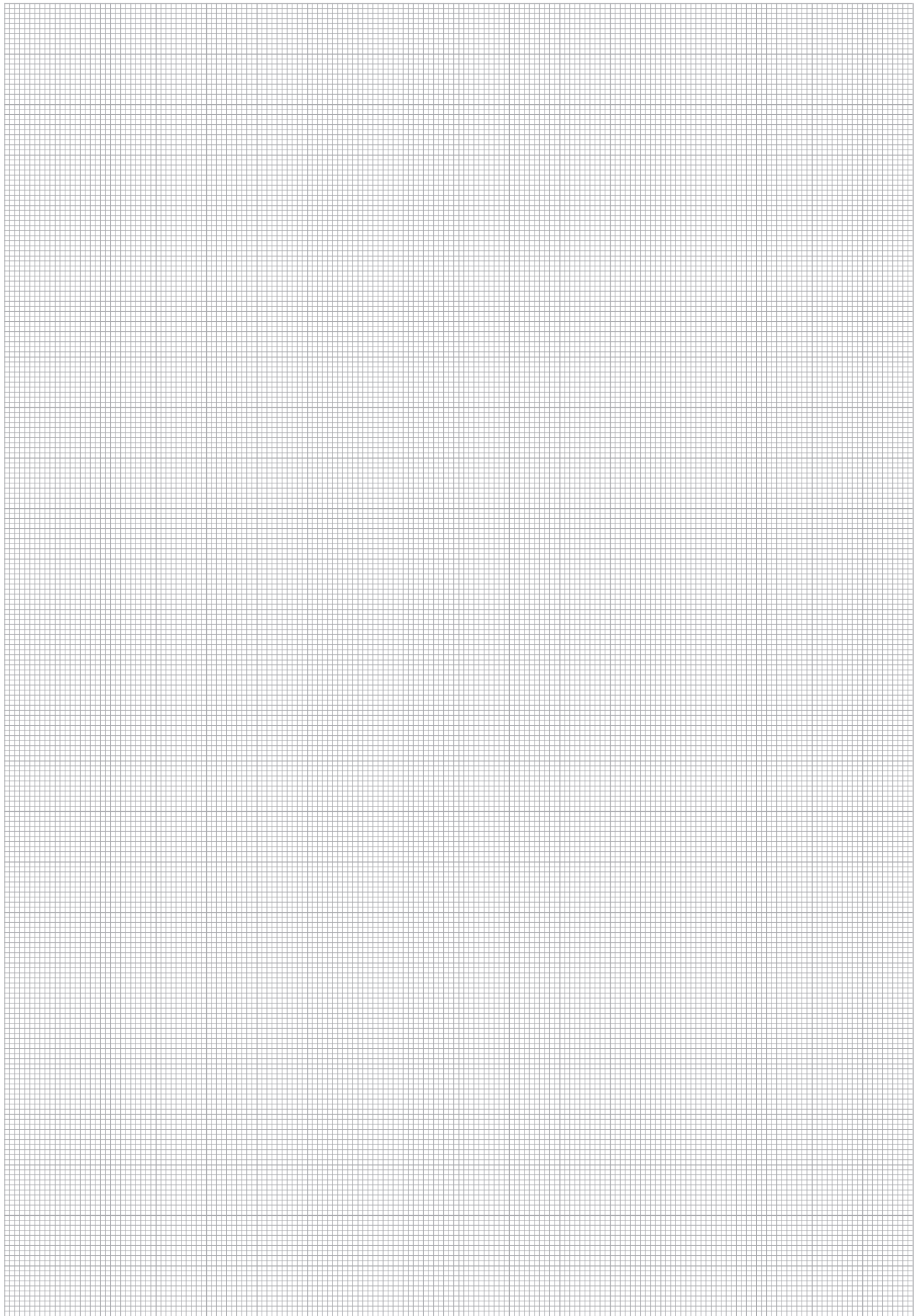

**HG**

SW: Width across flats. All dimensions in mm (inch).

Port A	Dimensions ( <sup>mm</sup> / <sub>in</sub> )				Female Body		Weight ( <sup>g</sup> / <sub>oz</sub> ) ca. per pc.	Male Tip		Weight ( <sup>g</sup> / <sub>oz</sub> ) ca. per pc.
	ØD2	L1	L2	L3	L4 min	VOSWINKEL Part Numbers STAUFF Ordering Codes		VOSWINKEL Part Numbers STAUFF Ordering Codes		
Female Thread according to DIN 3852										
	G 1"	99	65,5		18	HG25-1-IGF16	712	HG25-1-IGF16	296	
		3.90	2.58		0.71	QRC-HG-25-F-G16-BT-W66I	1566.40	QRC-HG-25-M-G16-B-W66I	651.20	



HG





Series IB ▪ Characteristics	72 - 73	Series IB 38 ▪ BG 12 ▪ Nominal Size 38	80
Series IB 04 ▪ BG 0 ▪ Nominal Size 3	74	Series IB 51 ▪ BG 14 ▪ Nominal Size 51	81
Series IB 06 ▪ BG 1 ▪ Nominal Size 6,3	75	Series IB ▪ Dust Protection	82
Series IB 10 ▪ BG 2 ▪ Nominal Size 10	76		
Series IB 12 ▪ BG 3 ▪ Nominal Size 12,5	77		
Series IB 19 ▪ BG 6 ▪ Nominal Size 19	78		
Series IB 25 ▪ BG 8 ▪ Nominal Size 25	79		

**IB**


### Series IB ▪ Characteristics

**Description**

- Quick release coupling
- Dimensions according to ISO 7241-1, series B
- Valve design: double shut-off
- Connection under pressure: not permissible

**Working Pressure**

100 ... 500 bar / 10 ... 50 MPa / 1450 ... 7250 PSI

The indicated pressure ratings only apply to the coupling itself and depend on the connection type.

**Working Temperature**

-25° C ... +100° C / -13° F ... +212° F

**Material**

Steel

**Surface Finishing**

Zinc-Plating and Thick-Film-Passivation (Chrome III)

**Standard Seal Material(s)**

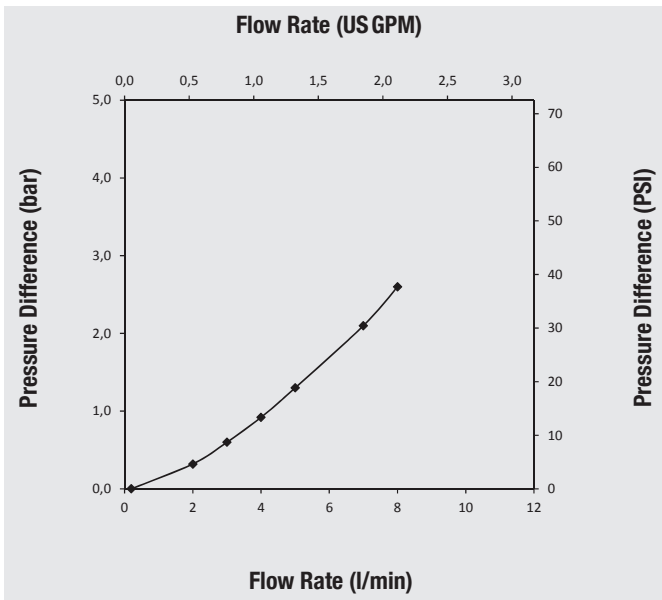
NBR (Buna-N®)

Alternative seal materials are available on request.

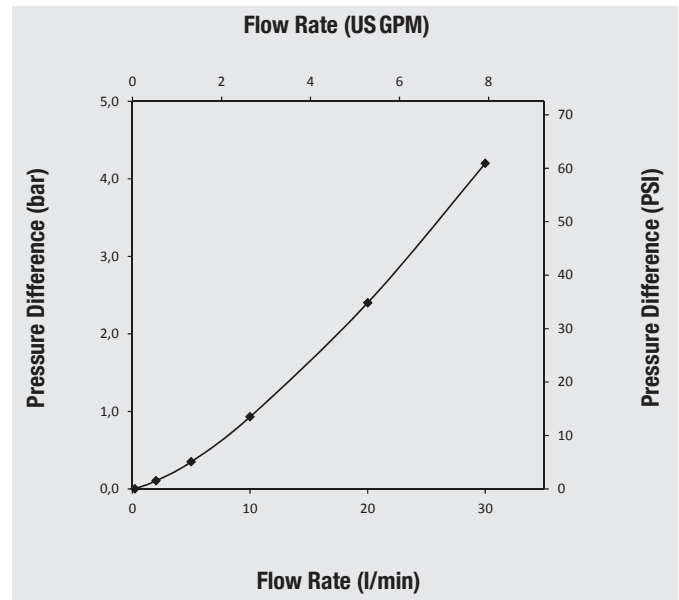


IB

### Series IB 04 ▪ BG 0 ▪ Nominal Size 3



### Series IB 06 ▪ BG 1 ▪ Nominal Size 6,3

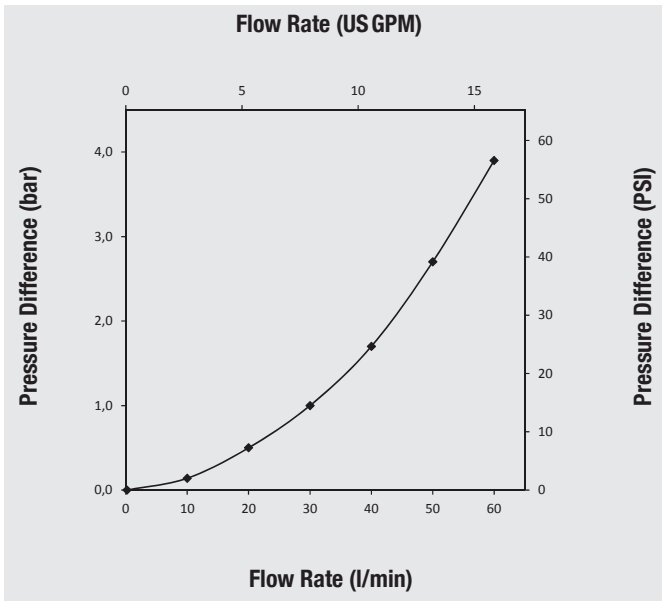


Please note: Unless otherwise stated, all flow characteristics have been determined with hydraulic oil with a kinematic viscosity of 36 mm<sup>2</sup>/s (36 cSt) and are only valid for components with non-reducing connections.

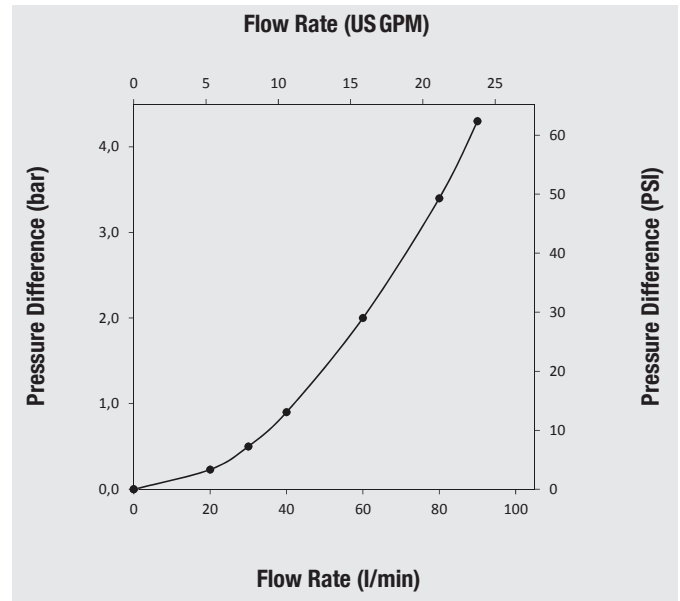




**Series IB 10 ▪ BG 2 ▪ Nominal Size 10**

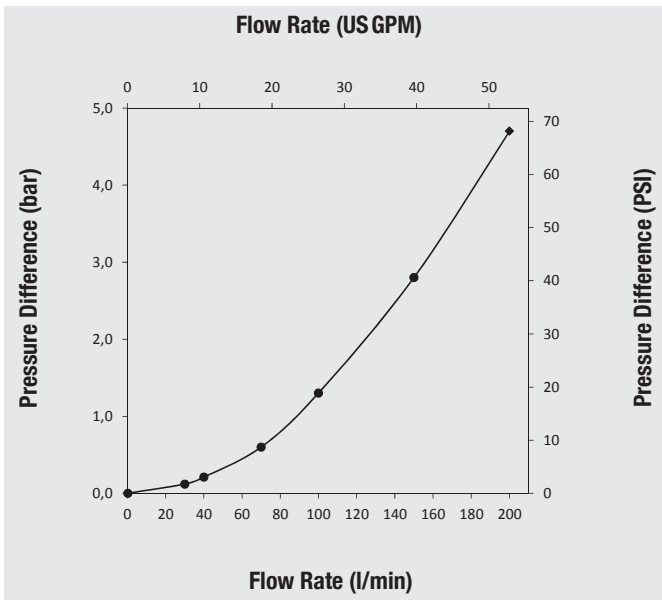


**Series IB 12 ▪ BG 3 ▪ Nominal Size 12,5**

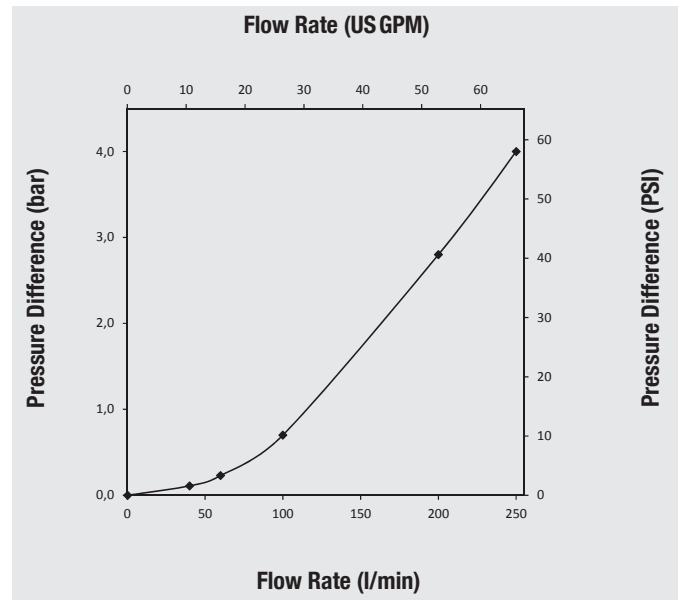


**IB**

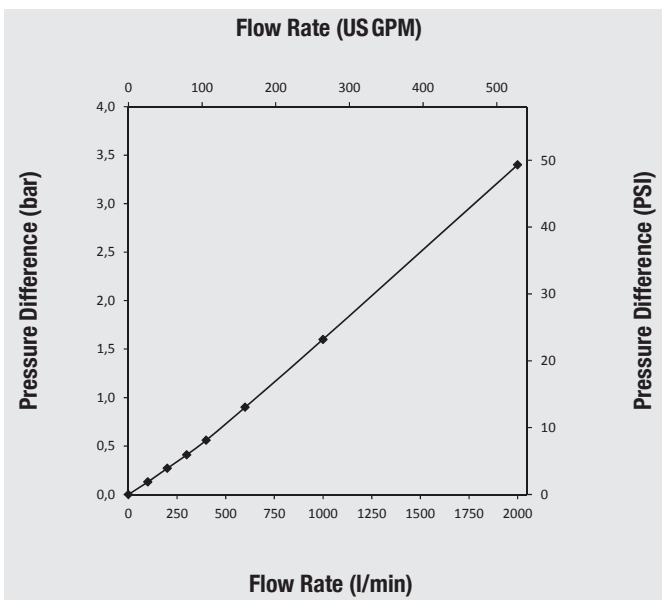
**Series IB 19 ▪ BG 6 ▪ Nominal Size 19**



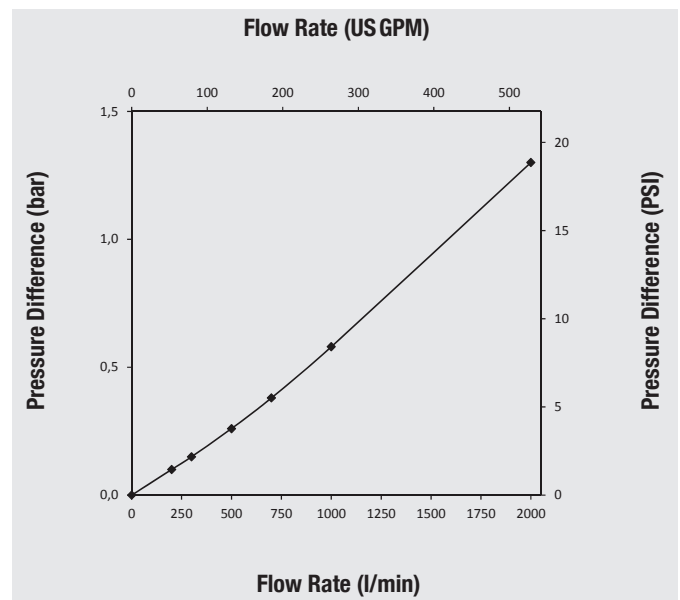
**Series IB 25 ▪ BG 8 ▪ Nominal Size 25**



**Series IB 38 ▪ BG 12 ▪ Nominal Size 38**



**Series IB 51 ▪ BG 14 ▪ Nominal Size 51**



**Series IB 04 • BG 0 • Nominal Size 3**

**Working Pressure**

500 bar / 50 MPa / 7252 PSI

**Burst Pressure**

2300 bar / 230 MPa / 33359 PSI (Female Body)

2400 bar / 240 MPa / 34810 PSI (Male Tip)

2700 bar / 270 MPa / 39161 PSI (Connected)

The indicated pressure ratings only apply to the coupling itself and depend on the connection type.

**Material**

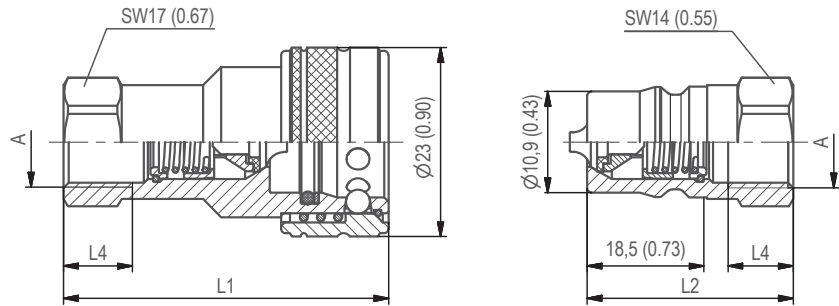
Steel

**Surface Finishing**

Zinc-Plating and Thick-Film-Passivation (Chrome III)

**Standard Seal Material(s)**

NBR (Buna-N®)



Dimensions acc. to ISO 7241-1, series B.

SW: Width across flats. All dimensions in mm (inch). Drawing similar series IB 12.

Port A	Dimensions ( <sup>mm</sup> / <sub>in</sub> )				Female Body		Weight ( <sup>g</sup> / <sub>oz</sub> ) ca. per pc.	Male Tip		Weight ( <sup>g</sup> / <sub>oz</sub> ) ca. per pc.
	ØD2	L1	L2	L3	L4 min	VOSWINKEL Part Numbers		VOSWINKEL Part Numbers		
						STAUFF Ordering Codes		STAUFF Ordering Codes		
Female Thread according to ANSI B 1.20.3										
	NPTF 1/8" -27	50,6	32			IB04-1-INF02	89	IB04-2-INF02	20	
		1.99	1.26			QRC-IB-04-F-NF02-BT-W66I	195.80	QRC-IB-04-M-NF02-B-W66I	44.00	



**Series IB 06 ▪ BG 1 ▪ Nominal Size 6,3**
**Working Pressure**

250 bar / 25 MPa / 3626 PSI

**Burst Pressure**

1800 bar / 180 MPa / 26107 PSI (Female Body)

1100 bar / 110 MPa / 15954 PSI (Male Tip)

1000 bar / 100 MPa / 14504 PSI (Connected)

The indicated pressure ratings only apply to the coupling itself and depend on the connection type.

**Material**

Steel

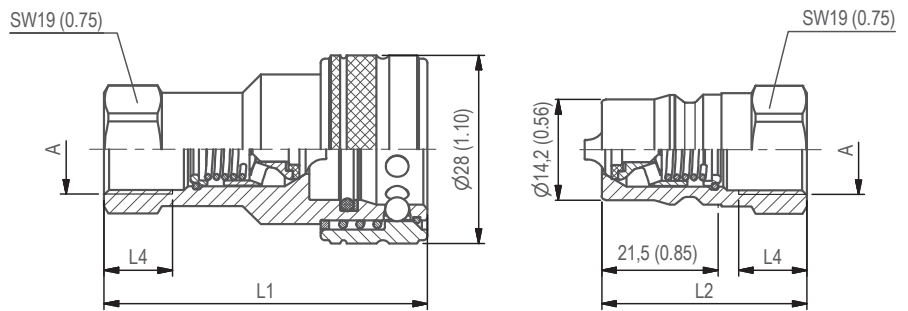
**Surface Finishing**

Zinc-Plating and Thick-Film-Passivation (Chrome III)

**Standard Seal Material(s)**

NBR (Buna-N®)

Dimensions acc. to ISO 7241-1, series B.



SW: Width across flats. All dimensions in mm (inch). Drawing similar series IB 12.

Port A	Dimensions (mm/in)				Female Body VOSWINKEL Part Numbers		Weight	Male Tip VOSWINKEL Part Numbers		Weight
	ØD2	L1	L2	L3	L4 min	STAUFF Ordering Codes	( <sup>g</sup> /oz) ca. per pc.	STAUFF Ordering Codes	( <sup>g</sup> /oz) ca. per pc.	
Female Thread according to DIN 3852 - ANSI B.1.20.3										
	G 1/4"	60	38		12	IB06-1-IGF04	123	IB06-2-IGF04	39	
		2.36	1.50		0.47	QRC-IB-06-F-G04-BT-W66I	270.60	QRC-IB-06-M-G04-B-W66I	85.80	
	NPTF 1/4" -18	60	38			IB06-1-INF04	124	IB06-2-INF04	40	
		2.36	1.50			QRC-IB-06-F-NF04-BT-W66I	272.80	QRC-IB-06-M-NF04-B-W66I	88.00	

**IB**


**Series IB 10 ▪ BG 2 ▪ Nominal Size 10**

**Working Pressure**

250 bar / 25 MPa / 3626 PSI

**Burst Pressure**

1400 bar / 140 MPa / 20306 PSI (Female Body)

1400 bar / 140 MPa / 20306 PSI (Male Tip)

1300 bar / 130 MPa / 18855 PSI (Connected)

The indicated pressure ratings only apply to the coupling itself and depend on the connection type.

**Material**

Steel

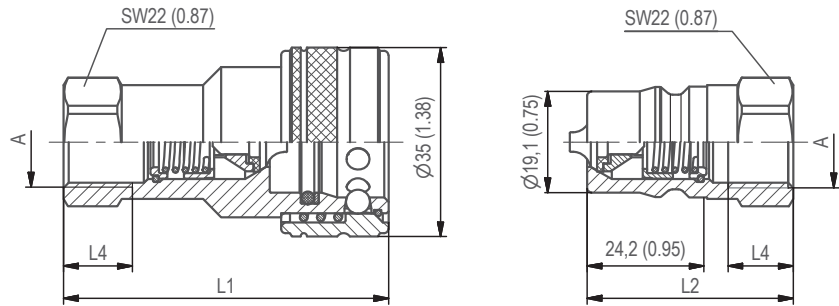
**Surface Finishing**

Zinc-Plating and Thick-Film-Passivation (Chrome III)

**Standard Seal Material(s)**

NBR (Buna-N®)

Dimensions acc. to ISO 7241-1, series B.



SW: Width across flats. All dimensions in mm (inch). Drawing similar series IB 12.

Port A	Dimensions ( <sup>mm</sup> / <sub>in</sub> )				Female Body		Weight	Male Tip		Weight
	ØD2	L1	L2	L3	L4 min	VOSWINKEL Part Numbers	( <sup>g</sup> / <sub>oz</sub> ) ca.	VOSWINKEL Part Numbers	( <sup>g</sup> / <sub>oz</sub> ) ca.	
Female Thread according to DIN 3852 - ANSI B.1.20.3						STAUFF Ordering Codes	per pc.	STAUFF Ordering Codes	per pc.	
	G 3/8"	60,5	42,5		12	IB10-1-IGF06	194	IB10-2-IGF06	61	
		2.38	1.67		0.47	QRC-IB-10-F-G06-BT-W66I	426.80	QRC-IB-10-M-G06-B-W66I	134.20	
	NPTF 3/8" -18	60,5	42,5			IB10-1-INF06	196	IB10-2-INF06	62	
		2.38	1.67			QRC-IB-10-F-NF06-BT-W66I	431.20	QRC-IB-10-M-NF06-B-W66I	136.40	



**Series IB 12 ▪ BG 3 ▪ Nominal Size 12,5**
**Working Pressure**

250 bar / 25 MPa / 3626 PSI

**Burst Pressure**

1400 bar / 140 MPa / 20306 PSI (Female Body)

1100 bar / 110 MPa / 15954 PSI (Male Tip)

1100 bar / 110 MPa / 15954 PSI (Connected)

The indicated pressure ratings only apply to the coupling itself and depend on the connection type.

**Material**

Steel

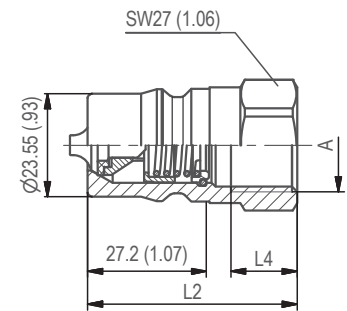
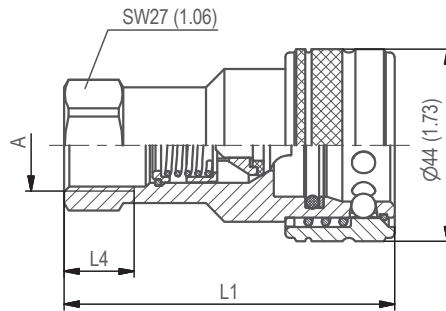
**Surface Finishing**

Zinc-Plating and Thick-Film-Passivation (Chrome III)

**Standard Seal Material(s)**

NBR (Buna-N®)

Dimensions acc. to ISO 7241-1, series B.



SW: Width across flats. All dimensions in mm (inch).

Port A	Dimensions (mm/in)				Female Body		Weight	Male Tip		Weight
	ØD2	L1	L2	L3	L4 min	VOSWINKEL Part Numbers	( <sup>g</sup> / <sub>oz</sub> ) ca.	VOSWINKEL Part Numbers	( <sup>g</sup> / <sub>oz</sub> ) ca.	
Female Thread according to DIN 3852 - ANSI B.1.20.3						STAUFF Ordering Codes	per pc.	STAUFF Ordering Codes	per pc.	
	G 1/2"	75,7	48		14	IB12-1-IGF08	346	IB12-2-IGF08	112	
		2.98	1.89		0.55	QRC-IB-12-F-G08-BT-W66I	761.20	QRC-IB-12-M-G08-B-W66I	246.40	
	NPTF 1/2" -14	75,7	48			IB12-1-INF08	349	IB12-2-INF08	115	
		2.98	1.89			QRC-IB-12-F-NF08-BT-W66I	767.80	QRC-IB-12-M-NF08-B-W66I	253.00	

**IB**


**Series IB 19 ▪ BG 6 ▪ Nominal Size 19**

**Working Pressure**

250 bar / 25 MPa / 3626 PSI

**Burst Pressure**

1300 bar / 130 MPa / 18855 PSI (Female Body)

1000 bar / 100 MPa / 14504 PSI (Male Tip)

1200 bar / 120 MPa / 17405 PSI (Connected)

The indicated pressure ratings only apply to the coupling itself and depend on the connection type.

**Material**

Steel

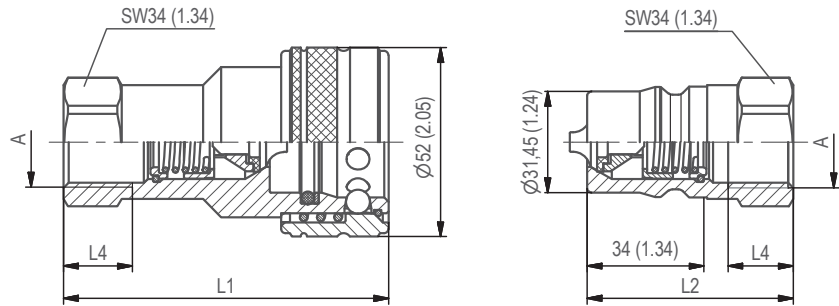
**Surface Finishing**

Zinc-Plating and Thick-Film-Passivation (Chrome III)

**Standard Seal Material(s)**

NBR (Buna-N®)

Dimensions acc. to ISO 7241-1, series B.



SW: Width across flats. All dimensions in mm (inch). Drawing similar series IB 12.

Port A	Dimensions ( <sup>mm</sup> / <sub>in</sub> )				Female Body		Weight	Male Tip		Weight
	ØD2	L1	L2	L3	L4 min	VOSWINKEL Part Numbers	( <sup>g</sup> / <sub>oz</sub> ) ca.	VOSWINKEL Part Numbers	( <sup>g</sup> / <sub>oz</sub> ) ca.	
						STAUFF Ordering Codes	per pc.	STAUFF Ordering Codes	per pc.	
Female Thread according to DIN 3852 - ANSI B.1.20.3										
	G 3/4"	91,5	57		16	IB19-1-IGF12	548	IB19-2-IGF12	202	
		3.60	2.24		0.63	QRC-IB-19-F-G12-BT-W66I	1205.60	QRC-IB-19-M-G12-B-W66I	444.40	
	NPTF 3/4" -14	91,5	57			IB19-1-INF12	551	IB19-2-INF12	207	
		3.60	2.24			QRC-IB-19-F-NF12-BT-W66I	1212.20	QRC-IB-19-M-NF12-B-W66I	455.40	





**Series IB 25 ▪ BG 8 ▪ Nominal Size 25**
**Working Pressure**

250 bar / 25 MPa / 3626 PSI

**Burst Pressure**

1100 bar / 110 MPa / 15954 PSI (Female Body)

1000 bar / 100 MPa / 14504 PSI (Male Tip)

1000 bar / 100 MPa / 14504 PSI (Connected)

The indicated pressure ratings only apply to the coupling itself and depend on the connection type.

**Material**

Steel

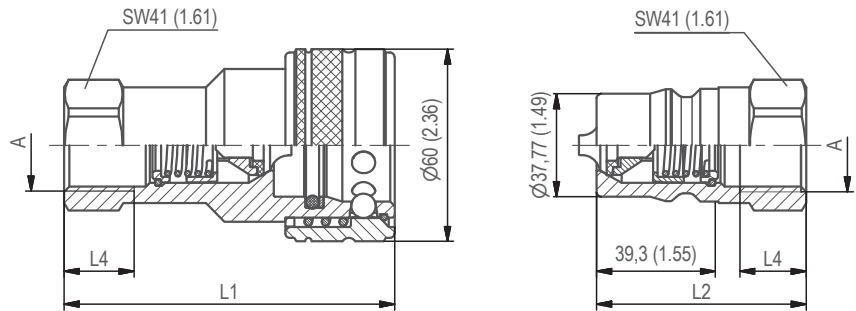
**Surface Finishing**

Zinc-Plating and Thick-Film-Passivation (Chrome III)

**Standard Seal Material(s)**

NBR (Buna-N®)

Dimensions acc. to ISO 7241-1, series B.



SW: Width across flats. All dimensions in mm (inch). Drawing similar series IB 12.

Port A	Dimensions (mm/in)				Female Body		Weight	Male Tip		Weight
	ØD2	L1	L2	L3	L4 min	VOSWINKEL Part Numbers	( <sup>g</sup> /oz) ca.	VOSWINKEL Part Numbers	( <sup>g</sup> /oz) ca.	
						STAUFF Ordering Codes	per pc.	STAUFF Ordering Codes	per pc.	
Female Thread according to DIN 3852 - ANSI B.1.20.3										
	G 1"	105,8	65,5		18	IB25-1-IGF16	860	IB25-2-IGF16	355	
		4.17	2.58		0.71	QRC-IB-25-F-G16-BT-W66I	1892.00	QRC-IB-25-M-G16-B-W66I	781.00	
	NPTF 1" -11 1/2	105,8	65,5			IB25-1-INF16	870	IB25-2-INF16	364	
		4.17	2.58			QRC-IB-25-F-NF16-BT-W66I	1914.00	QRC-IB-25-M-NF16-B-W66I	800.80	

**IB**


**Series IB 38 ▪ BG 12 ▪ Nominal Size 38**

**Working Pressure**

200 bar / 20 MPa / 2901 PSI

**Burst Pressure**

800 bar / 80 MPa / 11603 PSI (Female Body)

800 bar / 80 MPa / 11603 PSI (Male Tip)

800 bar / 80 MPa / 11603 PSI (Connected)

The indicated pressure ratings only apply to the coupling itself and depend on the connection type.

**Material**

Steel

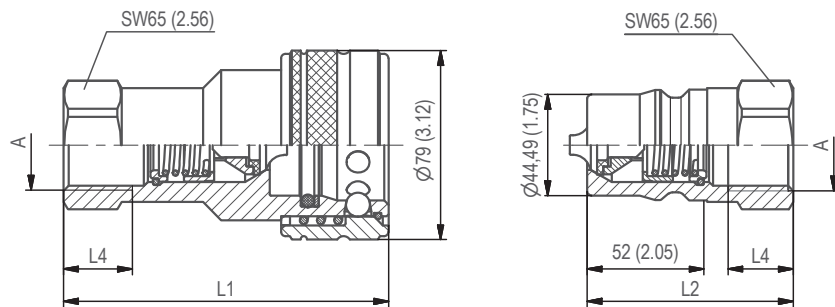
**Surface Finishing**

Zinc-Plating and Thick-Film-Passivation (Chrome III)

**Standard Seal Material(s)**

NBR (Buna-N®)

Dimensions acc. to ISO 7241-1, series B.



SW: Width across flats. All dimensions in mm (inch). Drawing similar series IB 12.

Port A	Dimensions ( <sup>mm</sup> / <sub>in</sub> )				Female Body		Weight	Male Tip		Weight
	ØD2	L1	L2	L3	L4 min	VOSWINKEL Part Numbers	( <sup>oz</sup> ) ca.	VOSWINKEL Part Numbers	( <sup>oz</sup> ) ca.	
						STAUFF Ordering Codes	per pc.	STAUFF Ordering Codes	per pc.	
Female Thread according to DIN 3852 - ANSI B.1.20.3										
	G 1 1/4"	126,5	127		20	IB38-1-IGF20	2008	IB38-2-IGF20	1355	
		4.98	5.00		0.79	QRC-IB-38-F-G20-BT-W66I	4417.60	QRC-IB-38-M-G20-B-W66I	2981.00	
	NPTF 1 1/4" -11 1/2	126,5	127			IB38-1-INF20	2020	IB38-2-INF20	1368	
		4.98	5.00			QRC-IB-38-F-NF20-BT-W66I	4444.00	QRC-IB-38-M-NF20-B-W66I	3009.60	



**Series IB 51 ▪ BG 14 ▪ Nominal Size 51**
**Working Pressure**

100 bar / 10 MPa / 1450 PSI

**Burst Pressure**

400 bar / 40 MPa / 5802 PSI (Female Body)

400 bar / 40 MPa / 5802 PSI (Male Tip)

400 bar / 40 MPa / 5802 PSI (Connected)

The indicated pressure ratings only apply to the coupling itself and depend on the connection type.

**Material**

Steel

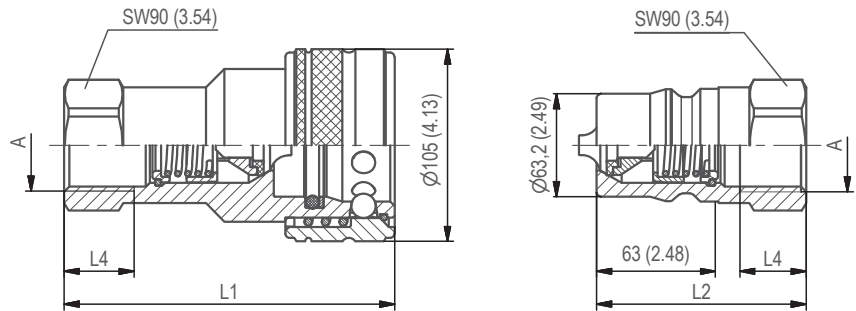
**Surface Finishing**

Zinc-Plating and Thick-Film-Passivation (Chrome III)

**Standard Seal Material(s)**

NBR (Buna-N®)

Dimensions acc. to ISO 7241-1, series B.

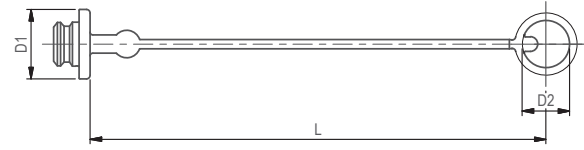
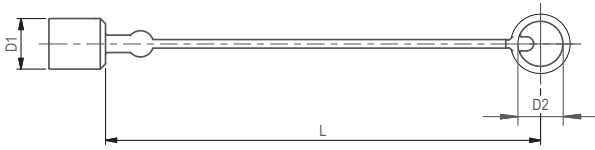


SW: Width across flats. All dimensions in mm (inch). Drawing similar series IB 12.

Port A	Dimensions (mm/in)				Female Body		Weight	Male Tip		Weight
	ØD2	L1	L2	L3	L4 min	VOSWINKEL Part Numbers STAUFF Ordering Codes	( <sup>g</sup> /oz) ca. per pc.	VOSWINKEL Part Numbers STAUFF Ordering Codes	( <sup>g</sup> /oz) ca. per pc.	
Female Thread according to DIN 3852 - ANSI B.1.20.3										
	G 2"	142	142		24	IB51-1-IGF32	4900	IB51-2-IGF32	3100	
		5.59	5.59		0.94	QRC-IB-51-F-G32-BT-W66I	10780.00	QRC-IB-51-M-G32-B-W66I	6820.00	
	NPTF 2" -11 1/2	142	142			IB51-1-INF32	5000	IB51-2-INF32	3200	
		5.59	5.59			QRC-IB-51-F-NF32-BT-W66I	11000.00	QRC-IB-51-M-NF32-B-W66I	7040.00	

**IB**

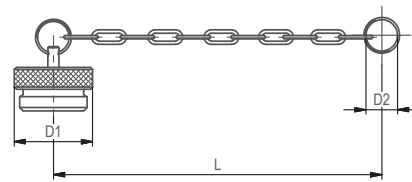
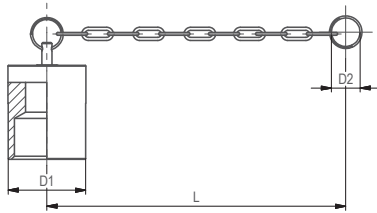

Series IB - Dust Protection



IB

Dimensions (mm/in)			Material	Dust Cap for Male Tip	
D1	D2	L		VOSWINKEL Part Numbers	STAUFF Ordering Codes
18	23	240	Plastic (Colour: Red)	IB06-0-RT001	QRC-IB-06-DM-23-KI-RD
.71	.91	9.45			
23	24	240	Plastic (Colour: Red)	IB10-0-RT001	QRC-IB-10-DM-24-KI-RD
.91	.94	9.45			
29	28	245	Plastic (Colour: Red)	IB12-0-RT001	QRC-IB-12-DM-28-KI-RD
1.14	1.10	9.65			
36,0	38	245	Plastic (Colour: Red)	IB19-0-RT001	QRC-IB-19-DM-38-KI-RD
1.42	1.50	9.65			
44	44	253	Plastic (Colour: Red)	IB25-0-RT001	QRC-IB-25-DM-44-KI-RD
1.73	1.73	9.96			

Dimensions (mm/in)			Material	Dust Plug for Female Body	
D1	D2	L		VOSWINKEL Part Numbers	STAUFF Ordering Codes
26	23	240	Plastic (Colour: Red)	IB06-9-RT001	QRC-IB-06-DF-23-KI-RD
1.02	.91	9.45			
33	25	235	Plastic (Colour: Red)	IB10-9-RT001	QRC-IB-10-DF-25-KI-RD
1.30	.98	9.25			
38	29	240	Plastic (Colour: Red)	IB12-9-RT001	QRC-IB-12-DF-29-KI-RD
1.50	1.14	9.45			
49	38	240	Plastic (Colour: Red)	IB19-9-RT001	QRC-IB-19-DF-38-KI-RD
1.93	1.50	9.45			
60	46	245	Plastic (Colour: Red)	IB25-9-RT001	QRC-IB-25-DF-46-KI-RD
2.36	1.81	9.65			



Dimensions (mm/in)			Material	Dust Cap for Male Tip	
D1	D2	L		VOSWINKEL Part Numbers	STAUFF Ordering Codes
22	28	245	Aluminium with chain	IB06-0-SI001	QRC-IB-06-DM-28/CN-W89I-SI
.87	1.10	9.65			
27	30	155	Aluminium with chain	IB10-0-SI001	QRC-IB-10-DM-30/CN-W89I-SI
1.06	1.18	6.10			
35	41	265	Aluminium with chain	IB12-0-SI001	QRC-IB-12-DM-41/CN-W89I-SI
1.38	1.61	10.43			
42	30	250	Aluminium with chain	IB19-0-SI001	QRC-IB-19-DM-30/CN-W89I-SI
1.65	1.18	9.84			
48	49	340	Aluminium with chain	IB25-0-SI001	QRC-IB-25-DM-49/CN-W89I-SI
1.89	1.93	13.39			
55	46	225	Aluminium with chain	IB38-0-SI001	QRC-IB-38-DM-46/CN-W89I-SI
2.17	1.81	8.86			
80	75	350	Aluminium with chain	IB51-0-SI001	QRC-IB-51-DM-75/CN-W89I-SI
3.15	2.95	13.78			

Dimensions (mm/in)			Material	Dust Plug for Female Body	
D1	D2	L		VOSWINKEL Part Numbers	STAUFF Ordering Codes
22	30	210	Aluminium with chain	IB06-9-SI001	QRC-IB-06-DF-30/CN-W89I-SI
.87	1.18	8.27			
22	30	155	Aluminium with chain	IB10-9-SI001	QRC-IB-10-DF-30/CN-W89I-SI
.87	1.18	6.10			
28	41	305	Aluminium with chain	IB12-9-SI001	QRC-IB-12-DF-41/CN-W89I-SI
1.10	1.61	12.01			
35	43	265	Aluminium with chain	IB19-9-SI001	QRC-IB-19-DF-43/CN-W89I-SI
1.38	1.69	10.43			
44	41	240	Aluminium with chain	IB25-9-SI001	QRC-IB-25-DF-41/CN-W89I-SI
1.73	1.61	9.45			
74	46	225	Aluminium with chain	IB38-9-SI001	QRC-IB-38-DF-46/CN-W89I-SI
2.91	1.81	8.86			
105	75	350	Aluminium with chain	IB51-9-SI001	QRC-IB-51-DF-75/CN-W89I-SI
4.13	2.95	13.78			

In addition to the standard colours as stated above, plastic dust caps are also available in blue, green, yellow and black. Please use the VOSWINKEL codes BL, GN, GE and SW respectively instead of RT. Please use the STAUFF codes BU, GN, YE and BK respectively instead of RD.



Series IB-MS ▪ Characteristics	84 - 85	Series IB 51-MS ▪ BG 14 ▪ Nominal Size 51	92
Series IB 06-MS ▪ BG 1 ▪ Nominal Size 6,3	86	Series IB-MS ▪ Dust Protection	93
Series IB 10-MS ▪ BG 2 ▪ Nominal Size 10	87		
Series IB 12-MS ▪ BG 3 ▪ Nominal Size 12,5	88		
Series IB 19-MS ▪ BG 6 ▪ Nominal Size 19	89		
Series IB 25-MS ▪ BG 8 ▪ Nominal Size 25	90		
Series IB 38-MS ▪ BG 12 ▪ Nominal Size 38	91		

**IB-MS**


### Series IB-MS ▪ Characteristics

**Description**

- Quick release coupling
- Dimensions according to ISO 7241-1, series B
- Valve design: double shut-off
- Connection under pressure: not permissible

**Working Pressure**

50 ... 300 bar / 50 ... 30 MPa / 725 ... 4350 PSI

The indicated pressure ratings only apply to the coupling itself and depend on the connection type.

**Working Temperature**

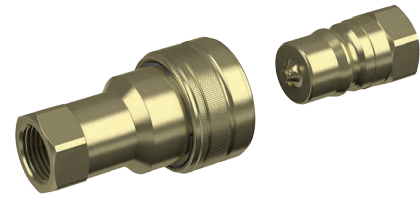
-25° C ... +200° C / -13° F ... +392° F

**Material**

Brass

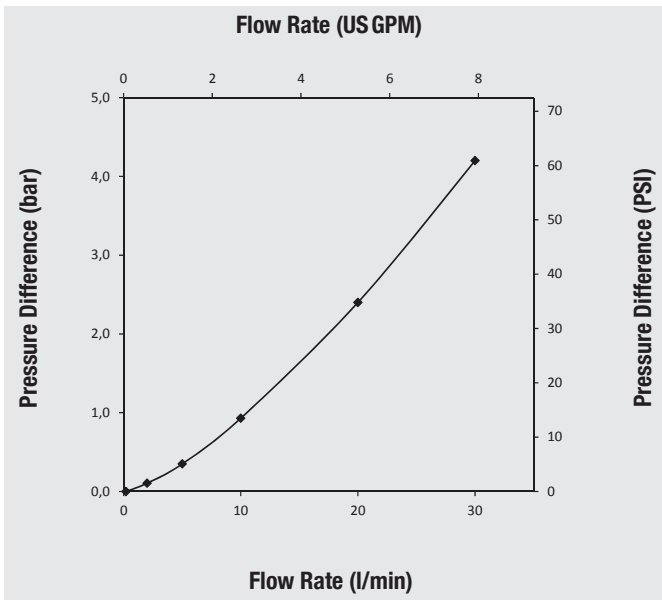
**Standard Seal Material(s)**

FKM (Viton®)

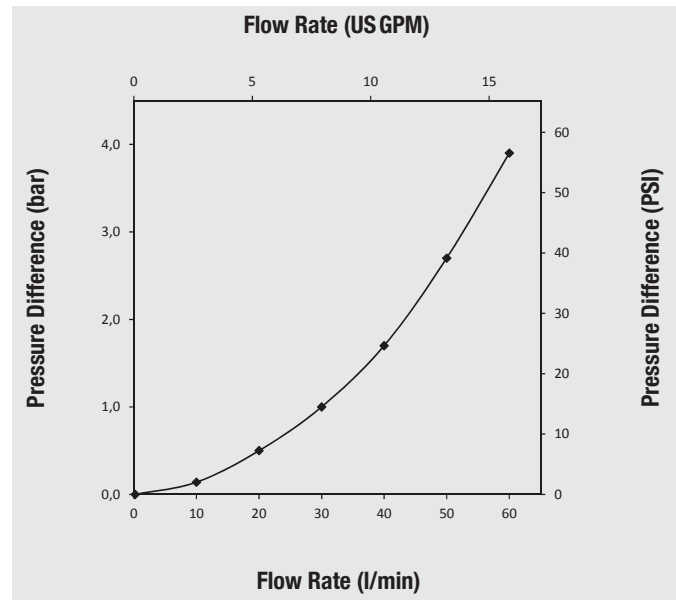


IB-MS

### Series IB 06-MS ▪ BG 1 ▪ Nominal Size 6,3



### Series IB 10-MS ▪ BG 2 ▪ Nominal Size 10

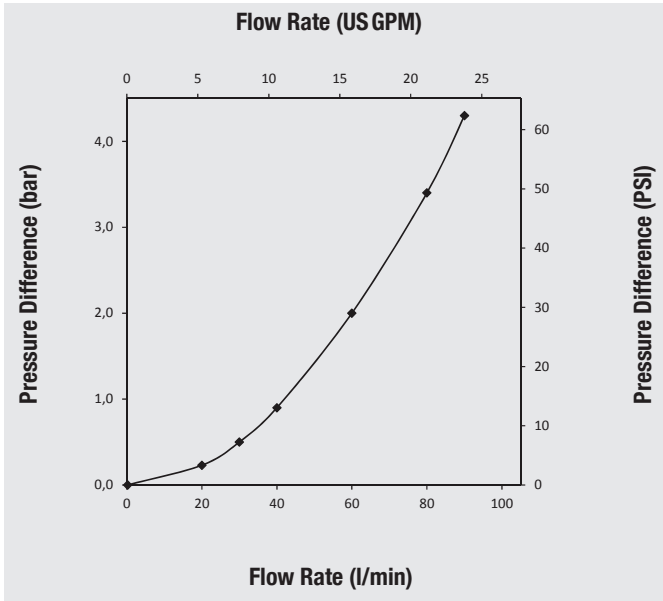


Please note: Unless otherwise stated, all flow characteristics have been determined with hydraulic oil with a kinematic viscosity of 36 mm<sup>2</sup>/s (36 cSt) and are only valid for components with non-reducing connections.

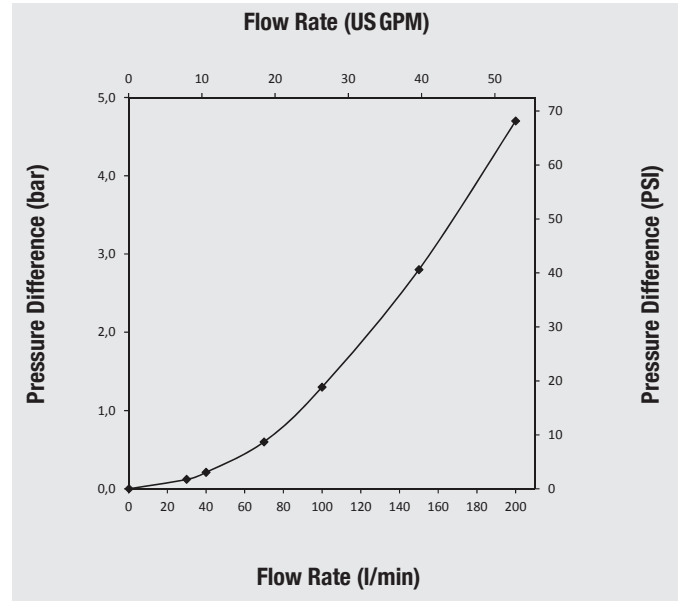




**Series IB 12-MS ▪ BG 3 ▪ Nominal Size 12,5**

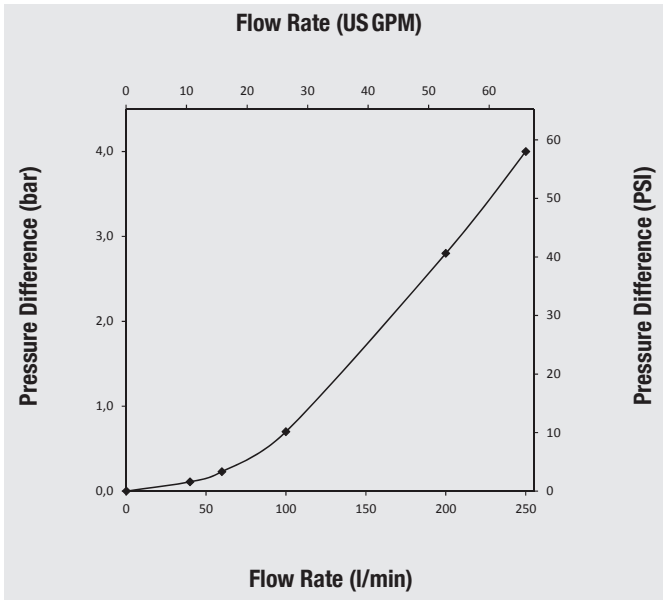


**Series IB 19-MS ▪ BG 6 ▪ Nominal Size 19**

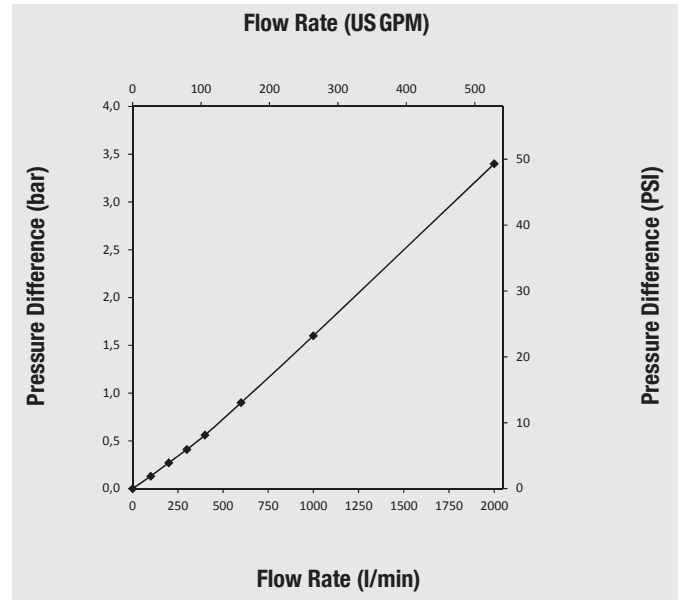


**IB-MS**

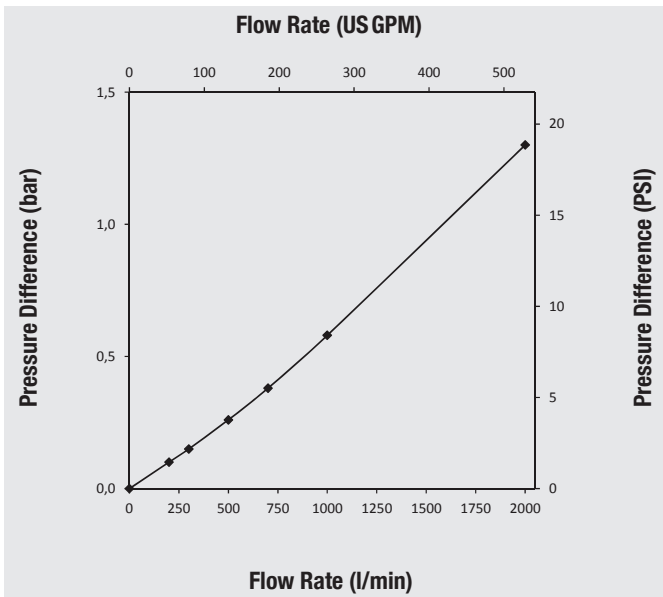
**Series IB 25-MS ▪ BG 8 ▪ Nominal Size 25**



**Series IB 38-MS ▪ BG 12 ▪ Nominal Size 38**



**Series IB 51-MS ▪ BG 14 ▪ Nominal Size 51**



**Series IB 06-MS • BG 1 • Nominal Size 6,3**

**Working Pressure**

200 bar / 20 MPa / 2901 PSI

**Burst Pressure**

800 bar / 80 MPa / 11603 PSI (Female Body)

800 bar / 80 MPa / 11603 PSI (Male Tip)

1200 bar / 120 MPa / 17405 PSI (Connected)

The indicated pressure ratings only apply to the coupling itself and depend on the connection type.

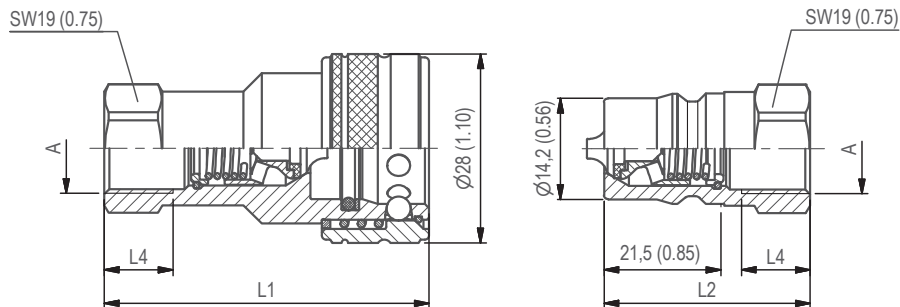
**Material**

Brass

**Standard Seal Material(s)**

FKM (Viton®)

Dimensions acc. to ISO 7241-1, series B.



SW: Width across flats. All dimensions in mm (inch). Drawing similar series IB 12-MS.

Port A	Dimensions ( <sup>mm</sup> / <sub>in</sub> )				Female Body		Weight	Male Tip		Weight
	ØD2	L1	L2	L3	L4 min	VOSWINKEL Part Numbers	( <sup>g</sup> / <sub>oz</sub> ) ca.	VOSWINKEL Part Numbers	( <sup>g</sup> / <sub>oz</sub> ) ca.	
Female Thread according to DIN 3852 - ANSI B 1.20.3										
	G 1/4"	60	38		12	IB06-1-IGF04-MS	133	IB06-2-IGF04-MS	43	
		2.36	1.50		0.47	QRC-IB-06-F-G04-VT-W69I	292.60	QRC-IB-06-M-G04-V-W69I	94.60	
	NPTF 1/4" -18	60	38			IB06-1-INF04-MS	134	IB06-2-INF04-MS	44	
		2.36	1.50			QRC-IB-06-F-NF04-VT-W69I	294.80	QRC-IB-06-M-NF04-V-W69I	96.80	



**Series IB 10-MS • BG 2 • Nominal Size 10**
**Working Pressure**

200 bar / 20 MPa / 2901 PSI

**Burst Pressure**

850 bar / 85 MPa / 12328 PSI (Female Body)

800 bar / 80 MPa / 11603 PSI (Male Tip)

950 bar / 95 MPa / 13779 PSI (Connected)

The indicated pressure ratings only apply to the coupling itself and depend on the connection type.

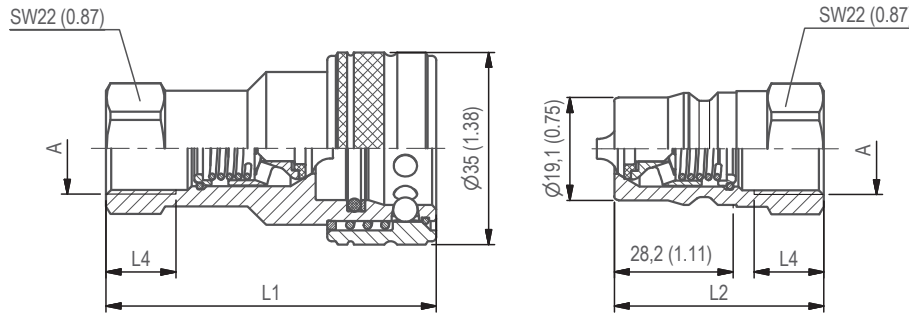
**Material**

Brass

**Standard Seal Material(s)**

FKM (Viton®)

Dimensions acc. to ISO 7241-1, series B.


**IB-MS**

SW: Width across flats. All dimensions in mm (inch). Drawing similar series IB 12-MS.

Port A	Dimensions (mm/in)				Female Body VOSWINKEL Part Numbers		Weight	Male Tip VOSWINKEL Part Numbers		Weight
	ØD2	L1	L2	L3	L4 min	STAUFF Ordering Codes	( <sup>g</sup> /oz) ca. per pc.	STAUFF Ordering Codes	( <sup>g</sup> /oz) ca. per pc.	
Female Thread according to DIN 3852 - ANSI B 1.20.3										
	G 3/8"	67,2	42,5		12	IB10-1-IGF06-MS	213	IB10-2-IGF06-MS	69	
		2.65	1.67		0.47	QRC-IB-10-F-G06-VT-W69I	468.60	QRC-IB-10-M-G06-V-W69I	151.80	
	NPTF 3/8" -18	67,2	42,5			IB10-1-INF06-MS	215	IB10-2-INF06-MS	71	
		2.65	1.67			QRC-IB-10-F-NF06-VT-W69I	473.00	QRC-IB-10-M-NF06-V-W69I	156.20	



**Series IB 12-MS ▪ BG 3 ▪ Nominal Size 12,5**

**Working Pressure**

180 bar / 18 MPa / 2611 PSI

**Burst Pressure**

900 bar / 90 MPa / 13054 PSI (Female Body)

720 bar / 72 MPa / 10443 PSI (Male Tip)

1000 bar / 100 MPa / 14504 PSI (Connected)

The indicated pressure ratings only apply to the coupling itself and depend on the connection type.

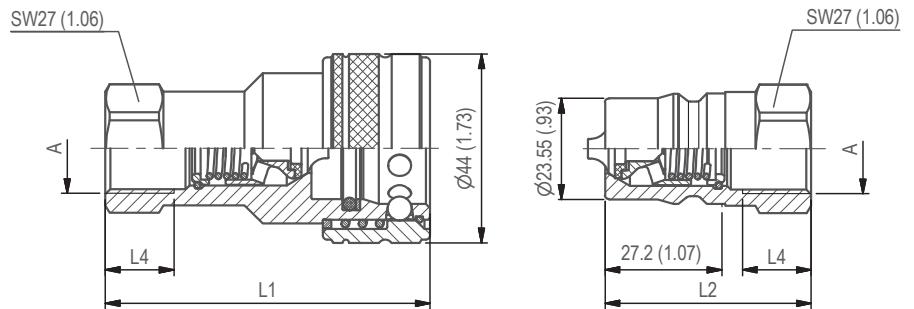
**Material**

Brass

**Standard Seal Material(s)**

FKM (Viton®)

Dimensions acc. to ISO 7241-1, series B.



SW: Width across flats. All dimensions in mm (inch).

Port A	Dimensions ( <sup>mm</sup> / <sub>in</sub> )				Female Body		Weight ( <sup>g</sup> / <sub>oz</sub> ) ca. per pc.	Male Tip		Weight ( <sup>g</sup> / <sub>oz</sub> ) ca. per pc.
	ØD2	L1	L2	L3	L4 min	VOSWINKEL Part Numbers STAUFF Ordering Codes		VOSWINKEL Part Numbers STAUFF Ordering Codes		
Female Thread according to DIN 3852 - ANSI B 1.20.3										
	G 1/2"	75,7	48		14	IB12-1-IGF08-MS	396	IB12-2-IGF08-MS	124	
		2.98	1.89		0.55	QRC-IB-12-F-G08-VT-W69I	871.20	QRC-IB-12-M-G08-V-W69I	272.80	
	NPTF 1/2" -14	75,7	48			IB12-1-INF08-MS	400	IB12-2-INF08-MS	128	
		2.98	1.89			QRC-IB-12-F-NF08-VT-W69I	880.00	QRC-IB-12-M-NF08-V-W69I	281.60	



**Series IB 19-MS • BG 6 • Nominal Size 19**
**Working Pressure**

130 bar / 13 MPa / 1886 PSI

**Burst Pressure**

650 bar / 65 MPa / 9428 PSI (Female Body)

550 bar / 55 MPa / 7977 PSI (Male Tip)

800 bar / 80 MPa / 11603 PSI (Connected)

The indicated pressure ratings only apply to the coupling itself and depend on the connection type.

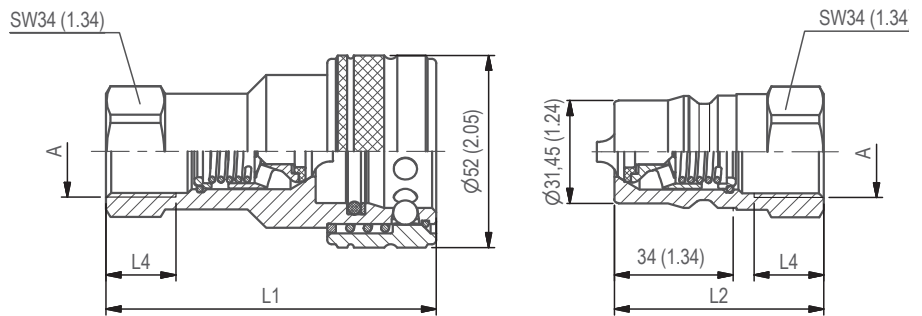
**Material**

Brass

**Standard Seal Material(s)**

FKM (Viton®)

Dimensions acc. to ISO 7241-1, series B.


**IB-MS**

SW: Width across flats. All dimensions in mm (inch). Drawing similar series IB 12-MS.

Port A	Dimensions (mm/in)				Female Body		Weight	Male Tip		Weight
	ØD2	L1	L2	L3	L4 min	VOSWINKEL Part Numbers	( <sup>g</sup> /oz) ca.	VOSWINKEL Part Numbers	( <sup>g</sup> /oz) ca.	
						STAUFF Ordering Codes	per pc.	STAUFF Ordering Codes	per pc.	
Female Thread according to DIN 3852 - ANSI B 1.20.3										
	G 3/4"	91,5	57		14	IB19-1-IGF12-MS	597	IB19-2-IGF12-MS	226	
		3.60	2.24		0.55	QRC-IB-19-F-G12-VT-W69I	1313.40	QRC-IB-19-M-G12-V-W69I	497.20	
	NPTF 3/4" -14	91,5	57			IB19-1-INF12-MS	601	IB19-2-INF12-MS	230	
		3.60	2.24			QRC-IB-19-F-NF12-VT-W69I	1322.20	QRC-IB-19-M-NF12-V-W69I	506.00	



**Series IB 25-MS ▪ BG 8 ▪ Nominal Size 25**

**Working Pressure**

130 bar / 13 MPa / 1886 PSI

**Burst Pressure**

700 bar / 70 MPa / 10153 PSI (Female Body)

550 bar / 55 MPa / 7977 PSI (Male Tip)

600 bar / 60 MPa / 8702 PSI (Connected)

The indicated pressure ratings only apply to the coupling itself and depend on the connection type.

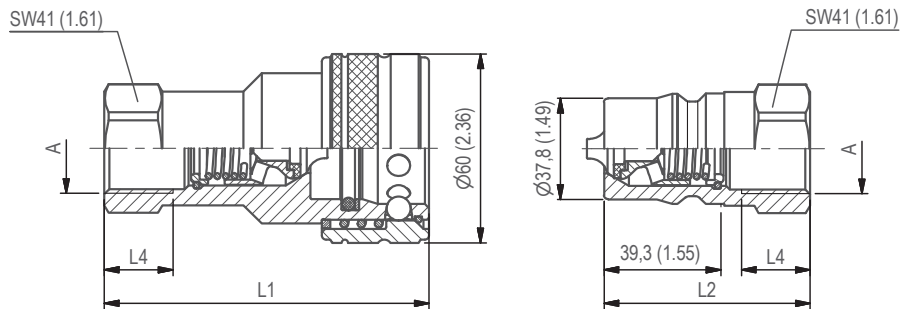
**Material**

Brass

**Standard Seal Material(s)**

FKM (Viton®)

Dimensions acc. to ISO 7241-1, series B.



SW: Width across flats. All dimensions in mm (inch). Drawing similar series IB 12-MS.

Port A	Dimensions ( <sup>mm</sup> / <sub>in</sub> )				Female Body		Weight	Male Tip		Weight
	ØD2	L1	L2	L3	L4 min	VOSWINKEL Part Numbers	( <sup>g</sup> / <sub>oz</sub> ) ca.	VOSWINKEL Part Numbers	( <sup>g</sup> / <sub>oz</sub> ) ca.	
Female Thread according to DIN 3852 - ANSI B 1.20.3										
	G 1"	105,8	65,5		16	IB25-1-IGF16-MS	938	IB25-2-IGF16-MS	392	
		4.17	2.58		0.63	QRC-IB-25-F-G16-VT-W69I	2063.60	QRC-IB-25-M-G16-V-W69I	862.40	
	NPTF 1" - 11 1/2	105,8	65,5			IB25-1-INF16-MS	950	IB25-2-INF16-MS	403	
		4.17	2.58			QRC-IB-25-F-NF16-VT-W69I	2090.00	QRC-IB-25-M-NF16-V-W69I	886.60	





**Series IB 38-MS ▪ BG 12 ▪ Nominal Size 38**
**Working Pressure**

60 bar / 6 MPa / 870PSI

**Burst Pressure**

250 bar / 25 MPa / 3626 PSI (Female Body)

250 bar / 25 MPa / 3626 PSI (Male Tip)

250 bar / 25 MPa / 3626 PSI (Connected)

The indicated pressure ratings only apply to the coupling itself and depend on the connection type.

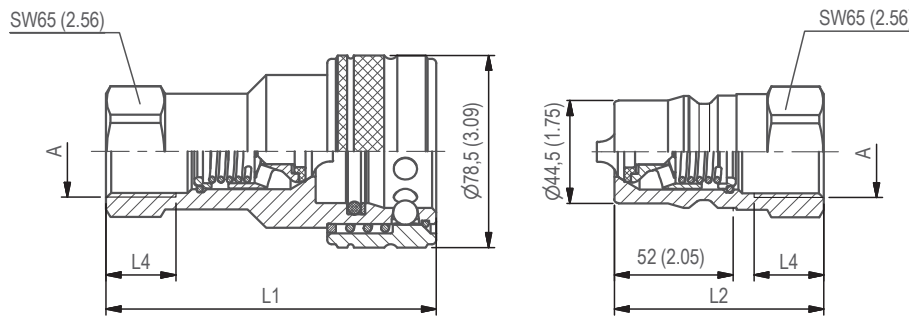
**Material**

Brass

**Standard Seal Material(s)**

FKM (Viton®)

Dimensions acc. to ISO 7241-1, series B.


**IB-MS**

SW: Width across flats. All dimensions in mm (inch). Drawing similar series IB 12-MS.

Port A	Dimensions ( <sup>mm</sup> / <sub>in</sub> )				Female Body		Weight	Male Tip		Weight
	ØD2	L1	L2	L3	L4 min	VOSWINKEL Part Numbers	( <sup>g</sup> / <sub>oz</sub> ) ca.	VOSWINKEL Part Numbers	( <sup>g</sup> / <sub>oz</sub> ) ca.	
						STAUFF Ordering Codes	per pc.	STAUFF Ordering Codes	per pc.	
<b>Female Thread according to DIN 3852 - ANSI B 1.20.3</b>										
	G 1 1/4"	126,5	127		20	IB38-1-IGF20-MS	2198	IB38-2-IGF20-MS	1452	
		4.98	5.00		0.79	QRC-IB-38-F-G20-VT-W69I	4835.60	QRC-IB-38-M-G20-V-W69I	3194.40	
	NPTF 1 1/4" -11 1/2	126,5	127			IB38-1-INF20-MS	2170	IB38-2-INF20-MS	1469	
		4.98	5.00			QRC-IB-38-F-NF20-VT-W69I	4774.00	QRC-IB-38-M-NF20-V-W69I	3231.80	
	G 1 1/2"	126,5	127		22	IB38-1-IGF24-MS	2126	IB38-2-IGF24-MS	1371	
		4.98	5.00		0.87	QRC-IB-38-F-G24-VT-W69I	4677.20	QRC-IB-38-M-G24-V-W69I	3016.20	
NPTF 1 1/2" -11 1/2	126,5	127			IB38-1-INF24-MS	2148	IB38-2-INF24-MS	1390		
	4.98	5.00			QRC-IB-38-F-NF24-VT-W69I	4725.60	QRC-IB-38-M-NF24-V-W69I	3058.00		



**Series IB 51-MS ▪ BG 14 ▪ Nominal Size 51**

**Working Pressure**

50 bar / 5 MPa / 725 PSI

**Burst Pressure**

200 bar / 20 MPa / 2901 PSI (Female Body)

200 bar / 20 MPa / 2901 PSI (Male Tip)

200 bar / 20 MPa / 2901 PSI (Connected)

The indicated pressure ratings only apply to the coupling itself and depend on the connection type.

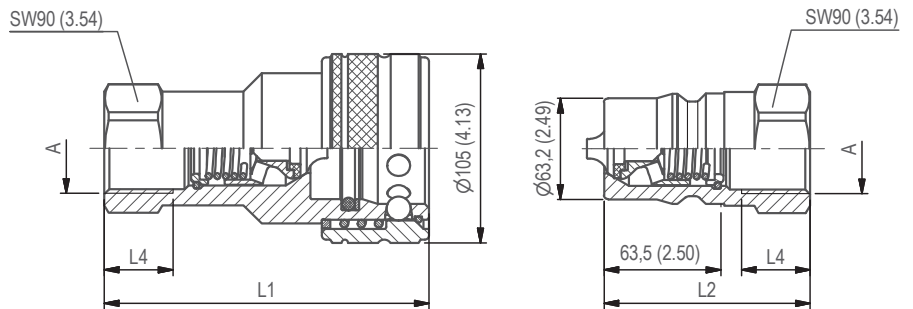
**Material**

Brass

**Standard Seal Material(s)**

FKM (Viton®)

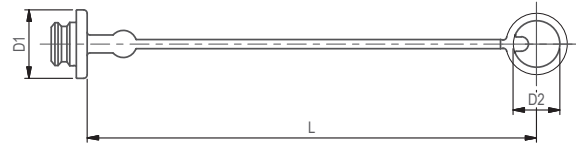
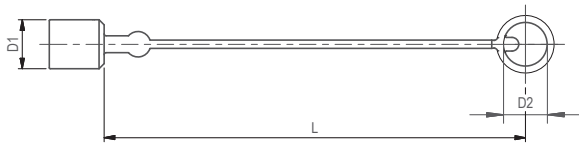
Dimensions acc. to ISO 7241-1, series B.



SW: Width across flats. All dimensions in mm (inch). Drawing similar series IB 12-MS.

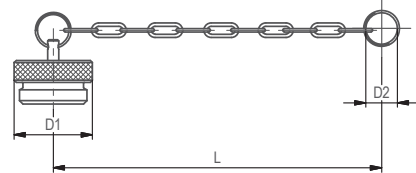
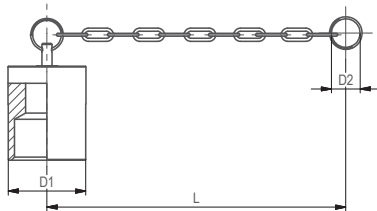
Port A	Dimensions ( <sup>mm</sup> / <sub>in</sub> )				Female Body		Weight	Male Tip		Weight
	ØD2	L1	L2	L3	L4 min	VOSWINKEL Part Numbers	( <sup>g</sup> / <sub>oz</sub> ) ca.	VOSWINKEL Part Numbers	( <sup>g</sup> / <sub>oz</sub> ) ca.	
Female Thread according to DIN 3852 - ANSI B 1.20.3						STAUFF Ordering Codes	per pc.	STAUFF Ordering Codes	per pc.	
	G 2"	142	142,5		24	IB51-1-IGF32-MS	5320	IB51-2-IGF32-MS	3470	
		5.59	5.61		0.94	QRC-IB-51-F-G32-VT-W69I	11704.00	QRC-IB-51-M-G32-V-W69I	7634.00	
	NPTF 2" - 11 1/2	142	142,5			IB51-1-INF32-MS	5370	IB51-2-INF32-MS	3520	
		5.59	5.61			QRC-IB-51-F-NF32-VT-W69I	11814.00	QRC-IB-51-M-NF32-V-W69I	7744.00	



**Series IB-MS • Dust Protection**


Dimensions (mm/in)			Material	Dust Cap for Male Tip	
D1	D2	L		VOSWINKEL Part Numbers	STAUFF Ordering Codes
18	23	240	Plastic (Colour: Red)	IB06-0-RT001	QRC-IB-06-DM-23-KI-RD
.71	.91	9.45			
23	24	240	Plastic (Colour: Red)	IB10-0-RT001	QRC-IB-10-DM-24-KI-RD
.91	.94	9.45			
29	28	245	Plastic (Colour: Red)	IB12-0-RT001	QRC-IB-12-DM-28-KI-RD
1.14	1.10	9.65			
36,0	38	245	Plastic (Colour: Red)	IB19-0-RT001	QRC-IB-19-DM-38-KI-RD
1.42	1.50	9.65			
44	44	253	Plastic (Colour: Red)	IB25-0-RT001	QRC-IB-25-DM-44-KI-RD
1.73	1.73	9.96			

Dimensions (mm/in)			Material	Dust Plug for Female Body	
D1	D2	L		VOSWINKEL Part Numbers	STAUFF Ordering Codes
26	23	240	Plastic (Colour: Red)	IB06-9-RT001	QRC-IB-06-DF-23-KI-RD
1.02	.91	9.45			
33	25	235	Plastic (Colour: Red)	IB10-9-RT001	QRC-IB-10-DF-25-KI-RD
1.30	.98	9.25			
38	29	240	Plastic (Colour: Red)	IB12-9-RT001	QRC-IB-12-DF-29-KI-RD
1.50	1.14	9.45			
49	38	240	Plastic (Colour: Red)	IB19-9-RT001	QRC-IB-19-DF-38-KI-RD
1.93	1.50	9.45			
60	46	245	Plastic (Colour: Red)	IB25-9-RT001	QRC-IB-25-DF-46-KI-RD
2.36	1.81	9.65			

**IB-MS**


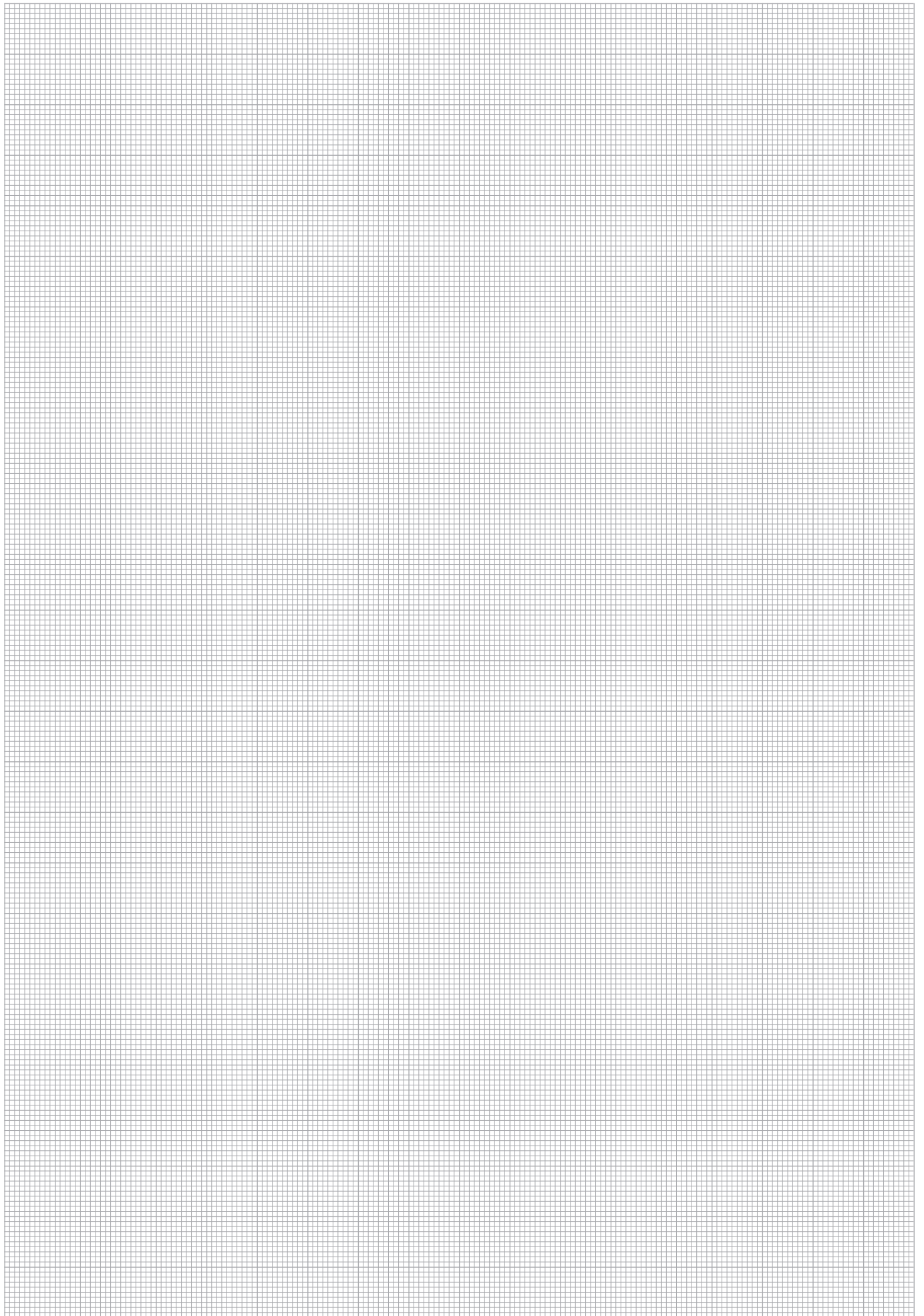
Dimensions (mm/in)			Material	Dust Cap for Male Tip	
D1	D2	L		VOSWINKEL Part Numbers	STAUFF Ordering Codes
22	28	245	Aluminium with chain	IB06-0-SI001	QRC-IB-06-DM-28/CN-W89I-SI
.87	1.10	9.65			
27	30	155	Aluminium with chain	IB10-0-SI001	QRC-IB-10-DM-30/CN-W89I-SI
1.06	1.18	6.10			
35	41	265	Aluminium with chain	IB12-0-SI001	QRC-IB-12-DM-41/CN-W89I-SI
1.38	1.61	10.43			
42	30	250	Aluminium with chain	IB19-0-SI001	QRC-IB-19-DM-30/CN-W89I-SI
1.65	1.18	9.84			
48	49	340	Aluminium with chain	IB25-0-SI001	QRC-IB-25-DM-49/CN-W89I-SI
1.89	1.93	13.39			
55	46	225	Aluminium with chain	IB38-0-SI001	QRC-IB-38-DM-46/CN-W89I-SI
2.17	1.81	8.86			
80	75	350	Aluminium with chain	IB51-0-SI001	QRC-IB-51-DM-75/CN-W89I-SI
3.15	2.95	13.78			

Dimensions (mm/in)			Material	Dust Plug for Female Body	
D1	D2	L		VOSWINKEL Part Numbers	STAUFF Ordering Codes
22	30	210	Aluminium with chain	IB06-9-SI001	QRC-IB-06-DF-30/CN-W89I-SI
.87	1.18	8.27			
22	30	155	Aluminium with chain	IB10-9-SI001	QRC-IB-10-DF-30/CN-W89I-SI
.87	1.18	6.10			
28	41	305	Aluminium with chain	IB12-9-SI001	QRC-IB-12-DF-41/CN-W89I-SI
1.10	1.61	12.01			
35	43	265	Aluminium with chain	IB19-9-SI001	QRC-IB-19-DF-43/CN-W89I-SI
1.38	1.69	10.43			
44	41	240	Aluminium with chain	IB25-9-SI001	QRC-IB-25-DF-41/CN-W89I-SI
1.73	1.61	9.45			
74	46	225	Aluminium with chain	IB38-9-SI001	QRC-IB-38-DF-46/CN-W89I-SI
2.91	1.81	8.86			
105	75	350	Aluminium with chain	IB51-9-SI001	QRC-IB-51-DF-75/CN-W89I-SI
4.13	2.95	13.78			

In addition to the standard colours as stated above, plastic dust caps are also available in blue, green, yellow and black. Please use the VOSWINKEL codes BL, GN, GE and SW respectively instead of RT. Please use the STAUFF codes BU, GN, YE and BK respectively instead of RD.



IB-MS



Series IB-VA ▪ Characteristics	96 - 97	Series IB 51-VA ▪ BG 14 ▪ Nominal Size 51	104
Series IB 06-VA ▪ BG 1 ▪ Nominal Size 6,3	98	Series IB-VA ▪ Dust Protection	105
Series IB 10-VA ▪ BG 2 ▪ Nominal Size 10	99		
Series IB 12-VA ▪ BG 3 ▪ Nominal Size 12,5	100		
Series IB 19-VA ▪ BG 6 ▪ Nominal Size 19	101		
Series IB 25-VA ▪ BG 8 ▪ Nominal Size 25	102		
Series IB 38-VA ▪ BG 12 ▪ Nominal Size 38	103		

**IB-VA**


### Series IB-VA ▪ Characteristics

**Description**

- Quick release coupling
- Dimensions according to ISO 7241-1, series B
- Valve design: double shut-off
- Connection under pressure: not permissible

**Working Pressure**

60 ... 400 bar / 6 ... 40 MPa / 870 ... 5800 PSI

The indicated pressure ratings only apply to the coupling itself and depend on the connection type.

**Working Temperature**

-25° C ... +200° C / -13° F ... +392° F

**Material**

Stainless Steel V4A (AISI 316)

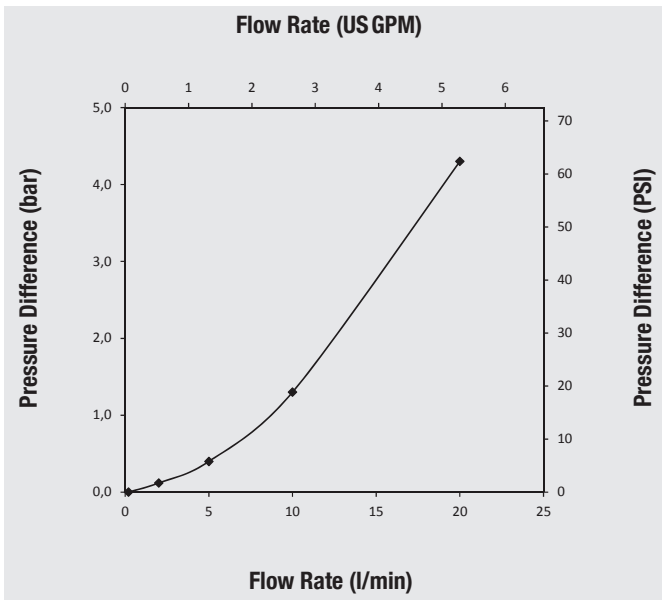
**Standard Seal Material(s)**

FKM (Viton®)

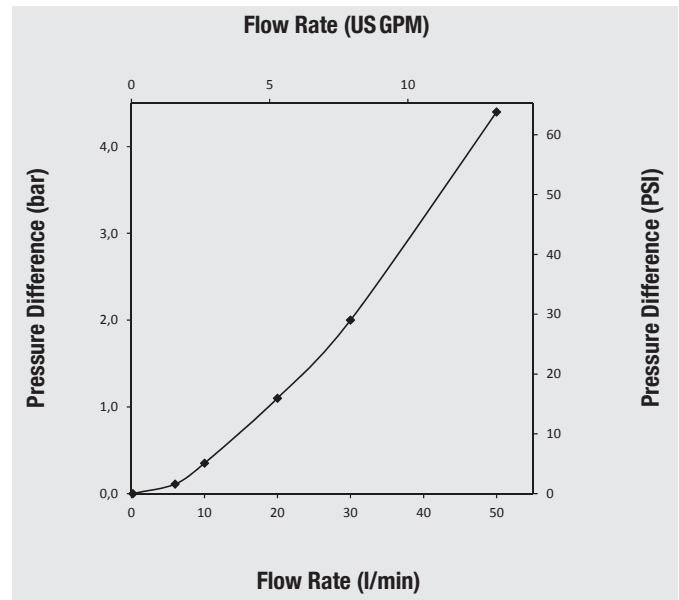


IB-VA

### Series IB 06-VA ▪ BG 1 ▪ Nominal Size 6,3



### Series IB 10-VA ▪ BG 2 ▪ Nominal Size 10

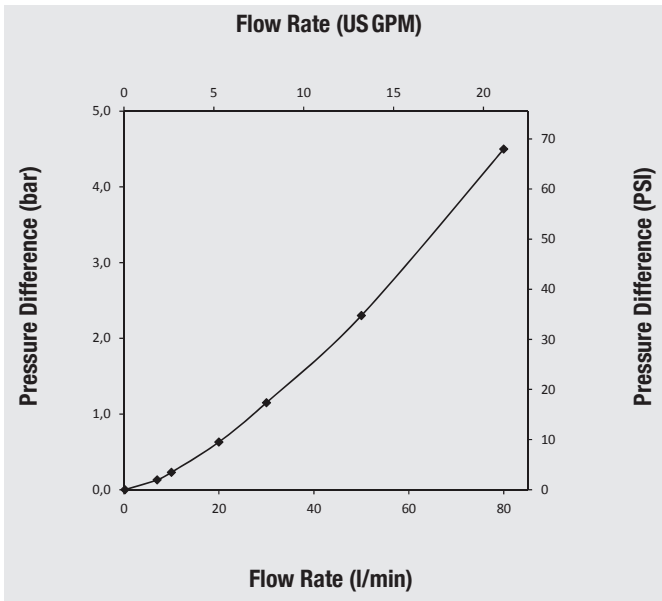


Please note: Unless otherwise stated, all flow characteristics have been determined with hydraulic oil with a kinematic viscosity of 36 mm<sup>2</sup>/s (36 cSt) and are only valid for components with non-reducing connections.

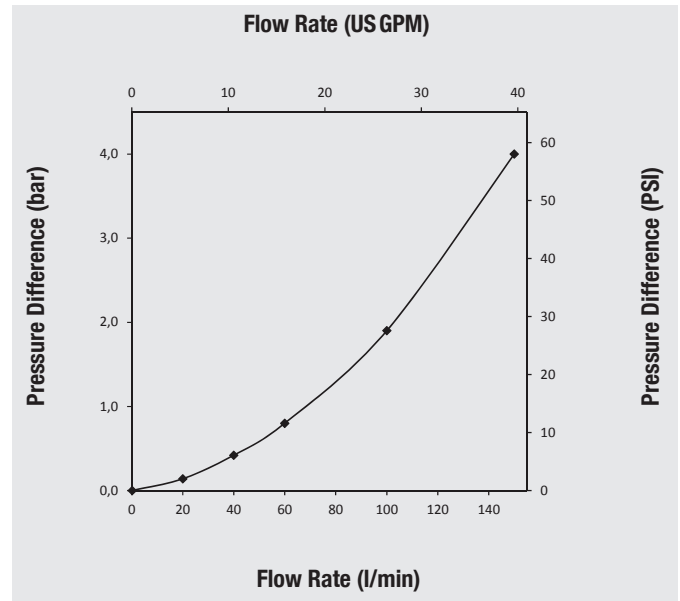




**Series IB 12-VA ▪ BG 3 ▪ Nominal Size 12,5**

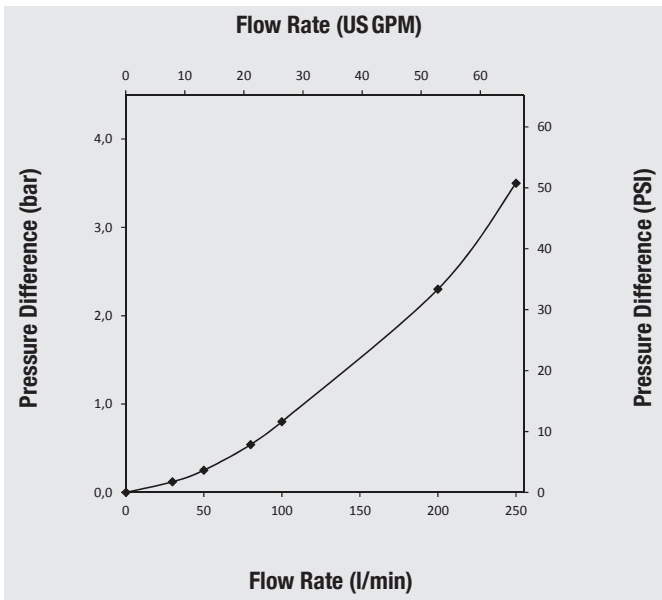


**Series IB 19-VA ▪ BG 6 ▪ Nominal Size 19**

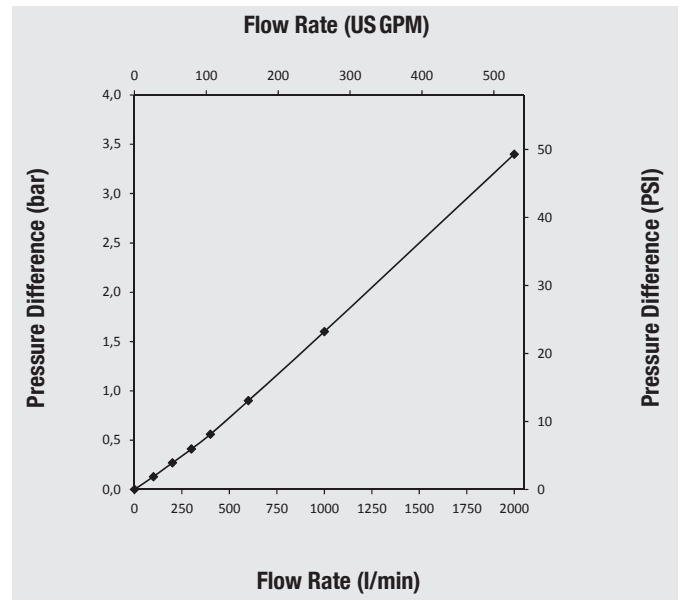


**IB-VA**

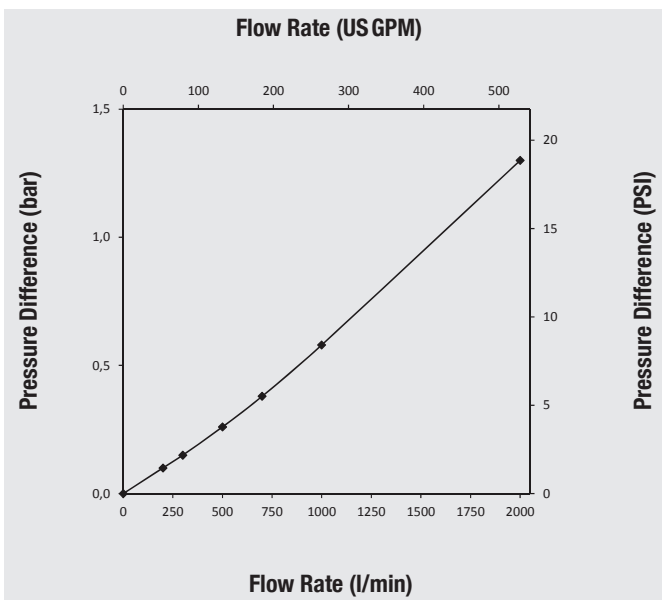
**Series IB 25-VA ▪ BG 8 ▪ Nominal Size 25**



**Series IB 38-VA ▪ BG 12 ▪ Nominal Size 38**



**Series IB 51-VA ▪ BG 14 ▪ Nominal Size 51**



**Series IB 06-VA • BG 1 • Nominal Size 6,3**

**Working Pressure**

350 bar / 35 MPa / 5076 PSI

**Burst Pressure**

1500 bar / 150 MPa / 21756 PSI (Female Body)

1700 bar / 170 MPa / 24657 PSI (Male Tip)

1600 bar / 160 MPa / 23206 PSI (Connected)

The indicated pressure ratings only apply to the coupling itself and depend on the connection type.

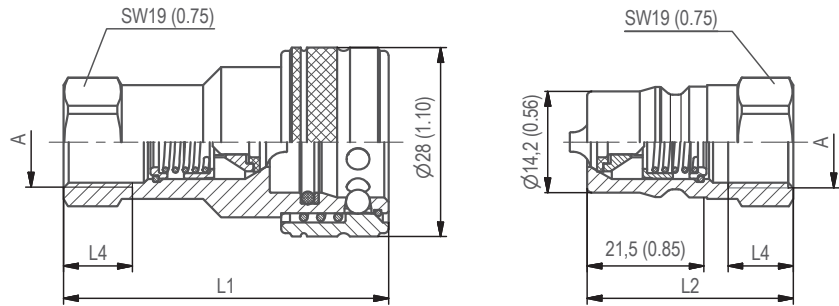
**Material**

Stainless Steel V4A (AISI 316)

**Standard Seal Material(s)**

FKM (Viton®)

Dimensions acc. to ISO 7241-1, series B.



SW: Width across flats. All dimensions in mm (inch). Drawing similar series IB 12-VA.

Port A	Dimensions ( <sup>mm</sup> / <sub>in</sub> )				Female Body		Weight	Male Tip		Weight
	ØD2	L1	L2	L3	L4 min	VOSWINKEL Part Numbers	( <sup>g</sup> / <sub>oz</sub> ) ca.	VOSWINKEL Part Numbers	( <sup>g</sup> / <sub>oz</sub> ) ca.	
Female Thread according to DIN 3852 - ANSI B 1.20.3										
	G 1/4"	60	38		12	IB06-1-IGF04-VA	130	IB06-2-IGF04-VA	40	
		2.36	1.50		0.47	QRC-IB-06-F-G04-VT-W5I	286.00	QRC-IB-06-M-G04-V-W5I	88.00	
	NPTF 1/4" -18	60	38			IB06-1-INF04-VA	131	IB06-2-INF04-VA	41	
		2.36	1.50			QRC-IB-06-F-NF04-VT-W5I	288.20	QRC-IB-06-M-NF04-V-W5I	90.20	



**Series IB 10-VA ▪ BG 2 ▪ Nominal Size 10**
**Working Pressure**

300 bar / 30 MPa / 4351 PSI

**Burst Pressure**

1100 bar / 110 MPa / 15954 PSI (Female Body)

1100 bar / 110 MPa / 15954 PSI (Male Tip)

2100 bar / 210 MPa / 30458 PSI (Connected)

The indicated pressure ratings only apply to the coupling itself and depend on the connection type.

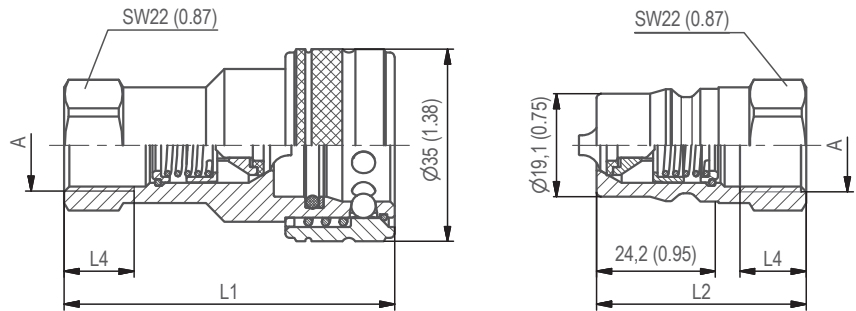
**Material**

Stainless Steel V4A (AISI 316)

**Standard Seal Material(s)**

FKM (Viton®)

Dimensions acc. to ISO 7241-1, series B.



SW: Width across flats. All dimensions in mm (inch). Drawing similar series IB 12-VA.

Port A	Dimensions (mm/in)				Female Body		Weight	Male Tip		Weight
	ØD2	L1	L2	L3	L4 min	VOSWINKEL Part Numbers	( <sup>g</sup> / <sub>oz</sub> ) ca.	VOSWINKEL Part Numbers	( <sup>g</sup> / <sub>oz</sub> ) ca.	
Female Thread according to DIN 3852 - ANSI B 1.20.3						STAUFF Ordering Codes	per pc.	STAUFF Ordering Codes	per pc.	
	G 3/8"	65,2	40,5		12	IB10-1-IGF06-VA	197	IB10-2-IGF06-VA	60	
		2,57	1,59		0,47	QRC-IB-10-F-G06-VT-W5I	433,40	QRC-IB-10-M-G06-V-W5I	132,00	
	NPTF 3/8" -18	65,2	40,5			IB10-1-INF06-VA	198	IB10-2-INF06-VA	61	
		2,57	1,59			QRC-IB-10-F-NF06-VT-W5I	435,60	QRC-IB-10-M-NF06-V-W5I	134,20	

**IB-VA**


**Series IB 12-VA ▪ BG 3 ▪ Nominal Size 12,5**

**Working Pressure**

300 bar / 30 MPa / 4351 PSI

**Burst Pressure**

1400 bar / 140 MPa / 20306 PSI (Female Body)

1500 bar / 150 MPa / 21756 PSI (Male Tip)

1500 bar / 150 MPa / 21756 PSI (Connected)

The indicated pressure ratings only apply to the coupling itself and depend on the connection type.

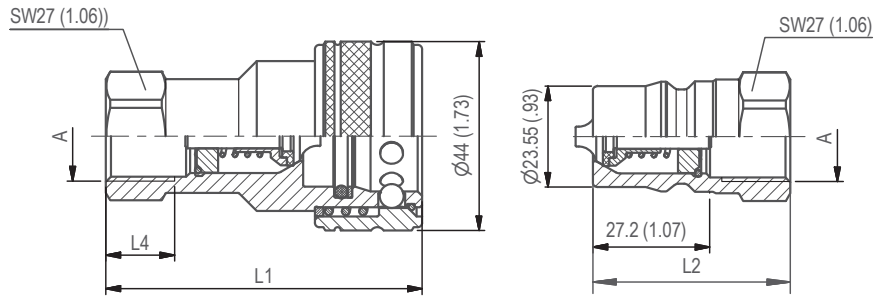
**Material**

Stainless Steel V4A (AISI 316)

**Standard Seal Material(s)**

FKM (Viton®)

Dimensions acc. to ISO 7241-1, series B.



SW: Width across flats. All dimensions in mm (inch).

Port A	Dimensions ( <sup>mm</sup> / <sub>in</sub> )				Female Body		Weight ( <sup>g</sup> / <sub>oz</sub> ) ca. per pc.	Male Tip		Weight ( <sup>g</sup> / <sub>oz</sub> ) ca. per pc.
	ØD2	L1	L2	L3	L4 min	VOSWINKEL Part Numbers		VOSWINKEL Part Numbers	STAUFF Ordering Codes	
Female Thread according to DIN 3852 - ANSI B 1.20.3										
	G 1/2"	73,7	46		14	IB12-1-IGF08-VA	346	IB12-2-IGF08-VA	107	
		2.90	1.81		0.55	QRC-IB-12-F-G08-VT-W5I	761.20	QRC-IB-12-M-G08-V-W5I	235.40	
	NPTF 1/2" -14	73,7	46			IB12-1-INF08-VA	350	IB12-2-INF08-VA	109	
		2.90	1.81			QRC-IB-12-F-NF08-VT-W5I	770.00	QRC-IB-12-M-NF08-V-W5I	239.80	



**Series IB 19-VA ▪ BG 6 ▪ Nominal Size 19**
**Working Pressure**

220 bar / 22 MPa / 3191 PSI

**Burst Pressure**

900 bar / 90 MPa / 13054 PSI (Female Body)

1000 bar / 100 MPa / 14504 PSI (Male Tip)

1000 bar / 100 MPa / 14504 PSI (Connected)

The indicated pressure ratings only apply to the coupling itself and depend on the connection type.

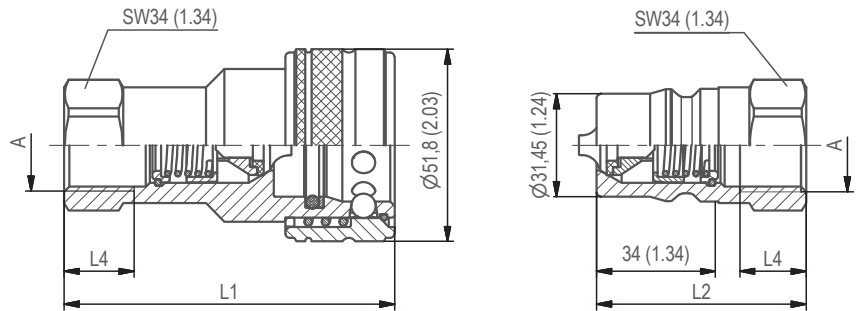
**Material**

Stainless Steel V4A (AISI 316)

**Standard Seal Material(s)**

FKM (Viton®)

Dimensions acc. to ISO 7241-1, series B.



SW: Width across flats. All dimensions in mm (inch). Drawing similar series IB 12-VA.

**IB-VA**

Port A	Dimensions (mm/in)				Female Body		Weight	Male Tip		Weight
	ØD2	L1	L2	L3	L4 min	VOSWINKEL Part Numbers	( <sup>g</sup> /oz) ca.	VOSWINKEL Part Numbers	( <sup>g</sup> /oz) ca.	
						STAUFF Ordering Codes	per pc.	STAUFF Ordering Codes	per pc.	
Female Thread according to DIN 3852 - ANSI B 1.20.3										
	G 3/4"	91,5	57		16	IB19-1-IGF12-VA	560	IB19-2-IGF12-VA	210	
		3.60	2.24		0.63	QRC-IB-19-F-G12-VT-W5I	1232.00	QRC-IB-19-M-G12-V-W5I	462.00	
	NPTF 3/4" -14	91,5	57			IB19-1-INF12-VA	565	IB19-2-INF12-VA	215	
		3.60	2.24			QRC-IB-19-F-NF12-VT-W5I	1243.00	QRC-IB-19-M-NF12-V-W5I	473.00	



**Series IB 25-VA • BG 8 • Nominal Size 25**

**Working Pressure**

200 bar / 20 MPa / 2901 PSI

**Burst Pressure**

650 bar / 65 MPa / 9428 PSI (Female Body)

600 bar / 60 MPa / 8702 PSI (Male Tip)

850 bar / 85 MPa / 12328 PSI (Connected)

The indicated pressure ratings only apply to the coupling itself and depend on the connection type.

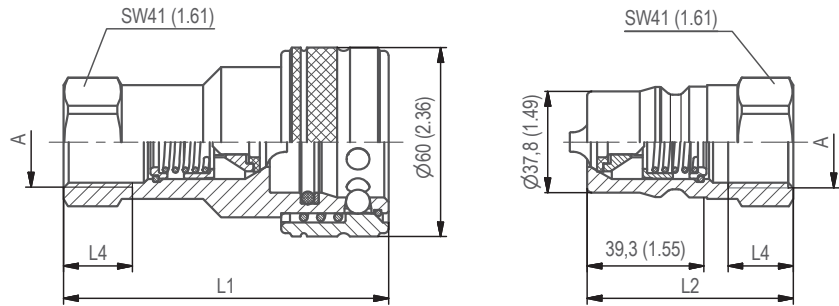
**Material**

Stainless Steel V4A (AISI 316)

**Standard Seal Material(s)**

FKM (Viton®)

Dimensions acc. to ISO 7241-1, series B.



SW: Width across flats. All dimensions in mm (inch). Drawing similar series IB 12-VA.

Port A	Dimensions (mm/in)				Female Body VOSWINKEL Part Numbers		Weight ( <sup>g</sup> /oz) ca. per pc.	Male Tip VOSWINKEL Part Numbers		Weight ( <sup>g</sup> /oz) ca. per pc.
	ØD2	L1	L2	L3	L4 min	STAUFF Ordering Codes		STAUFF Ordering Codes		
Female Thread according to DIN 3852 - ANSI B 1.20.3										
	G 1"	103,8	63,5		18	IB25-1-IGF16-VA	908	IB25-2-IGF16-VA	342	
		4.09	2.50		0.71	QRC-IB-25-F-G16-VT-W5I	1997.60	QRC-IB-25-M-G16-V-W5I	752.40	
	NPTF 1" - 1 1/2	103,8	63,5			IB25-1-INF16-VA	918	IB25-2-INF16-VA	352	
		4.09	2.50			QRC-IB-25-F-NF16-VT-W5I	2019.60	QRC-IB-25-M-NF16-V-W5I	774.40	





**Series IB 38-VA • BG 12 • Nominal Size 38**
**Working Pressure**

80 bar / 8 MPa / 1160 PSI

**Burst Pressure**

250 bar / 25 MPa / 3626 PSI (Female Body)

250 bar / 25 MPa / 3626 PSI (Male Tip)

250 bar / 25 MPa / 3626 PSI (Connected)

The indicated pressure ratings only apply to the coupling itself and depend on the connection type.

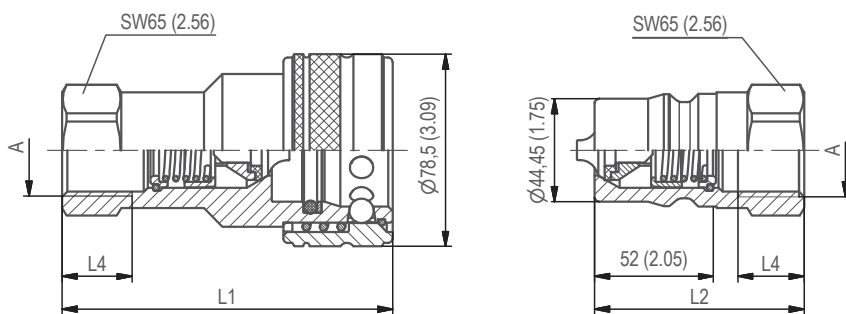
**Material**

Stainless Steel V4A (AISI 316)

**Standard Seal Material(s)**

FKM (Viton®)

Dimensions acc. to ISO 7241-1, series B.



SW: Width across flats. All dimensions in mm (inch). Drawing similar series IB 12-VA.

Port A	Dimensions (mm/in)				Female Body VOSWINKEL Part Numbers		Weight ( <sup>g</sup> oz) ca. per pc.	Male Tip VOSWINKEL Part Numbers		Weight ( <sup>g</sup> oz) ca. per pc.
	ØD2	L1	L2	L3	L4 min	STAUFF Ordering Codes		STAUFF Ordering Codes		
Female Thread according to DIN 3852 - ANSI B 1.20.3										
	G 1 1/4"	126,5 4.98	127 5.00		20 0.79	IB38-1-IGF20-VA QRC-IB-38-F-G20-VT-W5I	2166 4765.20	IB38-2-IGF20-VA QRC-IB-38-M-G20-V-W5I	1382 3040.40	
	NPTF 1 1/4" -11 1/2	126,5 4.98	127 5.00			IB38-1-INF20-VA QRC-IB-38-F-NF20-VT-W5I	2178 4791.60	IB38-2-INF20-VA QRC-IB-38-M-NF20-V-W5I	1394 3066.80	
	G 1 1/2"	126,5 4.98	127 5.00		22 0.87	IB38-1-IGF24-VA QRC-IB-38-F-G24-VT-W5I	2080 4576.00	IB38-2-IGF24-VA QRC-IB-38-M-G24-V-W5I	1304 2868.80	
	NPTF 1 1/2" -11 1/2	126,5 4.98	127 5.00			IB38-1-INF24-VA QRC-IB-38-F-NF24-VT-W5I	2095 4609.00	IB38-2-INF24-VA QRC-IB-38-M-NF24-V-W5I	1320 2904.00	

**IB-VA**


**Series IB 51-VA ▪ BG 14 ▪ Nominal Size 51**

**Working Pressure**

60 bar / 6 MPa / 870 PSI

**Burst Pressure**

200 bar / 20 MPa / 2901 PSI (Female Body)

200 bar / 20 MPa / 2901 PSI (Male Tip)

200 bar / 20 MPa / 2901 PSI (Connected)

The indicated pressure ratings only apply to the coupling itself and depend on the connection type.

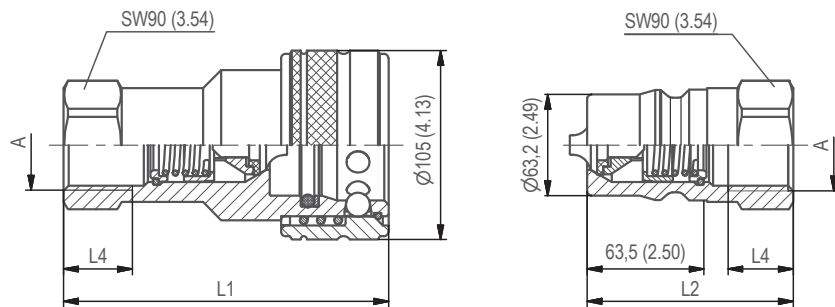
**Material**

Stainless Steel V4A (AISI 316)

**Standard Seal Material(s)**

FKM (Viton®)

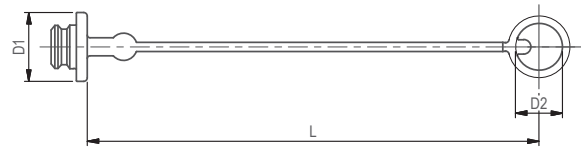
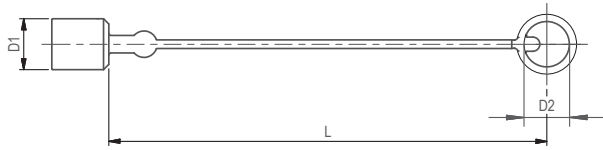
Dimensions acc. to ISO 7241-1, series B.



SW: Width across flats. All dimensions in mm (inch). Drawing similar series IB 12-VA.

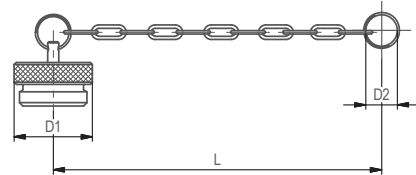
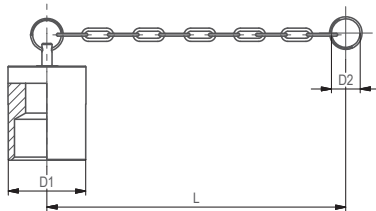
Port A	Dimensions ( <sup>mm</sup> / <sub>in</sub> )				Female Body		Weight	Male Tip		Weight
	ØD2	L1	L2	L3	L4 min	VOSWINKEL Part Numbers	( <sup>g</sup> / <sub>oz</sub> ) ca.	VOSWINKEL Part Numbers	( <sup>g</sup> / <sub>oz</sub> ) ca.	
						STAUFF Ordering Codes	per pc.	STAUFF Ordering Codes	per pc.	
Female Thread according to DIN 3852 - ANSI B 1.20.3										
	G 2"	142	142,5		24	IB51-1-IGF32-VA	4970	IB51-2-IGF32-VA	3290	
		5.59	5.61		0.94	QRC-IB-51-F-G32-VT-W5I	10934.00	QRC-IB-51-M-G32-V-W5I	7238.00	
	NPTF 2" - 11 1/2	142	142,5			IB51-1-INF32-VA	5050	IB51-2-INF32-VA	3300	
		5.59	5.61			QRC-IB-51-F-NF32-VT-W5I	11110.00	QRC-IB-51-M-NF32-V-W5I	7260.00	



**Series IB-VA • Dust Protection**


Dimensions (mm/in)			Material	Dust Cap for Male Tip	
D1	D2	L		VOSWINKEL Part Numbers	STAUFF Ordering Codes
18	23	240	Plastic (Colour: Red)	IB06-0-RT001	QRC-IB-06-DM-23-KI-RD
.71	.91	9.45			
23	24	240	Plastic (Colour: Red)	IB10-0-RT001	QRC-IB-10-DM-24-KI-RD
.91	.94	9.45			
29	28	245	Plastic (Colour: Red)	IB12-0-RT001	QRC-IB-12-DM-28-KI-RD
1.14	1.10	9.65			
36,0	38	245	Plastic (Colour: Red)	IB19-0-RT001	QRC-IB-19-DM-38-KI-RD
1.42	1.50	9.65			
44	44	253	Plastic (Colour: Red)	IB25-0-RT001	QRC-IB-25-DM-44-KI-RD
1.73	1.73	9.96			

Dimensions (mm/in)			Material	Dust Plug for Female Body	
D1	D2	L		VOSWINKEL Part Numbers	STAUFF Ordering Codes
26	23	240	Plastic (Colour: Red)	IB06-9-RT001	QRC-IB-06-DF-23-KI-RD
1.02	.91	9.45			
33	25	235	Plastic (Colour: Red)	IB10-9-RT001	QRC-IB-10-DF-25-KI-RD
1.30	.98	9.25			
38	29	240	Plastic (Colour: Red)	IB12-9-RT001	QRC-IB-12-DF-29-KI-RD
1.50	1.14	9.45			
49	38	240	Plastic (Colour: Red)	IB19-9-RT001	QRC-IB-19-DF-38-KI-RD
1.93	1.50	9.45			
60	46	245	Plastic (Colour: Red)	IB25-9-RT001	QRC-IB-25-DF-46-KI-RD
2.36	1.81	9.65			

**IB-VA**


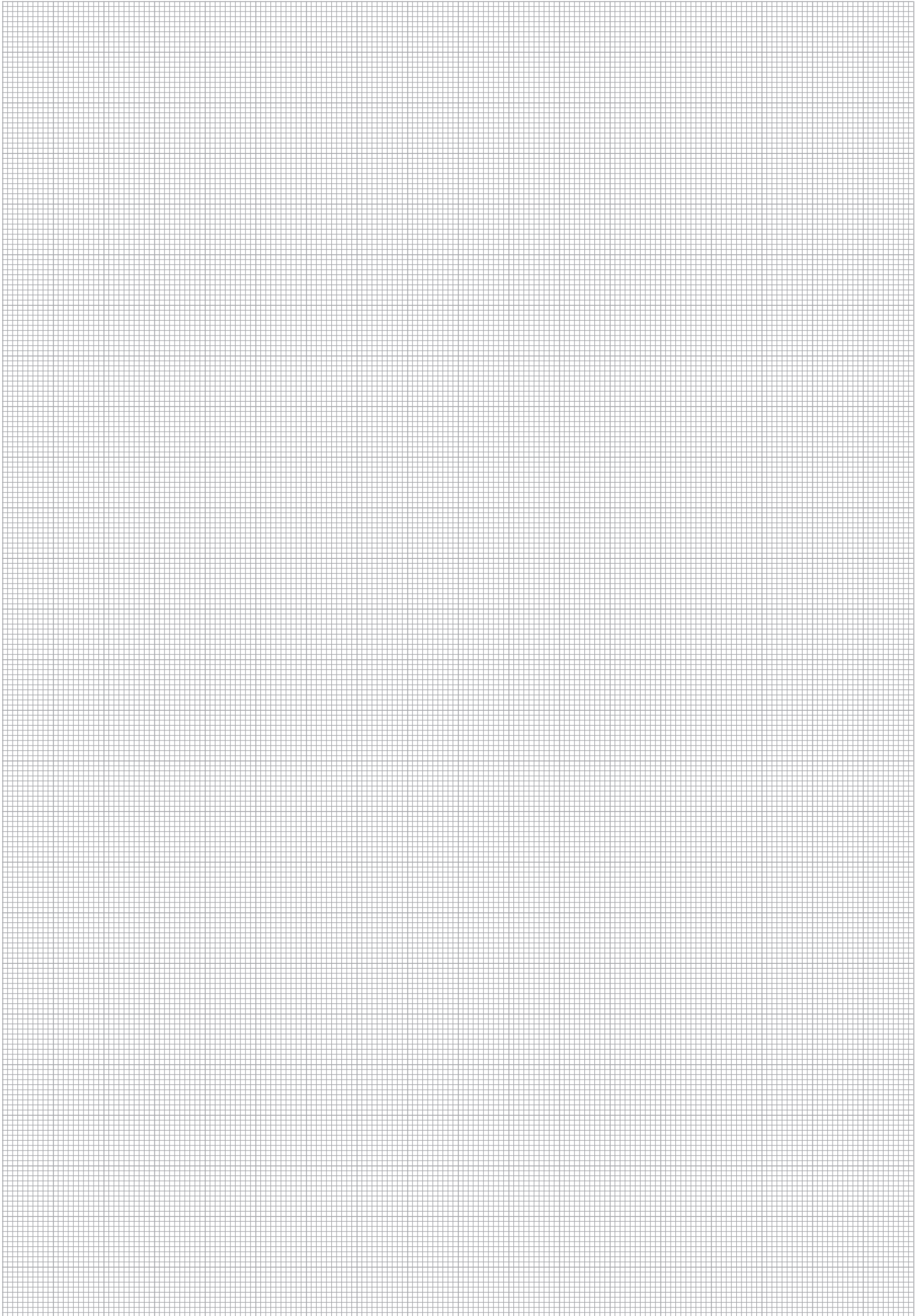
Dimensions (mm/in)			Material	Dust Cap for Male Tip	
D1	D2	L		VOSWINKEL Part Numbers	STAUFF Ordering Codes
22	28	245	Aluminium with chain	IB06-0-SI001	QRC-IB-06-DM-28/CN-W89I-SI
.87	1.10	9.65			
27	30	155	Aluminium with chain	IB10-0-SI001	QRC-IB-10-DM-30/CN-W89I-SI
1.06	1.18	6.10			
35	41	265	Aluminium with chain	IB12-0-SI001	QRC-IB-12-DM-41/CN-W89I-SI
1.38	1.61	10.43			
42	30	250	Aluminium with chain	IB19-0-SI001	QRC-IB-19-DM-30/CN-W89I-SI
1.65	1.18	9.84			
48	49	340	Aluminium with chain	IB25-0-SI001	QRC-IB-25-DM-49/CN-W89I-SI
1.89	1.93	13.39			
55	46	225	Aluminium with chain	IB38-0-SI001	QRC-IB-38-DM-46/CN-W89I-SI
2.17	1.81	8.86			
80	75	350	Aluminium with chain	IB51-0-SI001	QRC-IB-51-DM-75/CN-W89I-SI
3.15	2.95	13.78			

Dimensions (mm/in)			Material	Dust Plug for Female Body	
D1	D2	L		VOSWINKEL Part Numbers	STAUFF Ordering Codes
22	30	210	Aluminium with chain	IB06-9-SI001	QRC-IB-06-DF-30/CN-W89I-SI
.87	1.18	8.27			
22	30	155	Aluminium with chain	IB10-9-SI001	QRC-IB-10-DF-30/CN-W89I-SI
.87	1.18	6.10			
28	41	305	Aluminium with chain	IB12-9-SI001	QRC-IB-12-DF-41/CN-W89I-SI
1.10	1.61	12.01			
35	43	265	Aluminium with chain	IB19-9-SI001	QRC-IB-19-DF-43/CN-W89I-SI
1.38	1.69	10.43			
44	41	240	Aluminium with chain	IB25-9-SI001	QRC-IB-25-DF-41/CN-W89I-SI
1.73	1.61	9.45			
74	46	225	Aluminium with chain	IB38-9-SI001	QRC-IB-38-DF-46/CN-W89I-SI
2.91	1.81	8.86			
105	75	350	Aluminium with chain	IB51-9-SI001	QRC-IB-51-DF-75/CN-W89I-SI
4.13	2.95	13.78			

In addition to the standard colours as stated above, plastic dust caps are also available in blue, green, yellow and black. Please use the VOSWINKEL codes BL, GN, GE and SW respectively instead of RT. Please use the STAUFF codes BU, GN, YE and BK respectively instead of RD.



IB-VA





Series FF/FX/FH/FU ▪ Characteristics	108 - 110	Series FF 19 ▪ BG 6 ▪ Nominal Size 19	117
Series FH 06 ▪ BG 1 ▪ Nominal Size 6,3	111	Series FU 19 ▪ BG 6 ▪ Nominal Size 19 Connect under Pressure	118
Series FF 10 ▪ BG 2 ▪ Nominal Size 10	112	Series FH 25 ▪ BG 8 ▪ Nominal Size 25	119
Series FU 10 ▪ BG 2 ▪ Nominal Size 10 Connect under Pressure	113	Series FX 38 ▪ BG 12 ▪ Nominal Size 31,5	120
Series FF 12 ▪ BG 3 ▪ Nominal Size 12	114	Series FH 51 ▪ BG 14 ▪ Nominal Size 50	121
Series FU 12 ▪ BG 3 ▪ Nominal Size 12 Connect under Pressure	115	Series FF/FX/FH/FU ▪ Dust Protection	122
Series FH 16 ▪ BG 4 ▪ Nominal Size 16	116		

**FF/FU**


### Series FF/ FX/ FH/ FU ▪ Characteristics

**Description**

The FF series represents the consequential advancement of the long standing and proven flat seal couplings of the FH series. The use of better quality materials allows for even higher operating pressures than those pressures stated in the standard ISO 16028.

The construction of the flat valves ensures that coupling and decoupling only leads to minimum oil losses and/or air locks.

The major areas of use of these couplings are engines in environment critical areas and hydraulic tools. Their modular architecture ensures the availability of a large quantity of connections complying with international standards.

**Working Pressure**

250 ... 400 bar / 25 ... 40 MPa / 3625 ... 5800 PSI

The indicated pressure ratings only apply to the coupling itself and depend on the connection type.

**Working Temperature**

-25° C ... +100° C / -13° F ... +212° F

**Material**

Steel

**Surface Finishing**

Zinc-Nickel

**Standard Seal Material(s)**

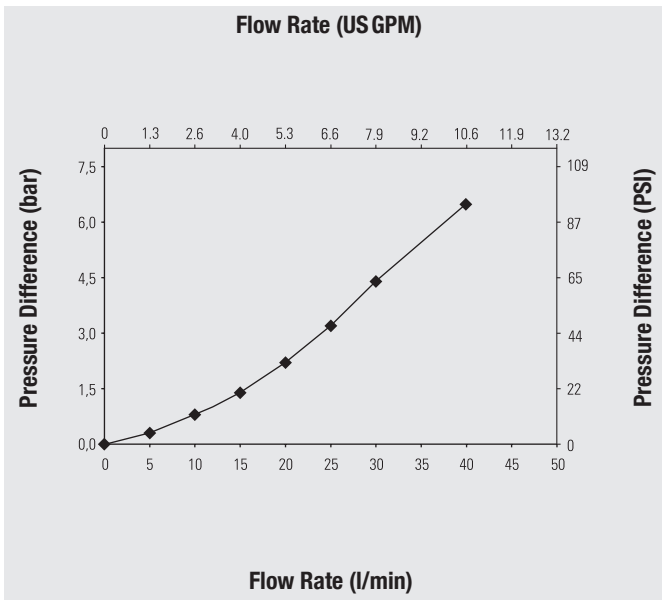
NBR (Buna-N®), PTFE, PU

Alternative seal materials are available on request.

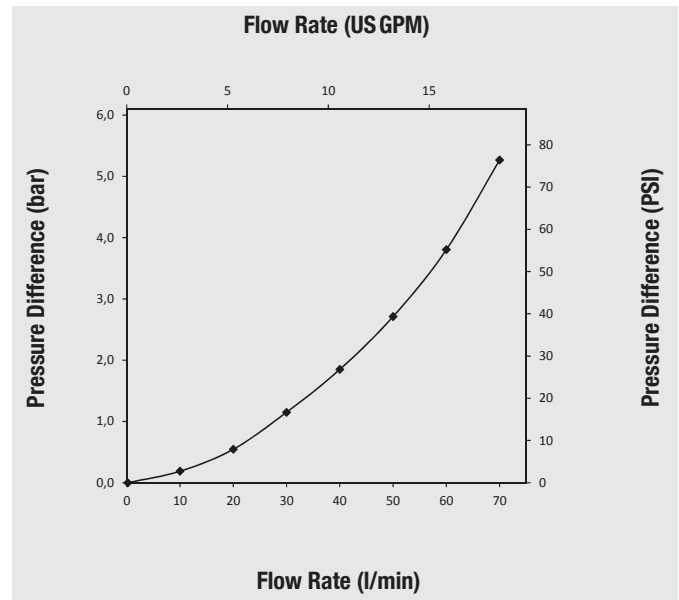


FF/FU

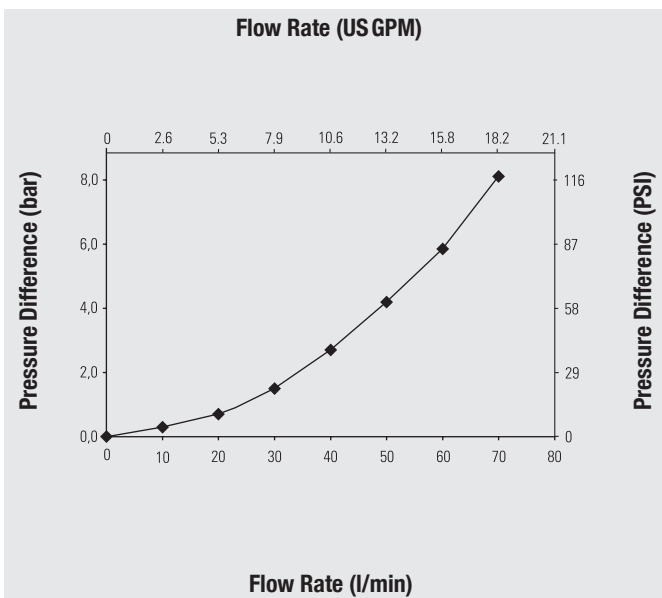
### Series FH 06 ▪ BG 1 ▪ Nominal Size 6,3



### Series FF 10 ▪ BG 2 ▪ Nominal Size 10



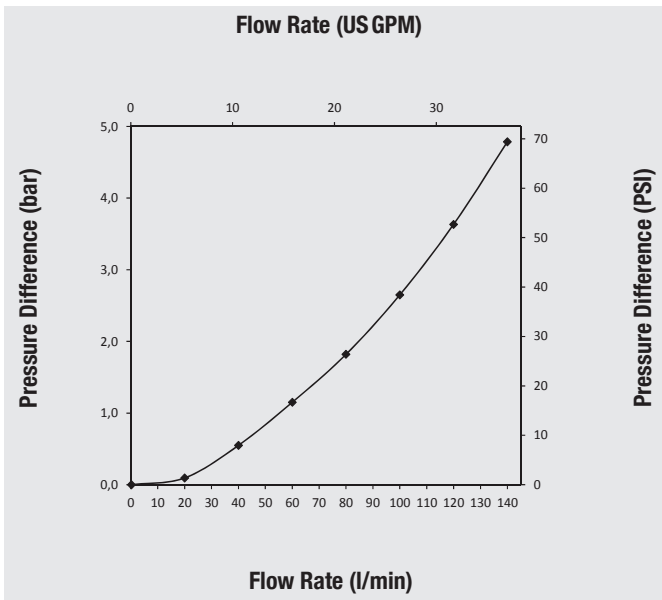
### Series FU 10 ▪ BG 2 ▪ Nominal Size 10



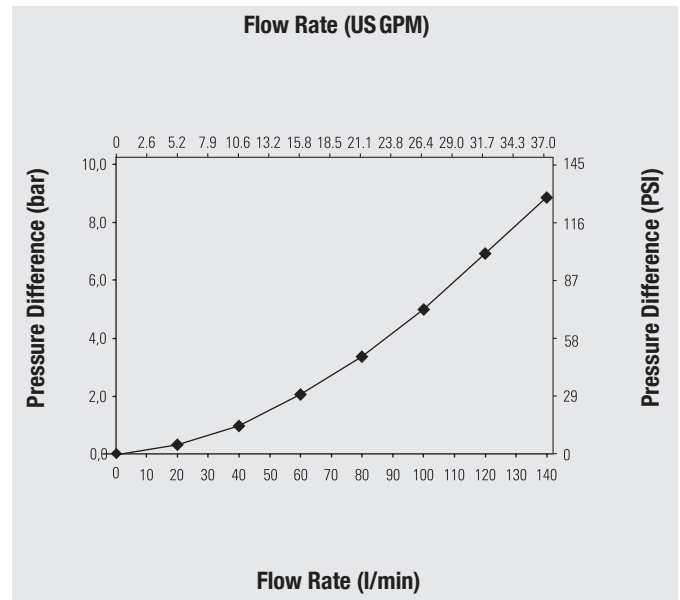
Please note: Unless otherwise stated, all flow characteristics have been determined with hydraulic oil with a kinematic viscosity of 36 mm<sup>2</sup>/s (36 cSt) and are only valid for components with non-reducing connections.



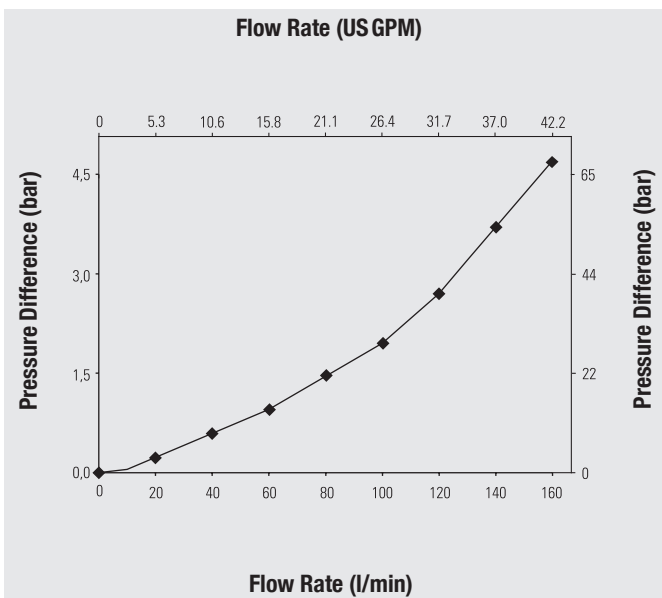
**Series FF 12 ▪ BG 3 ▪ Nominal Size 12**



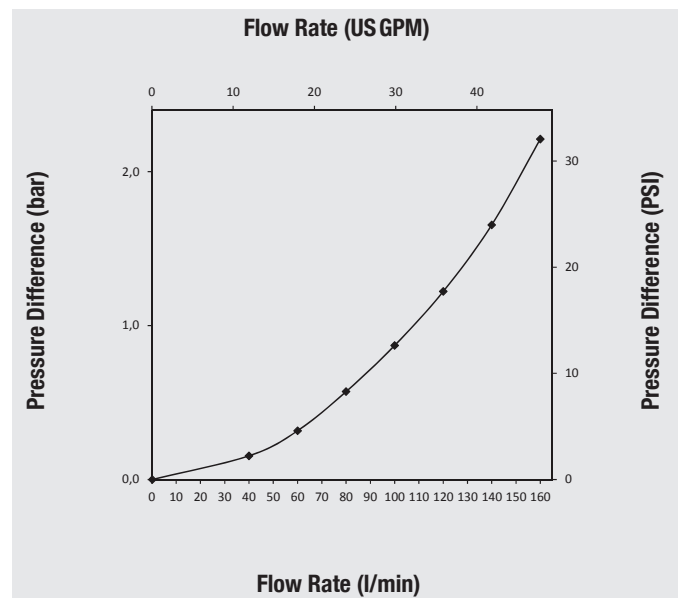
**Series FU 12 ▪ BG 3 ▪ Nominal Size 12**



**Series FH 16 ▪ BG 4 ▪ Nominal Size 16**



**Series FF 19 ▪ BG 6 ▪ Nominal Size 19**

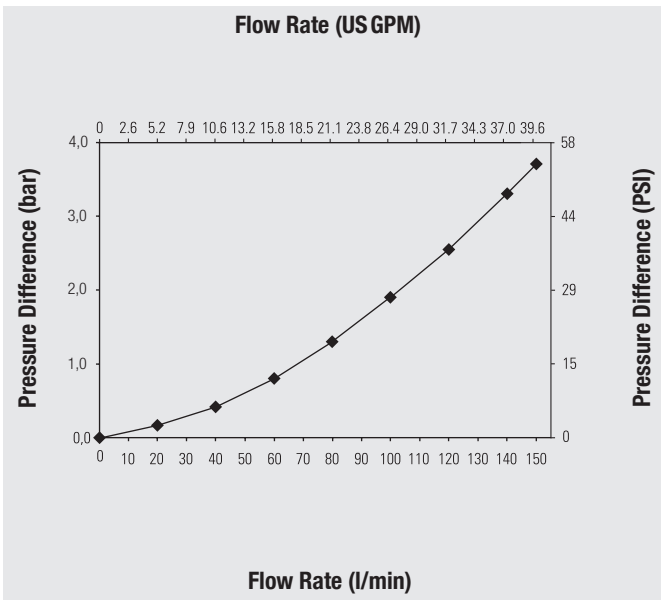




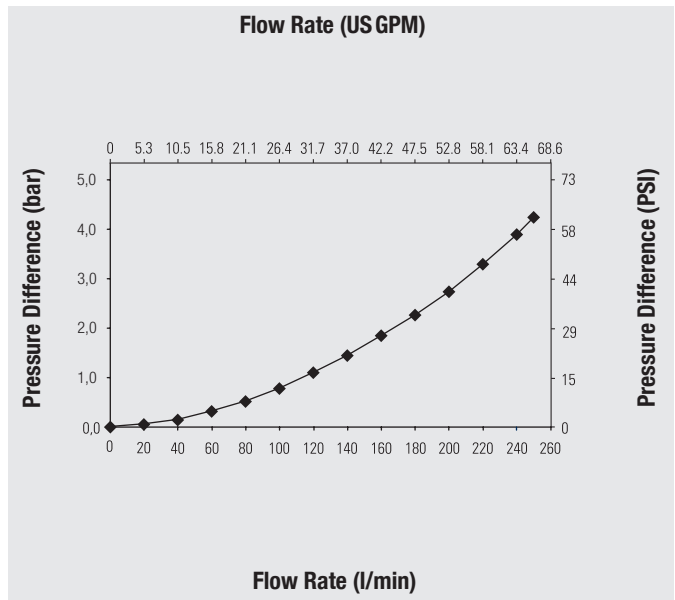
Series FF/ FX/ FH/ FU ▪ Characteristics

FF/FU

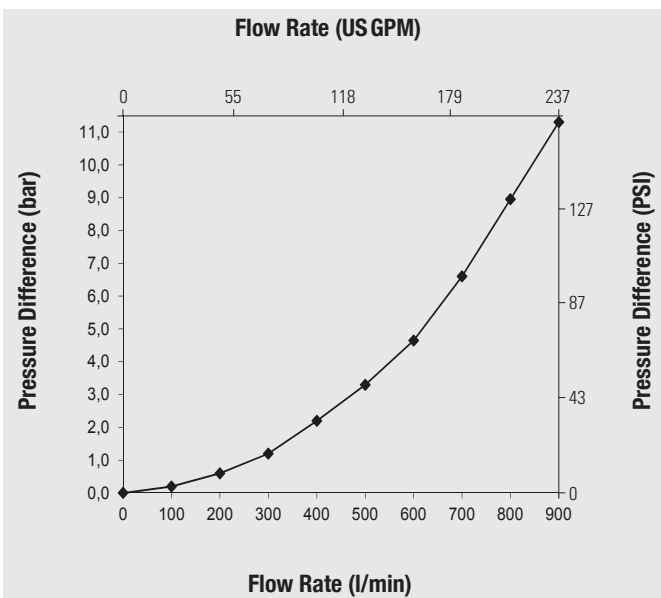
Series FU 19 ▪ BG 6 ▪ Nominal Size 19



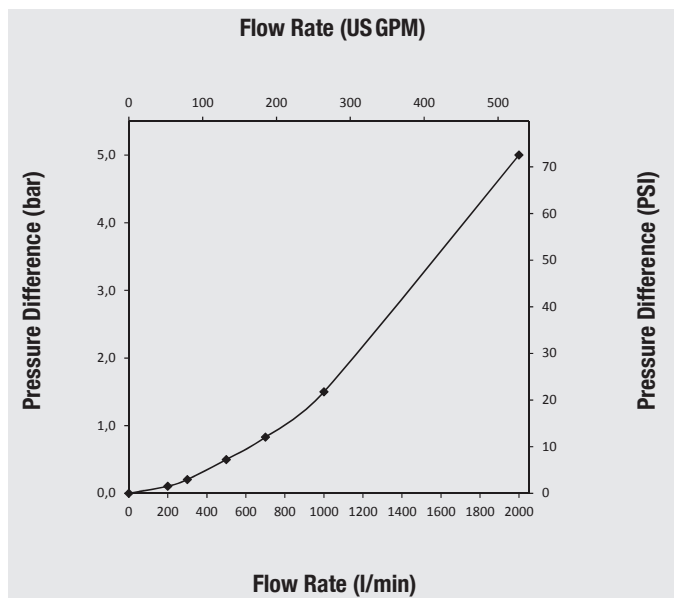
Series FH 25 ▪ BG 8 ▪ Nominal Size 25



Series FX 38 ▪ BG 12 ▪ Nominal Size 31,5



Series FH 51 ▪ BG 14 ▪ Nominal Size 50



**Series FH 06 • BG 1 • Nominal Size 6,3**
**Working Pressure**

400 bar / 40 MPa / 5800 PSI

**Burst Pressure**

1220 bar / 122 MPa / 17694 PSI (Female Body)

1500 bar / 150 MPa / 21755 PSI (Male Tip)

1700 bar / 170 MPa / 24656 PSI (Connected)

The indicated pressure ratings only apply to the coupling itself and depend on the connection type.

**Material**

Steel

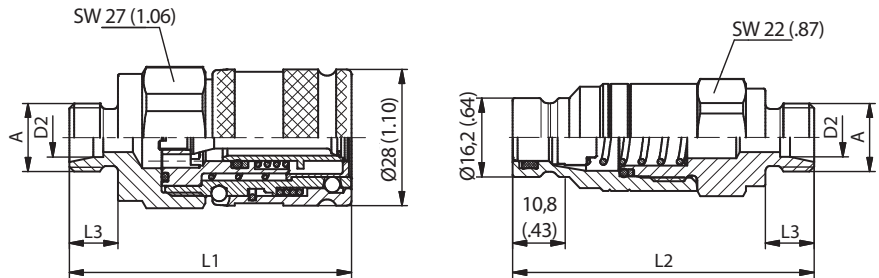
**Surface Finishing**

Zinc-Nickel

**Standard Seal Material(s)**

NBR (Buna-N®), PTFE, PU

Dimensions acc. to ISO 16028.



SW: Width across flats. All dimensions in mm (inch).

**FF/FU**

Port A	Dimensions (mm/in)					Female Body	Weight	Male Tip	Weight
	ØD2	L1	L2	L3	L4	VOSWINKEL Part Numbers STAUFF Ordering Codes	( <sup>g</sup> /oz) ca. per pc.	VOSWINKEL Part Numbers STAUFF Ordering Codes	( <sup>g</sup> /oz) ca. per pc.
<b>Female Thread according to DIN 3852 - ANSI B 1.20.3 - SAE J1926-1</b>									
	G 1/4"	54	54		12	FH06-1-IGF04 QRC-FH-06-F-G04-BT-W3	195 429.00	FH06-2-IGF04 QRC-FH-06-M-G04-S1-W3	102 224.40
	NPTF 1/4"-18	56	54			FH06-1-INF04 QRC-FH-06-F-NF04-BT-W3	203 446.60	FH06-2-INF04 QRC-FH-06-M-NF04-S1-W3	107 235.40
	UNF 9/16"-18	54	55		12,8	FH06-1-IUF06 QRC-FH-06-F-U06-BT-W3	193 424.60	FH06-2-IUF06 QRC-FH-06-M-U06-S1-W3	103 226.60
		2.13	2.17		.50				
<b>Male Thread with 24° Conical Bore - Shape W according to DIN 3861</b>									
	M14x1,5	8L	58	62	10	FH06-1-L0814 QRC-FH-06-F-08L-BT-W3	180 396.00	FH06-2-L0814 QRC-FH-06-M-08L-S1-W3	113 248.60
			2.28	2.44	.39				
	M16x1,5	10L	59	63	11	FH06-1-L1016 QRC-FH-06-F-10L-BT-W3	182 400.40	FH06-2-L1016 QRC-FH-06-M-10L-S1-W3	115 253.00
			2.32	2.48	.43				
M16x1,5	8S	60	64	12	FH06-1-S0816 QRC-FH-06-F-08S-BT-W3	187 411.40	FH06-2-S0816 QRC-FH-06-M-08S-S1-W3	120 264.00	
		2.36	2.52	.47					
M18x1,5	10S	60	64	12	FH06-1-S1018 QRC-FH-06-F-10S-BT-W3	189 415.80	FH06-2-S1018 QRC-FH-06-M-10S-S1-W3	121 266.20	
			2.36	2.52	.47				
<b>Male Thread with 24° Conical Bore - Bulkhead - Shape W according to DIN 3861</b>									
	M14x1,5	8L	73	77	25	FH06-1-N0814 QRC-FH-06-F-08LB-BT-W3	195 429.00	FH06-2-N0814 QRC-FH-06-M-08LB-S1-W3	128 281.60
			2.87	3.03	.98				
	M16x1,5	10L	74	78	26	FH06-1-N1016 QRC-FH-06-F-10LB-BT-W3	200 440.00	FH06-2-N1016 QRC-FH-06-M-10LB-S1-W3	134 294.80
			2.91	3.07	1.02				
M16x1,5	8S	75	79	27	FH06-1-T0816 QRC-FH-06-F-08SB-BT-W3	209 459.80	FH06-2-T0816 QRC-FH-06-M-08SB-S1-W3	141 310.20	
		2.95	3.11	1.06					
M18x1,5	10S	75	79	27	FH06-1-T1018 QRC-FH-06-F-10SB-BT-W3	214 470.80	FH06-2-T1018 QRC-FH-06-M-10SB-S1-W3	147 323.40	
		2.95	3.11	1.06					



### Series FF 10 • BG 2 • Nominal Size 10

**Working Pressure**

350 bar / 35 MPa / 5076 PSI

**Burst Pressure**

1100 bar / 110 MPa / 15954 PSI (Female Body)  
 1500 bar / 150 MPa / 21755 PSI (Male Tip)  
 1100 bar / 110 MPa / 15954 PSI (Connected)

The indicated pressure ratings only apply to the coupling itself and depend on the connection type.

**Material**

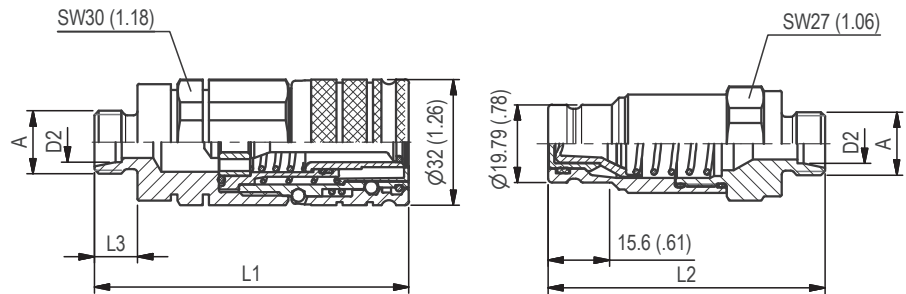
Steel

**Surface Finishing**

Zinc-Nickel

**Standard Seal Material(s)**

NBR (Buna-N®), PTFE, PU



Dimensions acc. to ISO 16028.

SW: Width across flats. All dimensions in mm (inch).

Port A	Dimensions (mm/in)					Female Body	Weight	Male Tip	Weight
	ØD2	L1	L2	L3	L4	VOSWINKEL Part Numbers STAUFF Ordering Codes	( <sup>g</sup> /oz) ca. per pc.	VOSWINKEL Part Numbers STAUFF Ordering Codes	( <sup>g</sup> /oz) ca. per pc.
<b>Female Thread according to DIN 3852-2 - ISO 6149-1 - ANSI B 1.20.3-SAE J1926-1</b>									
	BSP 3/8"	69	64,9		14,2	FF10-1-IGF06 QRC-FF-10-F-G06-BT-W3	285 627.00	FF10-2-IGF06 QRC-FF-10-M-G06-BP-W3	127 279.40
	BSP 1/2"	74	64,9		14,2	FF10-1-IGF08 QRC-FF-10-F-G08-BT-W3	270 594.00	FF10-2-IGF08 QRC-FF-10-M-G08-BP-W3	121 266.20
	NPTF 3/8"-18	69	64,9			FF10-1-INF06 QRC-FF-10-F-NF06-BT-W3	287 631.40	FF10-2-INF06 QRC-FF-10-M-NF06-BP-W3	129 283.80
	NPTF 1/2"-14	74	62,9			FF10-1-INF08 QRC-FF-10-F-NF08-BT-W3	280 616.00	FF10-2-INF08 QRC-FF-10-M-NF08-BP-W3	137 300.96
	UNF 3/4"-16	74	62,9		14,3	FF10-1-IUF08 QRC-FF-10-F-U08-BT-W3	275 605.00	FF10-2-IUF08 QRC-FF-10-M-U08-BP-W3	138 303.60
		2,91	2,48		.56				
<b>Male Thread with 24° Conical Bore - Shape W according to DIN 3861</b>									
	M16x1,5	10L	80	70,4	11	FF10-1-L1016 QRC-FF-10-F-10L-BT-W3	300 660.00	FF10-2-L1016 QRC-FF-10-M-10L-BP-W3	147 323.40
	M18x1,5	12L	80	70,4	11	FF10-1-L1218 QRC-FF-10-F-12L-BT-W3	300 660.00	FF10-2-L1218 QRC-FF-10-M-12L-BP-W3	147 323.40
	M22x1,5	15L	81	71,4	12	FF10-1-L1522 QRC-FF-10-F-15L-BT-W3	307 675.40	FF10-2-L1522 QRC-FF-10-M-15L-BP-W3	152 334.40
	M20x1,5	12S	81	71,4	12	FF10-1-S1220 QRC-FF-10-F-12S-BT-W3	309 679.80	FF10-2-S1220 QRC-FF-10-M-12S-BP-W3	154 339.68
	M24x1,5	16S	83	73,4	14	FF10-1-S1624 QRC-FF-10-F-16S-BT-W3	316,0 695.20	FF10-2-S1624 QRC-FF-10-M-16S-BP-W3	159 350.68
		3,27	2,89	.55					
<b>Male Thread with 24° Conical Bore - Bulkhead - Shape W according to DIN 3861</b>									
	M16x1,5	10L	87	85,4	26	FF10-1-N1016 QRC-FF-10-F-10LB-BT-W3	286 629.20	FF10-2-N1016 QRC-FF-10-M-10LB-BP-W3	165 363.00
	M18x1,5	12L	87	85,4	26	FF10-1-N1218 QRC-FF-10-F-12LB-BT-W3	289 635.80	FF10-2-N1218 QRC-FF-10-M-12LB-BP-W3	168 369.60
		3,43	3,36	1,02					
	M22x1,5	15L	88	86,4	27	FF10-1-N1522 QRC-FF-10-F-15LB-BT-W3	306 673.20	FF10-2-N1522 QRC-FF-10-M-15LB-BP-W3	184 404.80
		3,46	3,40	1,06					
	M20x1,5	12S	88	86,4	27	FF10-1-T1220 QRC-FF-10-F-12SB-BT-W3	308 678.48	FF10-2-T1220 QRC-FF-10-M-12SB-BP-W3	186 408.10
3,46		3,40	1,06						
M24x1,5	16S	89,6	88,4	29	FF10-1-T1624 QRC-FF-10-F-16SB-BT-W3	324 712.80	FF10-2-T1624 QRC-FF-10-M-16SB-BP-W3	199 438.46	
3,53	3,48	1,14							



**Series FU 10 ▪ BG 2 ▪ Nominal Size 10 ▪ Connect under Pressure**
**Working Pressure**

350 bar / 35 MPa / 5076 PSI

**Burst Pressure**

 1500 bar / 150 MPa / 21755 PSI (Male Tip)  
 1700 bar / 170 MPa / 24656 PSI (Connected)

The indicated pressure ratings only apply to the coupling itself and depend on the connection type.

**Material**

Steel

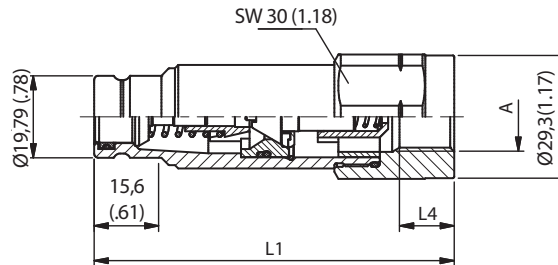
**Surface Finishing**

Zinc-Nickel

**Standard Seal Material(s)**

NBR (Buna-N®), PTFE

Dimensions acc. to ISO 16028.


**FF/FU**

SW: Width across flats. All dimensions in mm (inch).

Port A	Dimensions (mm/in)					Weight ( <sup>g</sup> /oz) ca. per pc.	Male Tip VOSWINKEL Part Numbers STAUFF Ordering Codes	Weight ( <sup>g</sup> /oz) ca. per pc.
	ØD2	L1	L2	L3	L4			
<b>Female Thread according to DIN 3852-2</b>								
	G 3/8"		87 3.43			12 .47	FU10-2-IGF06 QRC-FU-10-M-G06-BT-W3	241 530.20
	G 1/2"		90 3.54			14 .55	FU10-2-IGF08 QRC-FU-10-M-G08-BT-W3	246 541.20



### Series FF 12 • BG 3 • Nominal Size 12

**Working Pressure**

350 bar / 35 MPa / 5076 PSI

**Burst Pressure**

1250 bar / 125 MPa / 18130 PSI (Female Body)

1500 bar / 150 MPa / 21755 PSI (Male Tip)

1250 bar / 125 MPa / 18130 PSI (Connected)

The indicated pressure ratings only apply to the coupling itself and depend on the connection type.

**Material**

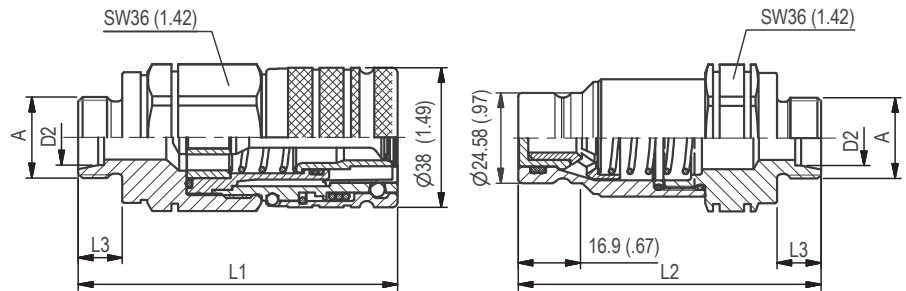
Steel

**Surface Finishing**

Zinc-Nickel

**Standard Seal Material(s)**

NBR (Buna-N®), PTFE, PU



Dimensions acc. to ISO 16028.

SW: Width across flats. All dimensions in mm (inch).

Port A	Dimensions (mm/in)				Female Body	Weight	Male Tip	Weight	
	ØD2	L1	L2	L3	VOSWINKEL Part Numbers STAUFF Ordering Codes	(g/oz) ca. per pc.	VOSWINKEL Part Numbers STAUFF Ordering Codes	(g/oz) ca. per pc.	
<b>Female Thread according to DIN 3852-2 - ISO 6149-1 - ANSI B 1.20.3-SAE J1926-1</b>									
	BSP 1/2"	84 3.31	71 2.80	14 .55	FF12-1-IGF08 QRC-FF-12-F-G08-BT-W3	500 1100.00	FF12-2-IGF08 QRC-FF-12-M-G08-BP-W3	255 10.04	
	BSP 3/4"	84 3.31	72 2.84	18 .71	FF12-1-IGF12 QRC-FF-12-F-G12-BT-W3	466 1025.20	FF12-2-IGF12 QRC-FF-12-M-G12-BP-W3	235 9.25	
	NPTF 1/2"-14	84 3.31	71 2.80		FF12-1-INF08 QRC-FF-12-F-NF08-BT-W3	507 1115.40	FF12-2-INF08 QRC-FF-12-M-NF08-BP-W3	260 10.24	
	NPTF 3/4"-14	84 3.31	72 2.84		FF12-1-INF12 QRC-FF-12-F-NF12-BT-W3	477 1049.40	FF12-2-INF12 QRC-FF-12-M-NF12-BP-W3	241 9.49	
	UNF 3/4"-16	84 3.31	72 2.83	14,3 .56	FF12-1-IUF08 QRC-FF-12-F-U08-BT-W3	509,0 1119.80	FF12-2-IUF08 QRC-FF-12-M-U08-BP-W3	263 578.60	
	UNF 7/8"-14	84 3.31	72 2.84	16,7 .66	FF12-1-IUF10 QRC-FF-12-F-U10-BT-W3	490 1078.00	FF12-2-IUF10 QRC-FF-12-M-U10-BP-W3	253 9.96	
	UNF 1" 1/16-12	84 3.31	76 2.99	19 .75	FF12-1-IUF12 QRC-FF-12-F-U12-BT-W3	456 1003.20	FF12-2-IUF12 QRC-FF-12-M-U12-BP-W3	245 9.65	
	<b>Male Thread with 24° Conical Bore - Shape W according to DIN 3861</b>								
	M18x1,5	12L 3.39	86 3.21	11 .43	FF12-1-L1218 QRC-FF-12-F-12L-BT-W3	481 1058.20	FF12-2-L1218 QRC-FF-12-M-12L-BP-W3	277 609.40	
	M22x1,5	15L 3.43	87 3.25	12 .47	FF12-1-L1522 QRC-FF-12-F-15L-BT-W3	486 1069.20	FF12-2-L1522 QRC-FF-12-M-15L-BP-W3	284 624.80	
	M26x1,5	18L 3.43	87 3.25	12 .47	FF12-1-L1826 QRC-FF-12-F-18L-BT-W3	476 1047.20	FF12-2-L1826 QRC-FF-12-M-18L-BP-W3	287 631.40	
	M30x2	22L 3.50	89 3.45	14 .55	FF12-1-L2230 QRC-FF-12-F-22L-BT-W3	482 1060.40	FF12-2-L2230 QRC-FF-12-M-22L-BP-W3	291 640.20	
	M24x1,5	16S 3.50	89 3.33	14 .55	FF12-1-S1624 QRC-FF-12-F-16S-BT-W3	495 1089.00	FF12-2-S1624 QRC-FF-12-M-16S-BP-W3	293 644.60	
	M30x2	20S 3.58	91 3.41	16 .63	FF12-1-S2030 QRC-FF-12-F-20S-BT-W3	505 1111.00	FF12-2-S2030 QRC-FF-12-M-20S-BP-W3	307 675.40	
	<b>Male Thread with 24° Conical Bore - Bulkhead - Shape W according to DIN 3861</b>								
		M18x1,5	12L 3.58	91 3.70	26 1.02	FF12-1-N1218 QRC-FF-12-F-12LB-BT-W3	424 932.80	FF12-2-N1218 QRC-FF-12-M-12LB-BP-W3	280 616.00
M22x1,5		15L 3.62	92 3.74	27 1.06	FF12-1-N1522 QRC-FF-12-F-15LB-BT-W3	442 972.40	FF12-2-N1522 QRC-FF-12-M-15LB-BP-W3	298 655.60	
M26x1,5		18L 3.62	92 3.74	27 1.06	FF12-1-N1826 QRC-FF-12-F-18LB-BT-W3	457 1005.40	FF12-2-N1826 QRC-FF-12-M-18LB-BP-W3	313 688.60	
M30x2		22L 3.90	99 4.02	34 1.34	FF12-1-N2230 QRC-FF-12-F-22LB-BT-W3	487 1071.40	FF12-2-N2230 QRC-FF-12-M-22LB-BP-W3	344 756.80	
M24x1,5		16S 3.70	94 3.82	29 1.14	FF12-1-T1624 QRC-FF-12-F-16SB-BT-W3	455 1001.00	FF12-2-T1624 QRC-FF-12-M-16SB-BP-W3	316 695.20	
M30x2		20S 4.01	101 4.04	36 1.42	FF12-1-T2030 QRC-FF-12-F-20SB-BT-W3	515,0 1133.00	FF12-2-T2030 QRC-FF-12-M-20SB-BP-W3	372 818.40	



**Series FU 12 ▪ BG 3 ▪ Nominal Size 12 ▪ Connect under Pressure**
**Working Pressure**

350 bar / 35 MPa / 5076 PSI

**Burst Pressure**

 1400 bar / 140 MPa / 20305 PSI (Male Tip)  
 1500 bar / 150 MPa / 21756 PSI (Connected)

The indicated pressure ratings only apply to the coupling itself and depend on the connection type.

**Material**

Steel

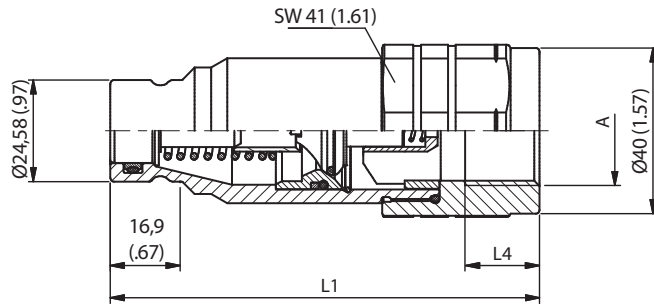
**Surface Finishing**

Zinc-Nickel

**Standard Seal Material(s)**

NBR (Buna-N®), PTFE

Dimensions acc. to ISO 16028.


**FF/FU**

SW: Width across flats. All dimensions in mm (inch).

Port A	Dimensions (mm/in)					Weight ( <sup>g</sup> /oz) ca. per pc.	Male Tip VOSWINKEL Part Numbers STAUFF Ordering Codes	Weight ( <sup>g</sup> /oz) ca. per pc.
	ØD2	L1	L2	L3	L4			
<b>Female Thread according to DIN 3852-2</b>								
	G 1/2"	98			14		FU12-2-IGF08	492
		3.86			.55		QRC-FU-12-M-G08-BT-W3	1082.40
	G 3/4"	104			16		FU12-2-IGF12	511
		4.09			.63		QRC-FU-12-M-G12-BT-W3	1124.20





### Series FH 16 • BG 4 • Nominal Size 16

**Working Pressure**

350 bar / 35 MPa / 5076 PSI

**Burst Pressure**

1100 bar / 110 MPa / 15954 PSI (Female Body)  
 1100 bar / 110 MPa / 15954 PSI (Male Tip)  
 1200 bar / 120 MPa / 17405 PSI (Connected)

The indicated pressure ratings only apply to the coupling itself and depend on the connection type.

**Material**

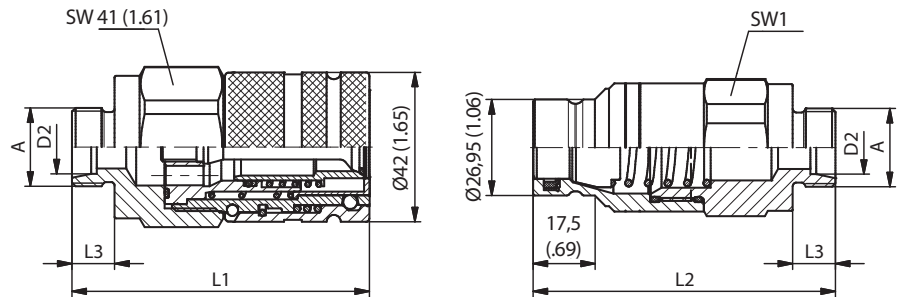
Steel

**Surface Finishing**

Zinc-Nickel

**Standard Seal Material(s)**

NBR (Buna-N®), PTFE, PU

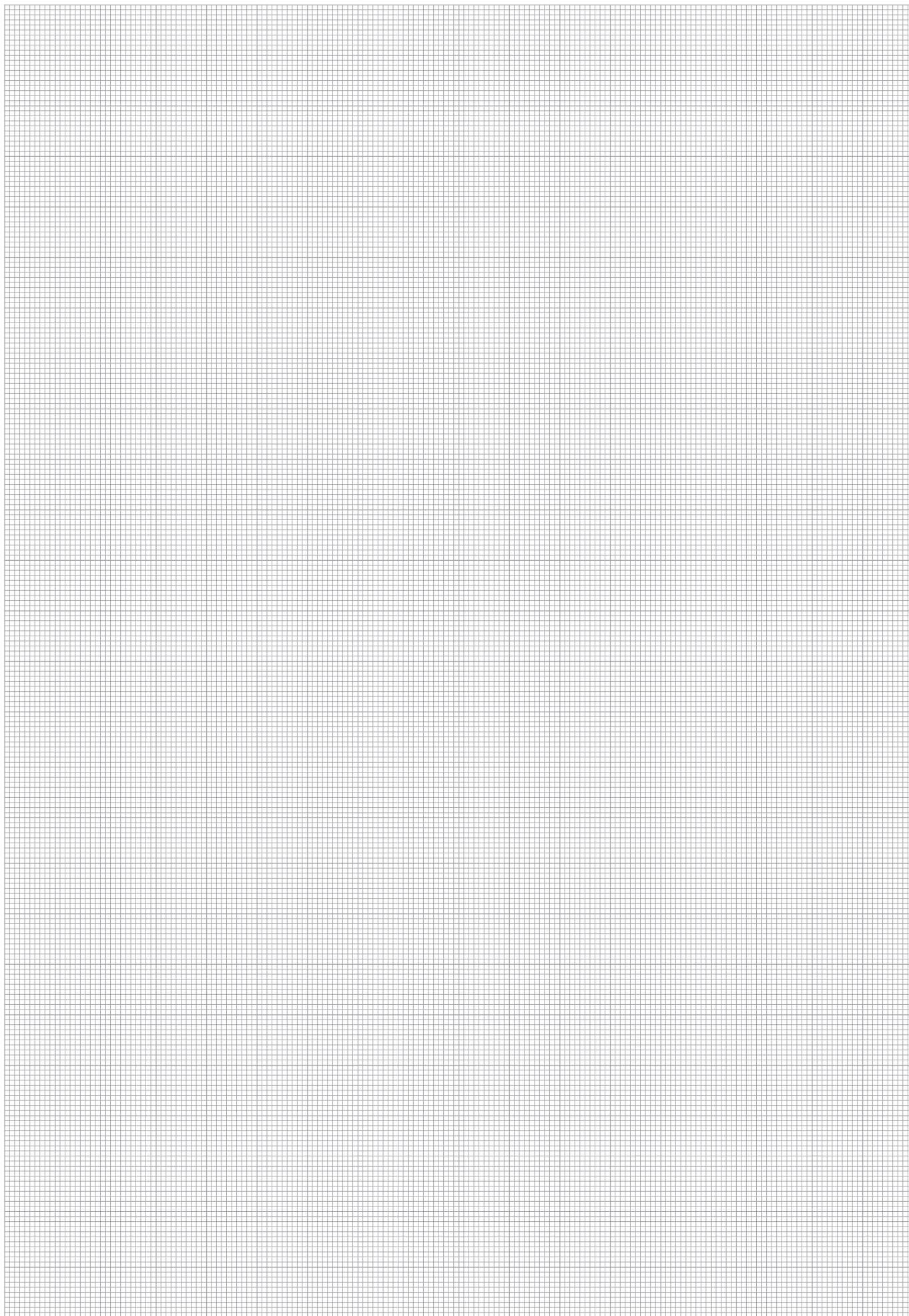


Dimensions acc. to ISO 16028.

SW: Width across flats. All dimensions in mm (inch).

	Port A	Dimensions (mm/in)						Female Body		Weight (g/oz) ca. per pc.	Male Tip		Weight (g/oz) ca. per pc.
		ØD2	L1	L2	L3	L4	SW1	VOSWINKEL Part Numbers			VOSWINKEL Part Numbers		
								STAUFF Ordering Codes			STAUFF Ordering Codes		
<b>Female Thread according to DIN 3852-2 - ANSI B 1.20.3 - SAE J1926-1</b>													
	G 3/4"	84	73		16	36	FH16-1-IGF12	646	FH16-2-IGF12	315			
		3.29	2.87		.63	1.42	QRC-FH-16-F-G12-BT-W3	1421.20	QRC-FH-16-M-G12-BP-W3	693.00			
	G 1"	86	77.5		18	41	FH16-1-IGF16	612	FH16-2-IGF16	364			
		3.39	3.05		.71	1.61	QRC-FH-16-F-G16-BT-W3	1346.40	QRC-FH-16-M-G16-BP-W3	800.80			
	NPTF 3/4"-14	84	73			36	FH16-1-INF12	651	FH16-2-INF12	323			
	3.29	2.87			1.42	QRC-FH-16-F-NF12-BT-W3	1432.20	QRC-FH-16-M-NF12-BP-W3	710.60				
	UN 1" 1/16-12	84	73		19	36	FH16-1-IUF12	633	FH16-2-IUF12	317			
		3.29	2.87		.75	1.42	QRC-FH-16-F-U12-BT-W3	1392.35	QRC-FH-16-M-U12-BP-W3	697.40			
<b>Male Thread with 24° Conical Bore - Shape W according to DIN 3861</b>													
	M22x1,5	15L	84	85	12		36	FH16-1-L1522	588	FH16-2-L1522	375		
			3.31	3.35	.47		1.42	QRC-FH-16-F-15L-BT-W3	1293.60	QRC-FH-16-M-15L-BP-W3	825.00		
	M26x1,5	18L	84	85	12		36	FH16-1-L1826	592	FH16-2-L1826	379		
			3.31	3.35	.47		1.42	QRC-FH-16-F-18L-BT-W3	1302.40	QRC-FH-16-M-18L-BP-W3	833.80		
	M30x2	22L	86	87	14		36	FH16-1-L2230	597	FH16-2-L2230	384		
			3.39	3.43	.55		1.42	QRC-FH-16-F-22L-BT-W3	1313.40	QRC-FH-16-M-22L-BP-W3	844.80		
	M24x1,5	16S	86	87	14		36	FH16-1-S1624	597	FH16-2-S1624	385		
		3.39	3.43	.55		1.42	QRC-FH-16-F-16S-BT-W3	1313.40	QRC-FH-16-M-16S-BP-W3	847.00			
	M30x2	20S	88	89	16		36	FH16-1-S2030	613	FH16-2-S2030	400		
			3.46	3.50	.63		1.42	QRC-FH-16-F-20S-BT-W3	1348.60	QRC-FH-16-M-20S-BP-W3	880.00		
	M36x2	25S	90	91	18		41	FH16-1-S2536	635	FH16-2-S2536	483		
			3.54	3.58	.71		1.61	QRC-FH-16-F-25S-BT-W3	1397.00	QRC-FH-16-M-25S-BP-W3	1062.60		
<b>Male Thread with 24° Conical Bore - Bulkhead - Shape W according to DIN 3861</b>													
	M22x1,5	15L	99	100	27		36	FH16-1-N1522	620	FH16-2-N1522	404		
			3.90	3.94	1.06		1.42	QRC-FH-16-F-15LB-BT-W3	1364.00	QRC-FH-16-M-15LB-BP-W3	888.80		
	M26x1,5	18L	99	100	27		36	FH16-1-N1826	634	FH16-2-N1826	418		
			3.90	3.94	1.06		1.42	QRC-FH-16-F-18LB-BT-W3	1394.80	QRC-FH-16-M-18LB-BP-W3	919.60		
	M30x2	22L	106	107	34		36	FH16-1-N2230	664	FH16-2-N2230	448		
			4.17	4.21	1.34		1.42	QRC-FH-16-F-22LB-BT-W3	1460.80	QRC-FH-16-M-22LB-BP-W3	985.60		
	M24x1,5	16S	101	102	29		36	FH16-1-T1624	638	FH16-2-T1624	422		
		3.98	4.02	1.14		1.42	QRC-FH-16-F-16SB-BT-W3	1403.60	QRC-FH-16-M-16SB-BP-W3	928.40			
	M30x2	20S	108	109	36		36	FH16-1-T2030	694	FH16-2-T2030	477		
			4.25	4.29	1.42		1.42	QRC-FH-16-F-20SB-BT-W3	1526.80	QRC-FH-16-M-20SB-BP-W3	1049.40		
	M36x2	25S	110	111	38		41	FH16-1-T2536	746	FH16-2-T2536	591		
			4.33	4.37	1.50		1.61	QRC-FH-16-F-25SB-BT-W3	1641.20	QRC-FH-16-M-25SB-BP-W3	1300.20		





FF/FU



### Series FF 19 ▪ BG 6 ▪ Nominal Size 19

**Working Pressure**

350 bar / 35 MPa / 5076 PSI

**Burst Pressure**

1200 bar / 120 MPa / 17405 PSI (Female Body)  
 1300 bar / 130 MPa / 18855 PSI (Male Tip)  
 1200 bar / 120 MPa / 17405 PSI (Connected)

The indicated pressure ratings only apply to the coupling itself and depend on the connection type.

**Material**

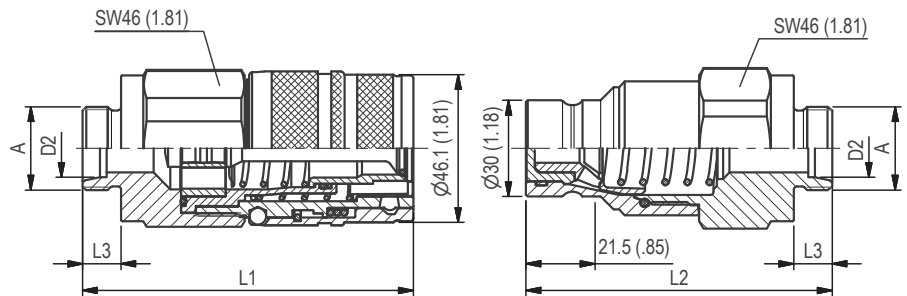
Steel

**Surface Finishing**

Zinc-Nickel

**Standard Seal Material(s)**

NBR (Buna-N®), PTFE, PU



Dimensions acc. to ISO 16028.

SW: Width across flats. All dimensions in mm (inch).

Port A	Dimensions ( <sup>mm/in</sup> )					Female Body	Weight	Male Tip	Weight
	ØD2	L1	L2	L3	L4	VOSWINKEL Part Numbers STAUFF Ordering Codes	( <sup>g/oz</sup> ) ca. per pc.	VOSWINKEL Part Numbers STAUFF Ordering Codes	( <sup>g/oz</sup> ) ca. per pc.
<b>Female Thread according to DIN 3852-2 - ISO 6149-1 - ANSI B 1.20.3-SAE J1926-1</b>									
	BSP 3/4"	99	84		16	FF19-1-IGF12	929	FF19-2-IGF12	531
		3.89	3.31		.63	QRC-FF-19-F-G12-BT-W3	2042.70	QRC-FF-19-M-G12-BP-W3	20.91
	BSP 1"	99	84		18	FF19-1-IGF16	875	FF19-2-IGF16	474
		3.89	3.31		.71	QRC-FF-19-F-G16-BT-W3	1923.90	QRC-FF-19-M-G16-BP-W3	18.66
	NPTF 3/4"-14	99	84			FF19-1-INF12	944	FF19-2-INF12	544
		3.90	3.31			QRC-FF-19-F-NF12-BT-W3	2076.80	QRC-FF-19-M-NF12-BP-W3	21.42
	NPTF 1"-11 1/2	99	84			FF19-1-INF16	905	FF19-2-INF16	505
		3.90	3.31			QRC-FF-19-F-NF16-BT-W3	1991.00	QRC-FF-19-M-NF16-BP-W3	19.88
UNF 1" 1/16-12	99	84		19	FF19-1-IUF12	931	FF19-2-IUF12	530	
	3.90	3.31		.75	QRC-FF-19-F-U12-BT-W3	2048.20	QRC-FF-19-M-U12-BP-W3	20.87	
UNF 1" 5/16-12	99	84		19	FF19-1-IUF16	893	FF19-2-IUF16	479	
	3.90	3.31		.75	QRC-FF-19-F-U16-BT-W3	1964.60	QRC-FF-19-M-U16-BP-W3	18.86	
<b>Male Thread with 24° Conical Bore - Shape W according to DIN 3861</b>									
	M26x1,5	18L	103	96	12	FF19-1-L1826	911	FF19-2-L1826	607
		4.06	3.76	.47		QRC-FF-19-F-18L-BT-W3	2004.64	QRC-FF-19-M-18L-BP-W3	1335.40
	M30x2	22L	105	98	14	FF19-1-L2230	911	FF19-2-L2230	598
		4.14	3.84	.55		QRC-FF-19-F-22L-BT-W3	2003.54	QRC-FF-19-M-22L-BP-W3	1316.48
	M36x2	28L	105	98	14	FF19-1-L2836	903	FF19-2-L2836	581
		4.14	3.84	.55		QRC-FF-19-F-28L-BT-W3	1986.60	QRC-FF-19-M-28L-BP-W3	1278.20
	M30x2	20S	107	100	16	FF19-1-S2030	931	FF19-2-S2030	625
		4.22	3.92	.63		QRC-FF-19-F-20S-BT-W3	2047.54	QRC-FF-19-M-20S-BP-W3	1374.34
	M36x2	25S	109	102	18	FF19-1-S2536	947	FF19-2-S2536	632
		4.30	4.00	.71		QRC-FF-19-F-25S-BT-W3	2083.62	QRC-FF-19-M-25S-BP-W3	1391.28
	M42x2	30S	111	104	20	FF19-1-S3042	961	FF19-2-S3042	637
		4.38	4.07	.79		QRC-FF-19-F-30S-BT-W3	2113.10	QRC-FF-19-M-30S-BP-W3	1401.84
<b>Male Thread with 24° Conical Bore - Bulkhead - Shape W according to DIN 3861</b>									
	M26x1,5	18L	125	118	34	FF19-1-N1826	972	FF19-2-N1826	668
		4.93	4.63	1.34		QRC-FF-19-F-18LB-BT-W3	2139.28	QRC-FF-19-M-18LB-BP-W3	1469.60
	M30x2	22L	125	118	34	FF19-1-N2230	977	FF19-2-N2230	665
		4.93	4.63	1.34		QRC-FF-19-F-22LB-BT-W3	2149.40	QRC-FF-19-M-22LB-BP-W3	1463.00
	M36x2	28L	125	118	34	FF19-1-N2836	992	FF19-2-N2836	670
		4.93	4.63	1.34		QRC-FF-19-F-28LB-BT-W3	2181.74	QRC-FF-19-M-28LB-BP-W3	1474.00
	M30x2	20S	129	120	36	FF19-1-T2030	1018	FF19-2-T2030	704
		5.09	4.70	1.42		QRC-FF-19-F-20SB-BT-W3	2239.60	QRC-FF-19-M-20SB-BP-W3	1548.80
	M36x2	25S	129	124	38	FF19-1-T2536	1057,6	FF19-2-T2536	743
		5.09	4.86	1.50		QRC-FF-19-F-25SB-BT-W3	2326.72	QRC-FF-19-M-25SB-BP-W3	1634.60
	M42x2	30S	131	124	38	FF19-1-T3042	1101	FF19-2-T3042	778
		5.17	4.86	1.50		QRC-FF-19-F-30SB-BT-W3	2422.20	QRC-FF-19-M-30SB-BP-W3	1711.60



**Series FU 19 ▪ BG 6 ▪ Nominal Size 19 ▪ Connect under Pressure**
**Working Pressure**

350 bar / 35 MPa / 5076 PSI

**Burst Pressure**

 1600 bar / 160 MPa / 23206 PSI (Male Tip)  
 1600 bar / 160 MPa / 23206 PSI (Connected)

The indicated pressure ratings only apply to the coupling itself and depend on the connection type.

**Material**

Steel

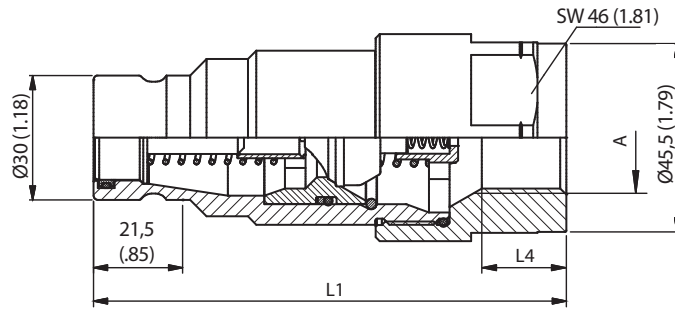
**Surface Finishing**

Zinc-Nickel

**Standard Seal Material(s)**

NBR (Buna-N®), PTFE

Dimensions acc. to ISO 16028.


**FF/FU**

SW: Width across flats. All dimensions in mm (inch).

Port A	Dimensions (mm/in)					Weight ( <sup>g</sup> /oz) ca. per pc.	Male Tip VOSWINKEL Part Numbers STAUFF Ordering Codes	Weight ( <sup>g</sup> /oz) ca. per pc.
	ØD2	L1	L2	L3	L4			
<b>Female Thread according to DIN 3852-2</b>								
	G 3/4"	114			16		FU19-2-IGF12	826
		4.49			.63		QRC-FU-19-M-G12-BT-W3	1817.20
G 1"		114			18		FU19-2-IGF16	779
		4.49			.71		QRC-FU-19-M-G16-BT-W3	1713.80



**Series FH 25 ▪ BG 8 ▪ Nominal Size 25**

**Working Pressure**

260 bar / 26 MPa / 3770 PSI

**Burst Pressure**

800 bar / 80 MPa / 11603 PSI (Female Body)  
 800 bar / 80 MPa / 11603 PSI (Male Tip)  
 800 bar / 80 MPa / 11603 PSI (Connected)

The indicated pressure ratings only apply to the coupling itself and depend on the connection type.

**Material**

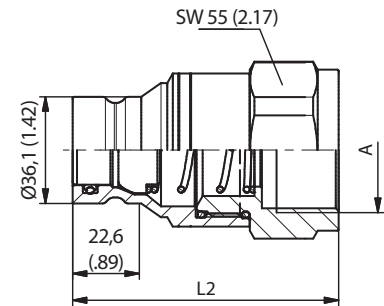
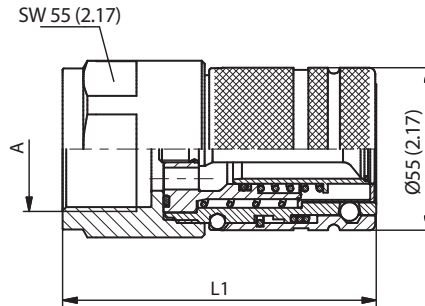
Steel

**Surface Finishing**

Zinc-Nickel

**Standard Seal Material(s)**

NBR (Buna-N®), PTFE



**FF/FU**

Dimensions acc. to ISO 16028.

SW: Width across flats. All dimensions in mm (inch).

	Port A	Dimensions ( <sup>mm</sup> / <sub>in</sub> )				Female Body		Weight	Male Tip		Weight
		ØD2	L1	L2	L3	L4	VOSWINKEL Part Numbers	( <sup>g</sup> / <sub>oz</sub> ) ca.	VOSWINKEL Part Numbers	( <sup>g</sup> / <sub>oz</sub> ) ca.	
							STAUFF Ordering Codes	per pc.	STAUFF Ordering Codes	per pc.	
<b>Female Thread according to DIN 3852-2 - ANSI B 1.20.3 - SAE J1926-1</b>											
	G 1"	106	90		18	FH25-1-IGF16	1417	FH25-2-IGF16	815		
		4.17	3.54		.71	QRC-FH-25-F-G16-BT-W3	3117.40	QRC-FH-25-M-G16-BT-W3	1793.00		
	G 1" 1/4	106	90		20	FH25-1-IGF20	1301	FH25-2-IGF20	714		
		4.17	3.54		.79	QRC-FH-25-F-G20-BT-W3	2862.20	QRC-FH-25-M-G20-BT-W3	1570.80		
	G 1" 1/2	106	95,6		22	FH25-1-IGF24	1233	FH25-2-IGF24	704		
		4.17	3.76		.87	QRC-FH-25-F-G24-BT-W3	2712.60	QRC-FH-25-M-G24-BT-W3	1548.80		
	NPTF 1" 1/4-11 1/2	106	90			FH25-1-INF20	1337	FH25-2-INF20	736		
		4.17	3.54			QRC-FH-25-F-NF20-BT-W3	2941.40	QRC-FH-25-M-NF20-BT-W3	1619.20		
	UN 1" 5/16 - 12	106	90		19	FH25-1-IUF16	1405	FH25-2-IUF16	808		
		4.17	3.54		.75	QRC-FH-25-F-U16-BT-W3	3091.00	QRC-FH-25-M-U16-BT-W3	1777.60		
UN 1" 5/8 - 12	106	90		19	FH25-1-IUF20	1321	FH25-2-IUF20	720			
	4.17	3.54		.75	QRC-FH-25-F-U20-BT-W3	2906.20	QRC-FH-25-M-U20-BT-W3	1584.00			



**Series FX 38 • BG 12 • Nominal Size 31,5**
**Working Pressure**

300 bar / 30 MPa / 4351 PSI

**Burst Pressure**

1000 bar / 100 MPa / 14504 PSI (Female Body)

1000 bar / 100 MPa / 14504 PSI (Male Tip)

1000 bar / 100 MPa / 14504 PSI (Connected)

The indicated pressure ratings only apply to the coupling itself and depend on the connection type.

**Material**

Steel

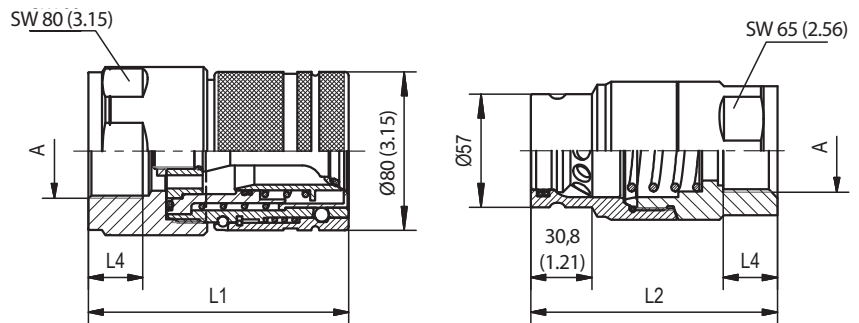
**Surface Finishing**

Zinc-Nickel

**Standard Seal Material(s)**

NBR (Buna-N®), PTFE, PU

Dimensions acc. to ISO 16028.



SW: Width across flats. All dimensions in mm (inch).

**FF/FU**

	Port A	Dimensions ( <sup>mm</sup> / <sub>in</sub> )				Female Body		Weight	Male Tip		Weight
		ØD2	L1	L2	L3	L4	VOSWINKEL Part Numbers	( <sup>g</sup> / <sub>oz</sub> ) ca.	VOSWINKEL Part Numbers	( <sup>g</sup> / <sub>oz</sub> ) ca.	
							STAUFF Ordering Codes	per pc.	STAUFF Ordering Codes	per pc.	
<b>Female Thread according to ISO 3852-2 - ANSI B 1.20.3 - SAE J1926-1</b>											
	G" 1 1/4	131,6	124,6		21,5	<b>FX38-1-IGF20</b>	3884	<b>FX38-2-IGF20</b>	2186		
		5.18	4.91		.85	<b>QRC-FX-38-F-G20-S1-W3</b>	8544.80	<b>QRC-FX-38-M-G20-BT-W3</b>	4809.20		
	G 1" 1/2	131,6	124,6		23	<b>FX38-1-IGF24</b>	3791	<b>FX38-2-IGF24</b>	2099		
		5.18	4.91		.89	<b>QRC-FX-38-F-G24-S1-W3</b>	8340.20	<b>QRC-FX-38-M-G24-BT-W3</b>	4617.80		
	NPTF 1" 1/4- 11 1/2	131,6	124,6			<b>FX38-1-INF20</b>	3905	<b>FX38-2-INF20</b>	2211		
		5.18	4.91			<b>QRC-FX-38-F-NF20-S1-W3</b>	8591.00	<b>QRC-FX-38-M-NF20-BT-W3</b>	4864.20		
	NPTF 1" 1/2- 11 1/2	131,6	124,6			<b>FX38-1-INF24</b>	3812	<b>FX38-2-INF24</b>	2168		
		5.18	4.91			<b>QRC-FX-38-F-NF24-S1-W3</b>	8386.40	<b>QRC-FX-38-M-NF24-BT-W3</b>	4769.60		
	UN 1" 5/8-12	131,6	124,6		19	<b>FX38-1-IUF20</b>	3877	<b>FX38-2-IUF20</b>	2185		
		5.18	4.91		.75	<b>QRC-FX-38-F-U20-S1-W3</b>	8529.40	<b>QRC-FX-38-M-U20-BT-W3</b>	4807.00		
	UN 1" 7/8-12	131,6	124,6		19	<b>FX38-1-IUF24</b>	3761	<b>FX38-2-IUF24</b>	2103		
		5.18	4.91		.75	<b>QRC-FX-38-F-U24-S1-W3</b>	8274.20	<b>QRC-FX-38-M-U24-BT-W3</b>	4626.60		



**Series FH 51 ▪ BG 14 ▪ Nominal Size 51**

**Working Pressure**

250 bar / 25 MPa / 3626 PSI

**Burst Pressure**

1000 bar / 100 MPa / 14500 PSI (Female Body)

1000 bar / 100 MPa / 14500 PSI (Male Tip)

1000 bar / 100 MPa / 14500 PSI (Connected)

The indicated pressure ratings only apply to the coupling itself and depend on the connection type.

**Material**

Steel

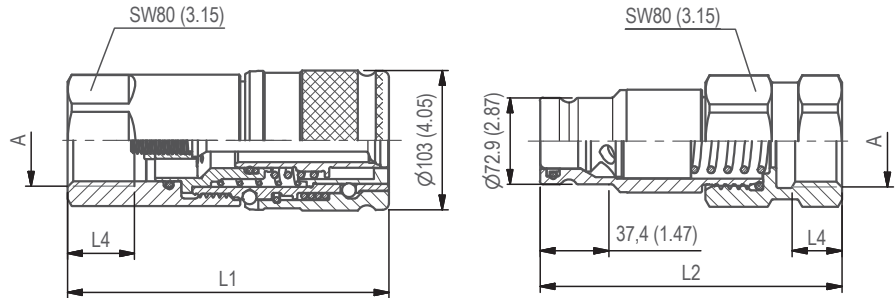
**Surface Finishing**

Zinc-Plating and Thick-Film-Passivation (Chrome III)

**Standard Seal Material(s)**

NBR (Buna-N®)

Dimensions acc. to ISO 16028.

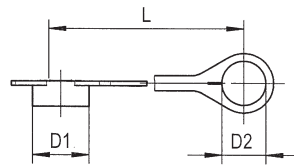
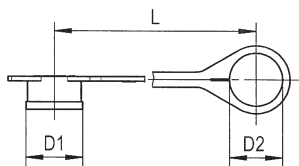


SW: Width across flats. All dimensions in mm (inch).

	Port A	Dimensions ( <sup>mm</sup> / <sub>in</sub> )				Female Body		Weight	Male Tip		Weight
		ØD2	L1	L2	L3	L4	VOSWINKEL Part Numbers	( <sup>g</sup> / <sub>oz</sub> ) ca.	VOSWINKEL Part Numbers	( <sup>g</sup> / <sub>oz</sub> ) ca.	
							STAUFF Ordering Codes	per pc.	STAUFF Ordering Codes	per pc.	
Female Thread according to DIN 3852-2-A - ANSI B 1.20.3											
	G 2"		147,4	173		24	FH51-1-IGF32	5500	FH51-2-IGF32	4890	
			5.80	6.81		.94	QRC-FH-51-F-G32-BT-W66I	12100.00	QRC-FH-51-M-G32-BT-W66I	10758.00	
	NPTF 2" -11 1/2		147,4	173			FH51-1-INF32	5400	FH51-2-INF32	4790	
			5.80	6.81			QRC-FH-51-F-NF32-BT-W66I	11880.00	QRC-FH-51-M-NF32-BT-W66I	10538.00	





**Series FH/FU/FF • Dust Protection**


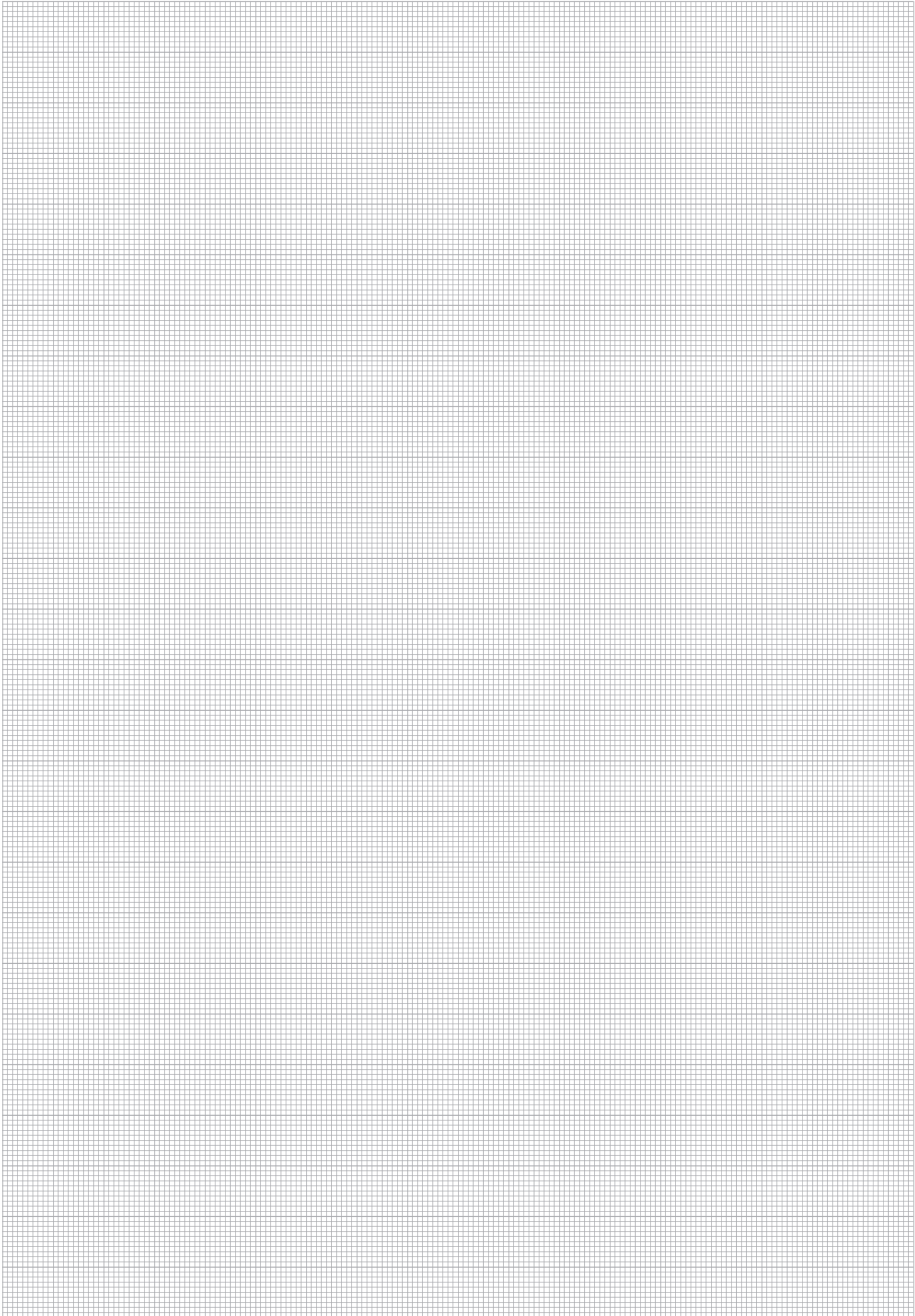
Dimensions (mm/in)			Material	Dust Cap for Male Tip	
D1	D2	L		VOSWINKEL Part Numbers	STAUFF Ordering Codes
28	24	170	Plastic (Colour: Red)	FH06-0-RT001	QRC-FH-06-DM-24-K-RD
1.10	.94	6.69			
32	30	115	Plastic (Colour: Red)	FH10-0-RT001	QRC-FH-10-DM-30-K-RD
1.26	1.18	4.53			
38	35,5	135	Plastic (Colour: Red)	FH12-0-RT001	QRC-FH-12-DM-36-K-RD
1.50	1.40	5.31			
42	30	220	Plastic (Colour: Red)	FH16-0-RT001	QRC-FH-16-DM-30-K-RD
1.65	1.18	8.66			
48	45,5	150	Plastic (Colour: Red)	FH19-0-RT001	QRC-FH-19-DM-46-K-RD
1.89	1.79	5.91			
46	51	290	Plastic (Colour: Red)	FH25-0-RT001	QRC-FH-25-DM-51-K-RD
1.81	2.01	11.42			

Dimensions (mm/in)			Material	Dust Plug for Female Body	
D1	D2	L		VOSWINKEL Part Numbers	STAUFF Ordering Codes
34	24	170	Plastic (Colour: Red)	FH06-9-RT001	QRC-FH-06-DF-24-K-RD
1.34	.94	6.69			
38	30	130	Plastic (Colour: Red)	FH10-9-RT001	QRC-FH-10-DF-30-K-RD
1.50	1.18	5.12			
45	35,5	140	Plastic (Colour: Red)	FH12-9-RT001	QRC-FH-12-DF-36-K-RD
1.77	1.40	5.51			
46	30	225	Plastic (Colour: Red)	FH16-9-RT001	QRC-FH-16-DF-30-K-RD
1.81	1.18	8.86			
62	45,5	170	Plastic (Colour: Red)	FH19-9-RT001	QRC-FH-19-DF-46-K-RD
2.44	1.79	6.69			
62	51	290	Plastic (Colour: Red)	FH25-9-RT001	QRC-FH-25-DF-51-K-RD
2.44	2.01	11.42			

In addition to the standard colours as stated above, plastic dust caps are also available in blue, green, yellow and black. Please use the VOSWINKEL codes BL, GN, GE and SW respectively instead of RT. Please use the STAUFF codes BU, GN, YE and BK respectively instead of RD. Other sizes on request.

**FF/FU**


FF/FU



Series FH-VA • Characteristics	126
Series FH 10-VA • BG 2 • Nominal Size 10	127
Series FH 12-VA • BG 3 • Nominal Size 12	128
Series FH 19-VA • BG 6 • Nominal Size 19	129

**FH-VA**



### Series FH-VA ▪ Characteristics

**Description**

- Flat face quick release coupling
- Available in size 10, 12 and 19
- Resistant to aggressive environment and flow mediums (definition of qualified sealing is indispensable)
- Dimensions acc. to ISO 16028

**Working Pressure**

250 bar / 25 MPa / 3625 PSI

The indicated pressure ratings only apply to the coupling itself and depend on the connection type.

**Working Temperature**

-25° C ... +200° C / -13° F ... +392° F

**Material**

Stainless steel V4A (AISI 316L)

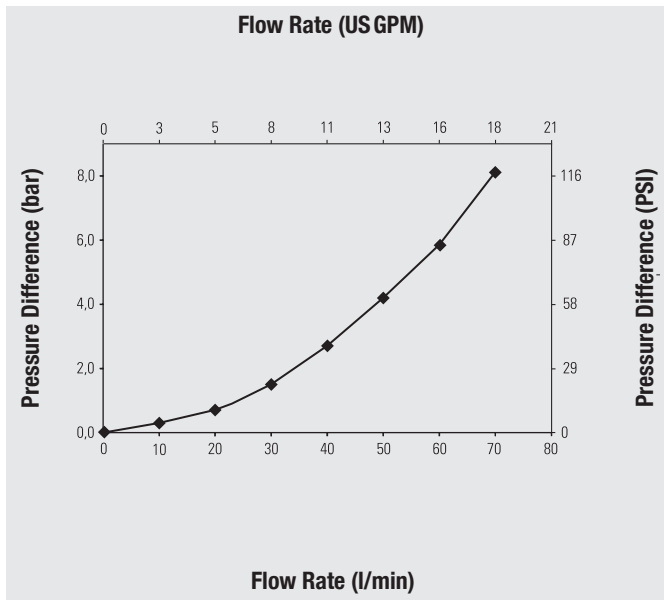
**Standard Seal Material(s)**

FKM (Viton®), PTFE

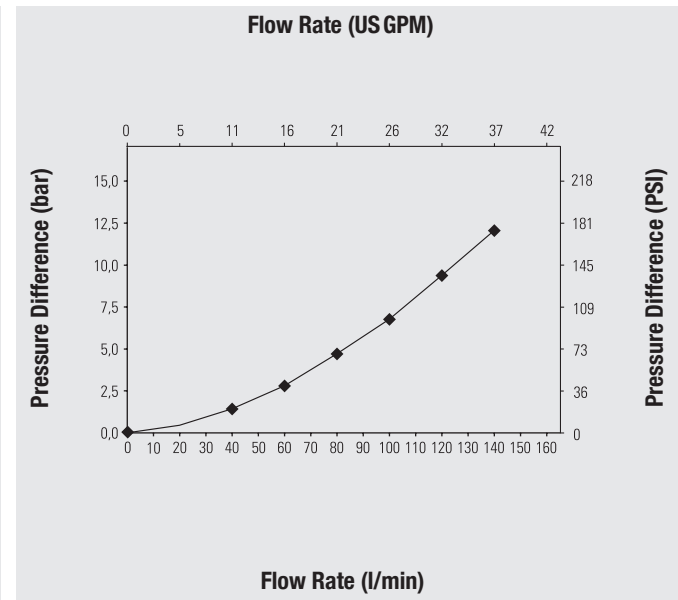


FH-VA

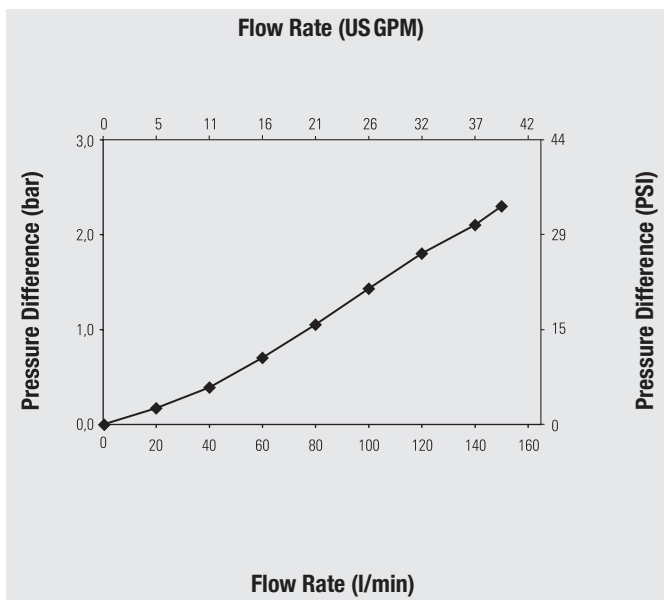
### Series FH 10-VA ▪ BG 2



### Series FH 12-VA ▪ BG 3



### Series FH 19-VA ▪ BG 6



Please note: Unless otherwise stated, all flow characteristics have been determined with hydraulic oil with a kinematic viscosity of 36 mm<sup>2</sup>/s (36 cSt) and are only valid for components with non-reducing connections.



**Series FH 10-VA ▪ BG 2 ▪ Nominal Size 10**
**Working Pressure**

250 bar / 25 MPa / 3626 PSI

**Burst Pressure**

1000 bar / 100 MPa / 14504 PSI (Female Body)

1000 bar / 100 MPa / 14504 PSI (Male Tip)

1300 bar / 130 MPa / 18855 PSI (Connected)

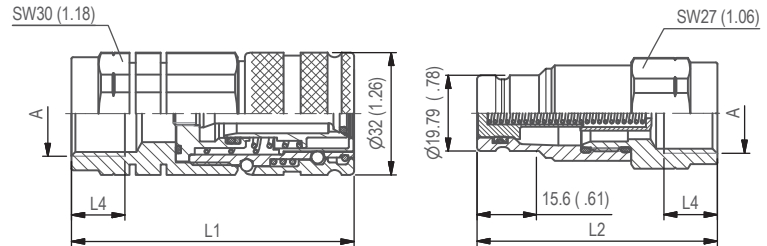
**Material**

Stainless steel V4A (AISI 316L)

**Standard Seal Material(s)**

FKM (Viton®), PTFE

Dimensions acc. to ISO 16028.



SW: Width across flats. All dimensions in mm (inch).

**FH-VA**

Port A	Dimensions (mm/in)					Female Body	Weight	Male Tip	Weight
	ØD2	L1	L2	L3	L4	VOSWINKEL Part Numbers STAUFF Ordering Codes	( <sup>g</sup> /oz) ca. per pc.	VOSWINKEL Part Numbers STAUFF Ordering Codes	( <sup>g</sup> /oz) ca. per pc.
<b>Female Thread according to DIN 3852-2 - ISO 9974-1 - ANSI B 1.20.3</b>									
	G 3/8"	68,9	57,8		12,5	FH10-1-IGF06VA	300	FH10-2-IGF06VA	158
		2,71	2,28		.49	QRC-FH-10-F-G06-VT-W5	660.00	QRC-FH-10-M-G06-VT-W5	347.60
	G 1/2"	74	62,9		14	FH10-1-IGF08VA	304	FH10-2-IGF08VA	155
		2,91	2,48		.55	QRC-FH-10-F-G08-VT-W5	668.80	QRC-FH-10-M-G08-VT-W5	341.00
	NPTF 1/2"	74	62,9			FH10-1-INF08VA	308	FH10-2-INF08VA	152
		2,91	2,48			QRC-FH-10-F-NF08-VT-W5	677.60	QRC-FH-10-M-NF08-VT-W5	334.40
<b>Male Thread with 24° Conical Bore - Shape W according to DIN 3861</b>									
	M18x1,5	88,3	79,4	11		FH10-1-L1218VA	345	FH10-2-L1218VA	204
		3,48	3,13	.43		QRC-FH-10-F-12L-VT-W5	759.00	QRC-FH-10-M-12L-VT-W5	448.80
	M22x1,5	110,9	27			FH10-1-N1522VA		FH10-2-N1522VA	298
		4,37	1,06			QRC-FH-10-F-15LB-VT-W5		QRC-FH-10-M-15LB-VT-W5	655.60





**Series FH 12-VA ▪ BG 3 ▪ Nominal Size 12**

**Working Pressure**

250 bar / 25 MPa / 3626 PSI

**Burst Pressure**

750 bar / 75 MPa / 10878 PSI (Female Body)  
 1000 bar / 100 MPa / 14504 PSI (Male Tip)  
 1300 bar / 130 MPa / 18855 PSI (Connected)

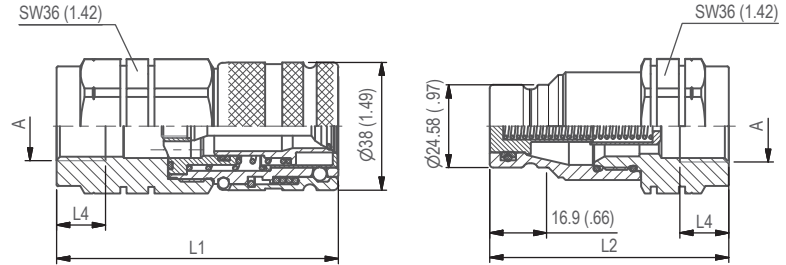
**Material**

Stainless steel V4A (AISI 316L)

**Standard Seal Material(s)**

FKM (Viton®), PTFE

Dimensions acc. to ISO 16028.



SW: Width across flats. All dimensions in mm (inch).

**FH-VA**

Port A	Dimensions ( <sup>mm</sup> / <sub>in</sub> )					Female Body		Weight ( <sup>g</sup> / <sub>oz</sub> ) ca. per pc.	Male Tip		Weight ( <sup>g</sup> / <sub>oz</sub> ) ca. per pc.
	ØD2	L1	L2	L3	L4	VOSWINKEL Part Numbers	STAUFF Ordering Codes		VOSWINKEL Part Numbers	STAUFF Ordering Codes	
<b>Female Thread according to DIN 3852-2 - ISO 9974-1 - ANSI B 1.20.3</b>											
	G 1/2"	84	71,0		14	FH12-1-IGF08VA		525	FH12-2-IGF08VA		326
		3.31	2.80		.55	QRC-FH-12-F-G08-VT-W5		1155.00	QRC-FH-12-M-G08-VT-W5		717.20
	G 3/4"	84	71,0		16	FH12-1-IGF12VA		491	FH12-2-IGF12VA		295
		3.31	2.80		.63	QRC-FH-12-F-G12-VT-W5		1080.20	QRC-FH-10-M-G08-VT-W5		649.00
	NPTF 1/2"	84	71,0			FH12-1-INF08VA		528	FH12-2-INF08VA		330
		3.31	2.80			QRC-FH-12-F-NF08-VT-W5		1161.60	QRC-FH-12-M-NF08-VT-W5		726.00
<b>Male Thread with 24° Conical Bore - Shape W according to DIN 3861</b>											
	M18x1,5	12L	103,8	91,1	11	FH12-1-L1218VA		601	FH12-2-L1218VA		404
		4.09	3.59	.43		QRC-FH-12-F-12L-VT-W5		1322.20	QRC-FH-12-M-12L-VT-W5		888.80
	M22x1,5	15L	104,8	92,1	12	FH12-1-L1522VA		606	FH12-2-L1522VA		409
		4.13	3.63	1,06		QRC-FH-12-F-15L-VT-W5		1333.20	QRC-FH-12-M-15L-VT-W5		899.80



**Series FH 19-VA ▪ BG 6 ▪ Nominal Size 19**
**Working Pressure**

250 bar / 25 MPa / 3626 PSI

**Burst Pressure**

750 bar / 75 MPa / 10878 PSI (Female Body)

1000 bar / 100 MPa / 14504 PSI (Male Tip)

1300 bar / 130 MPa / 18855 PSI (Connected)

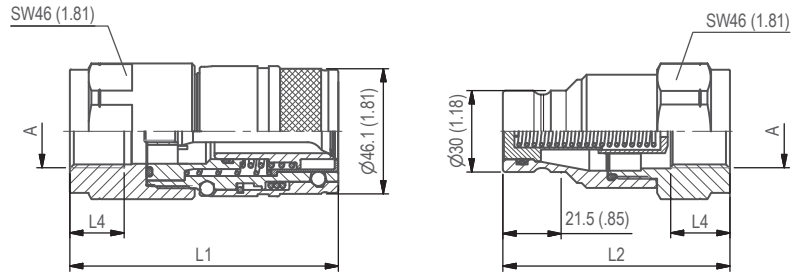
**Material**

Stainless steel V4A (AISI 316L)

**Standard Seal Material(s)**

FKM (Viton®), PTFE

Dimensions acc. to ISO 16028.



SW: Width across flats. All dimensions in mm (inch).

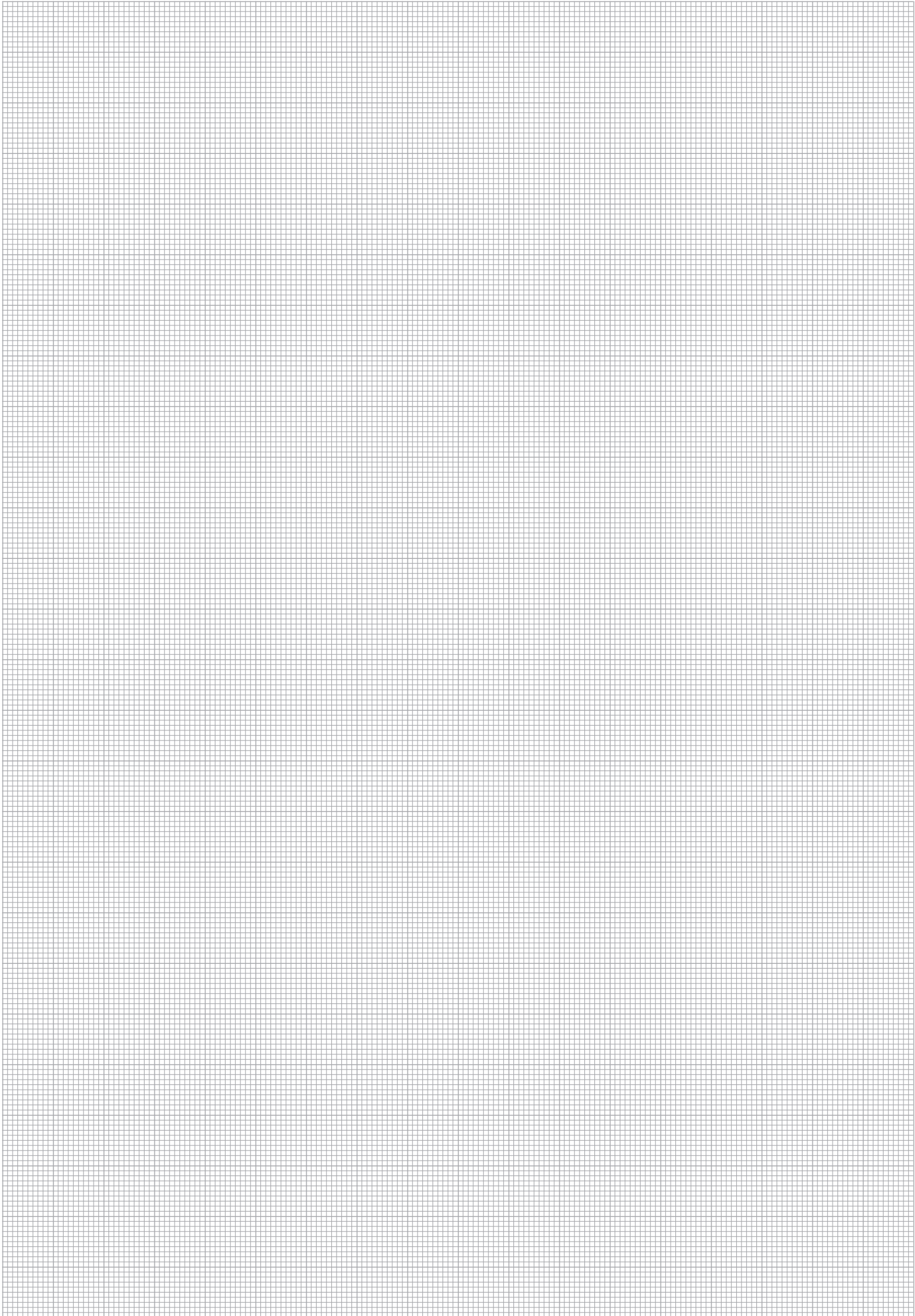
**FH-VA**

Port A	Dimensions (mm/in)				Female Body		Weight ( <sup>g</sup> / <sub>oz</sub> ) ca. per pc.	Male Tip		Weight ( <sup>g</sup> / <sub>oz</sub> ) ca. per pc.
	ØD2	L1	L2	L3	L4	VOSWINKEL Part Numbers		VOSWINKEL Part Numbers		
						STAUFF Ordering Codes		STAUFF Ordering Codes		
<b>Female Thread according to DIN 3852-2 - ISO 9974-1 - ANSI B 1.20.3</b>										
	G 3/4"	99	84		16	<b>FH19-1-IGF12VA</b>	1029	<b>FH19-2-IGF12VA</b>	570	
		3.90	3.31		.63	<b>QRC-FH-19-F-G12-VT-W5</b>	2263.80	<b>QRC-FH-19-M-G12-VT-W5</b>	1254.00	
	G 1"	99	84		18	<b>FH19-1-IGF16VA</b>	972	<b>FH19-2-IGF16VA</b>	511	
		3.90	3.31		.71	<b>QRC-FH-19-F-G16-VT-W5</b>	2138.40	<b>QRC-FH-19-M-G16-VT-W5</b>	1124.20	
	NPTF 1"-11 1/2	99	84			<b>FH19-1-INF16VA</b>	1004	<b>FH19-2-INF16VA</b>	543	
		3.90	3.31			<b>QRC-FH-19-F-NF16-VT-W5</b>	2208.80	<b>QRC-FH-19-M-NF16-VT-W5</b>	1194.60	
<b>Male Thread with 24° Conical Bore - Shape W according to DIN 3861</b>										
	M30x2	20S	130	114,8	16	<b>FH19-1-S2030VA</b>	1200	<b>FH19-2-S2030VA</b>	741	
			5.12	4.52	.63	<b>QRC-FH-19-F-20S-VT-W5</b>	2640.00	<b>QRC-FH-19-M-20S-VT-W5</b>	1630.20	





FH-VA



Series FO-VA ▪ Characteristics	132 - 133
Series FO 06-VA ▪ BG 1 ▪ Nominal Size 6,3	134
Series FO 10-VA ▪ BG 2 ▪ Nominal Size 10	135
Series FO 12-VA ▪ BG 3 ▪ Nominal Size 12,5	136
Series FO 19-VA ▪ BG 6 ▪ Nominal Size 19	137
Series FO 25-VA ▪ BG 8 ▪ Nominal Size 25	138


**FO-VA**


### Series FO-VA ▪ Characteristics

**Description**

- Flat-face quick release coupling
- Valve design: double shut-off
- Connection under pressure: not permissible

**Working Pressure**

350 bar / 35 MPa / 5075 PSI

The indicated pressure ratings only apply to the coupling itself and depend on the connection type.

**Working Temperature**

-25° C ... +200° C / -13° F ... +392° F

**Material**

Stainless Steel V4A (AISI 316)

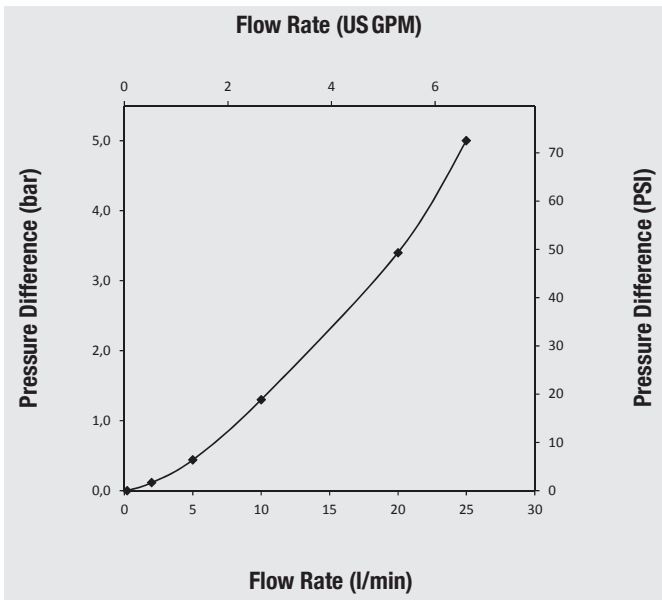
**Standard Seal Material(s)**

FKM (Viton®)

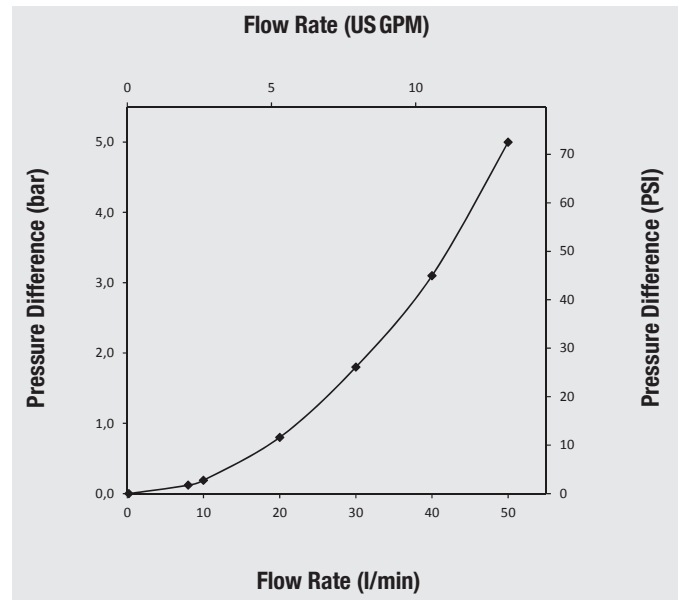


**FO-VA**

### Series FO 06-VA ▪ BG 1 ▪ Nominal Size 6,3



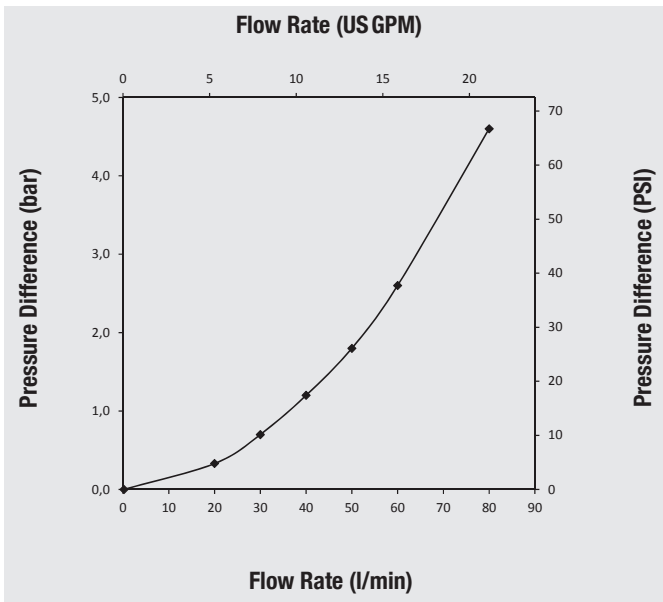
### Series FO 10-VA ▪ BG 2 ▪ Nominal Size 10



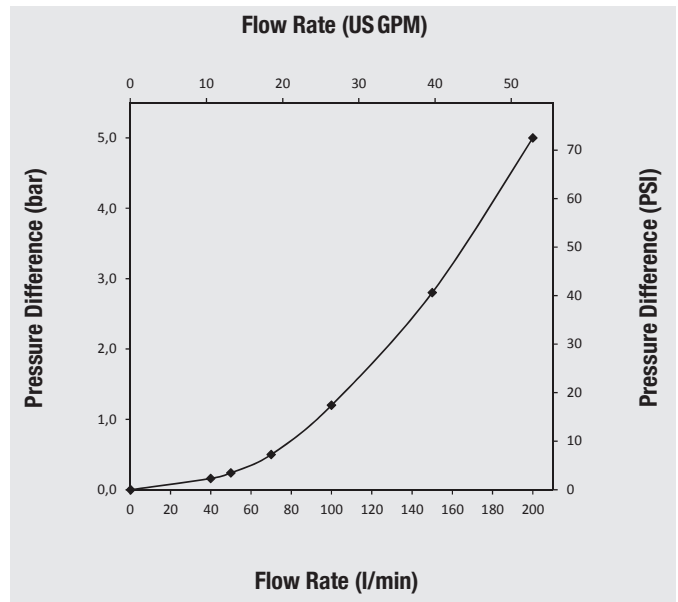
Please note: Unless otherwise stated, all flow characteristics have been determined with hydraulic oil with a kinematic viscosity of 36 mm<sup>2</sup>/s (36 cSt) and are only valid for components with non-reducing connections.



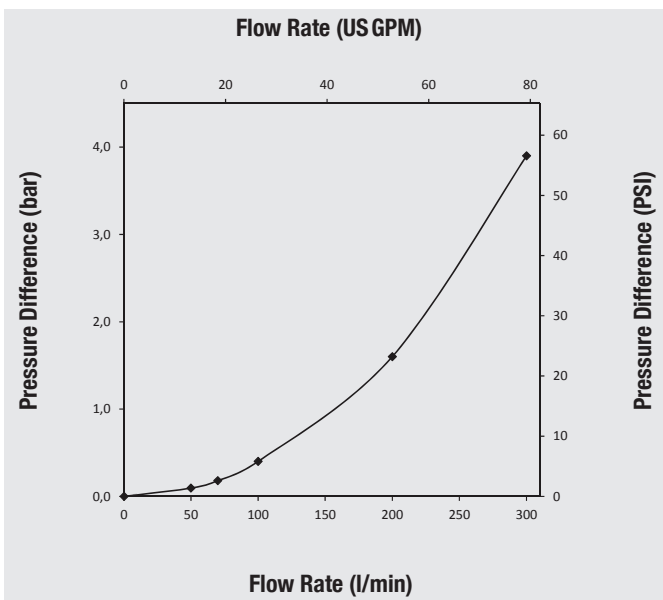
**Series FO 12-VA ▪ BG 3 ▪ Nominal Size 12,5**



**Series FO 19-VA ▪ BG 6 ▪ Nominal Size 19**



**Series FO 25-VA ▪ BG 8 ▪ Nominal Size 25**



**Series FO 06-VA ▪ BG 1 ▪ Nominal Size 6,3**

**Working Pressure**

350 bar / 35 MPa / 5076 PSI

**Burst Pressure**

1700 bar / 170 MPa / 24657 PSI (Female Body)

1970 bar / 197 MPa / 28573 PSI (Male Tip)

2150 bar / 215 MPa / 31184 PSI (Connected)

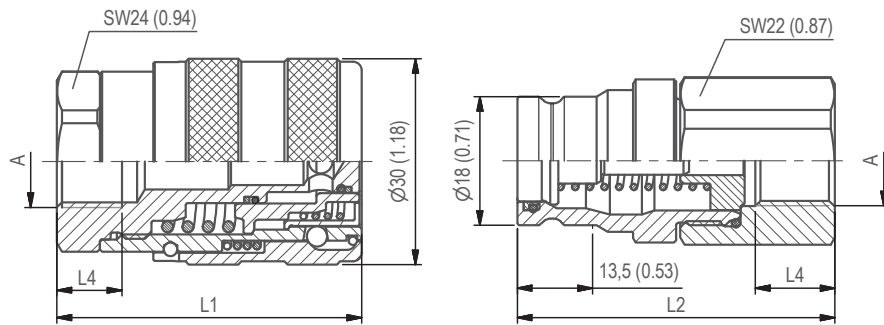
The indicated pressure ratings only apply to the coupling itself and depend on the connection type.

**Material**

Stainless Steel V4A (AISI 316)

**Standard Seal Material(s)**

FKM (Viton®)



SW: Width across flats. All dimensions in mm (inch). Drawing similar series FO 12-VA.

**FO-VA**

Port A	Dimensions ( <sup>mm</sup> / <sub>in</sub> )				Female Body		Weight ( <sup>g</sup> / <sub>oz</sub> ) ca. per pc.	Male Tip		Weight ( <sup>g</sup> / <sub>oz</sub> ) ca. per pc.
	ØD2	L1	L2	L3	L4 min	VOSWINKEL Part Numbers STAUFF Ordering Codes		VOSWINKEL Part Numbers STAUFF Ordering Codes		
Female Thread according to DIN 3852 - ANSI B 1.20.3										
	G 1/4"	55	61,5		12	F006-1-IGF04-VA	179	F006-2-IGF04-VA	122	
		2.17	2.42		0.47	QRC-FO-06-F-G04-VT-W5I	393.80	QRC-FO-06-M-G04-VT-W5I	268.40	
NPTF 1/4" -18		55	61,5			F006-1-INF04-VA	180	F006-2-INF04-VA	123	
		2.17	2.42			QRC-FO-06-F-NF04-VT-W5I	396.00	QRC-FO-06-M-NF04-VT-W5I	270.60	





**Series FO 10-VA ▪ BG 2 ▪ Nominal Size 10**
**Working Pressure**

350 bar / 35 MPa / 5076 PSI

**Burst Pressure**

1300 bar / 130 MPa / 18855 PSI (Female Body)

1400 bar / 140 MPa / 20306 PSI (Male Tip)

2000 bar / 200 MPa / 29008 PSI (Connected)

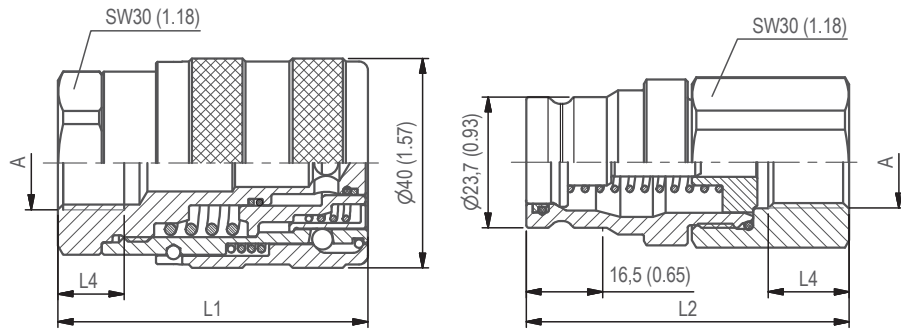
The indicated pressure ratings only apply to the coupling itself and depend on the connection type.

**Material**

Stainless Steel V4A (AISI 316)

**Standard Seal Material(s)**

FKM (Viton®)



SW: Width across flats. All dimensions in mm (inch). Drawing similar series FO 12-VA.

Port A	Dimensions (mm/in)				Female Body	Weight	Male Tip	Weight	
	ØD2	L1	L2	L3	VOSWINKEL Part Numbers STAUFF Ordering Codes	( <sup>g</sup> /oz) ca. per pc.	VOSWINKEL Part Numbers STAUFF Ordering Codes	( <sup>g</sup> /oz) ca. per pc.	
Female Thread according to DIN 3852 - ANSI B 1.20.3									
	G 3/8"	62	70	14	FO10-1-IGF06-VA	390	FO10-2-IGF06-VA	217	
	NPTF 3/8" -18	2.44	2.76		0.47	QRC-FO-10-F-G06-VT-W5I	858.00	QRC-FO-10-M-G06-VT-W5I	477.40
		2.44	2.76			FO10-1-INF06-VA	390	FO10-2-INF06-VA	220
	G 1/2"	62	69,5	14		QRC-FO-10-F-NF06-VT-W5I	858.00	QRC-FO-10-M-NF06-VT-W5I	484.00
		2.44	2.74		0.55	FO10-1-IGF08-VA	369	FO10-2-IGF08-VA	201
	NPTF 1/2" -14	62	73,5			QRC-FO-10-F-G08-VT-W5I	811.80	QRC-FO-10-M-G08-VT-W5I	442.20
		2.44	2.89			FO10-1-INF08-VA	371	FO10-2-INF08-VA	216
						QRC-FO-10-F-NF08-VT-W5I	816.20	QRC-FO-10-M-NF08-VT-W5I	475.20

**FO-VA**


**Series FO 12-VA ▪ BG 3 ▪ Nominal Size 12,5**

**Working Pressure**

350 bar / 35 MPa / 5076 PSI

**Burst Pressure**

1300 bar / 130 MPa / 18855 PSI (Female Body)

1100 bar / 110 MPa / 15954 PSI (Male Tip)

2000 bar / 200 MPa / 29008 PSI (Connected)

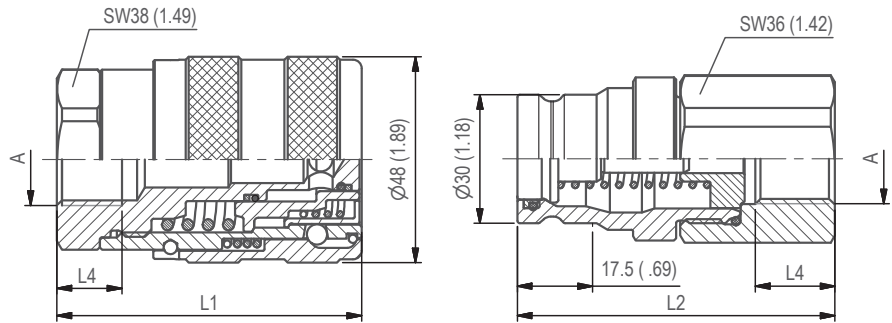
The indicated pressure ratings only apply to the coupling itself and depend on the connection type.

**Material**

Stainless Steel V4A (AISI 316)

**Standard Seal Material(s)**

FKM (Viton®)



SW: Width across flats. All dimensions in mm (inch). Drawing similar series FO 12-VA.

**FO-VA**

Port A	Dimensions ( <sup>mm</sup> / <sub>in</sub> )				Female Body		Weight	Male Tip		Weight
	ØD2	L1	L2	L3	L4 min	VOSWINKEL Part Numbers	( <sup>g</sup> / <sub>oz</sub> ) ca.	VOSWINKEL Part Numbers	( <sup>g</sup> / <sub>oz</sub> ) ca.	
Female Thread according to DIN 3852 - ANSI B 1.20.3						STAUFF Ordering Codes	per pc.	STAUFF Ordering Codes	per pc.	
	G 1/2"	71	74		14	FO12-1-IGF08-VA	631	FO12-2-IGF08-VA	383	
		2.80	2.91		0.55	QRC-FO-12-F-G08-VT-W5I	1388.20	QRC-FO-12-M-G08-VT-W5I	842.60	
	NPTF 1/2" -14	71	74			FO12-1-INF08-VA	634	FO12-2-INF08-VA	385	
		2.80	2.91			QRC-FO-12-F-NF08-VT-W5I	1394.80	QRC-FO-12-M-NF08-VT-W5I	847.00	





**Series FO 19-VA ▪ BG 6 ▪ Nominal Size 19**
**Working Pressure**

350 bar / 35 MPa / 5076 PSI

**Burst Pressure**

1280 bar / 128 MPa / 18565 PSI (Female Body)

1100 bar / 110 MPa / 15954 PSI (Male Tip)

1700 bar / 170 MPa / 24657 PSI (Connected)

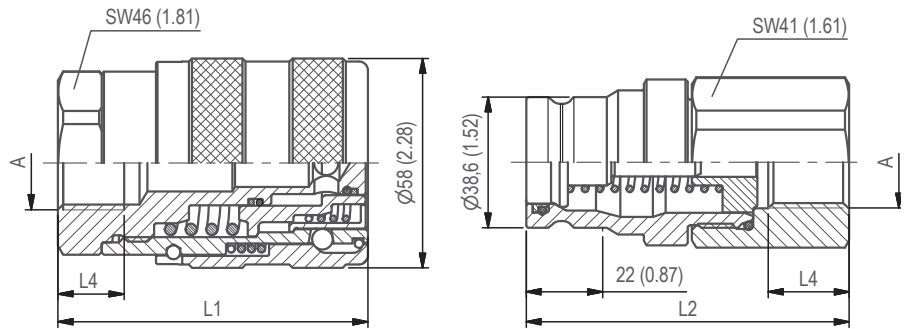
The indicated pressure ratings only apply to the coupling itself and depend on the connection type.

**Material**

Stainless Steel V4A (AISI 316)

**Standard Seal Material(s)**

FKM (Viton®)



SW: Width across flats. All dimensions in mm (inch). Drawing similar series FO 12-VA.

Port A	Dimensions (mm/in)				Female Body		Weight	Male Tip		Weight
	ØD2	L1	L2	L3	L4 min	VOSWINKEL Part Numbers	( <sup>g</sup> /oz) ca.	VOSWINKEL Part Numbers	( <sup>g</sup> /oz) ca.	
						STAUFF Ordering Codes	per pc.	STAUFF Ordering Codes	per pc.	
Female Thread according to DIN 3852 - ANSI B 1.20.3										
	G 3/4"	79	90		16	FO19-1-IGF12-VA	954	FO19-2-IGF12-VA	560	
		3.11	3.54		0.63	QRC-FO-19-F-G12-VT-W5I	2098.80	QRC-FO-19-M-G12-VT-W5I	1232.00	
	NPTF 3/4" -14	79	90			FO19-1-INF12-VA	960	FO19-2-INF12-VA	567	
		3.11	3.54			QRC-FO-19-F-NF12-VT-W5I	2112.00	QRC-FO-19-M-NF12-VT-W5I	1247.40	

**FO-VA**


**Series FO 25-VA • BG 8 • Nominal Size 25**

**Working Pressure**

350 bar / 35 MPa / 5076 PSI

**Burst Pressure**

1150 bar / 115 MPa / 16680 PSI (Female Body)

1000 bar / 100 MPa / 14504 PSI (Male Tip)

1450 bar / 145 MPa / 21031 PSI (Connected)

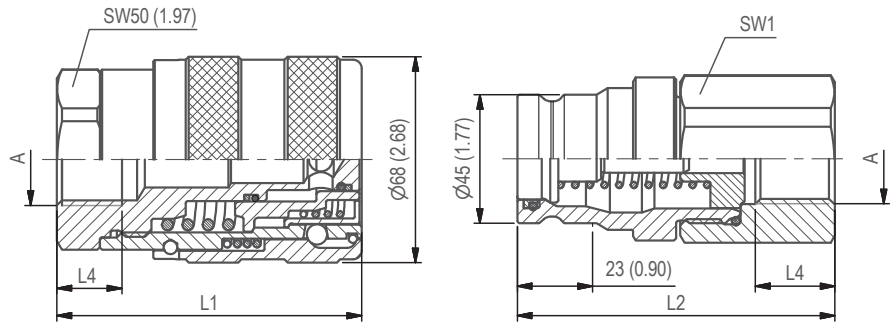
The indicated pressure ratings only apply to the coupling itself and depend on the connection type.

**Material**

Stainless Steel V4A (AISI 316)

**Standard Seal Material(s)**

FKM (Viton®)



SW: Width across flats. All dimensions in mm (inch). Drawing similar series FO 12-VA.

**FO-VA**

	Port A	Dimensions (mm/in)						Female Body		Male Tip	
		ØD2	L1	L2	L3	L4 min	SW1	VOSWINKEL Part Numbers	Weight	VOSWINKEL Part Numbers	Weight
								STAUFF Ordering Codes	per pc.	STAUFF Ordering Codes	per pc.
Female Thread according to DIN 3852 - ANSI B 1.20.3											
	G 1"	88	107		18	50	F025-1-IGF16-VA	1370	F025-2-IGF16-VA	828	
		3.46	4.21		0.71	1.97	QRC-FO-25-F-G16-VT-W5I	3014.00	QRC-FO-25-M-G16-VT-W5I	1821.60	
	NPTF 1" -11 1/2	88	107			50	F025-1-INF16-VA	1385	F025-2-INF16-VA	840	
		3.46	4.21			1.97	QRC-FO-25-F-NF16-VT-W5I	3047.00	QRC-FO-25-M-NF16-VT-W5I	1848.00	
	G 1 1/4"	88	107		20	55	F025-1-IGF20-VA	1275	F025-2-IGF20-VA	868	
		3.46	4.21		0.79	2.17	QRC-FO-25-F-G20-VT-W5I	2805.00	QRC-FO-25-M-G20-VT-W5I	1909.60	
	NPTF 1 1/4" -11 1/2	88	109			55	F025-1-INF20-VA	1289	F025-2-INF20-VA	880	
		3.46	4.29			2.17	QRC-FO-25-F-NF20-VT-W5I	2835.80	QRC-FO-25-M-NF20-VT-W5I	1936.00	



Series BP • Characteristics	140
Series BP 10 • BG 3 • Nominal Size 12,5	141
Series BP • Dust Protection	142



**BP**



### Series BP ▪ Characteristics

**Description**

The brake line couplings of the BP series have been developed for use in hydraulic brake systems, as mandatory in France.

Locking of the two halves of the coupling is achieved by means of precision snap-in balls. The design of the flat face valves guarantees an absolutely tight seal, as well as minimal loss of oil and prevention of air inclusions during coupling or uncoupling.

The design of the coupling meets the requirements of NFU 16006 and ISO 5676.

**Working Pressure**

150 bar / 15 MPa / 2175 PSI

The indicated pressure ratings only apply to the coupling itself and depend on the connection type.

**Working Temperature**

-25° C ... +100° C / -13° F ... +212° F

**Material**

Steel

**Surface Finishing**

Zinc-Plating and Thick-Film-Passivation (Chrome III)

**Standard Seal Material(s)**

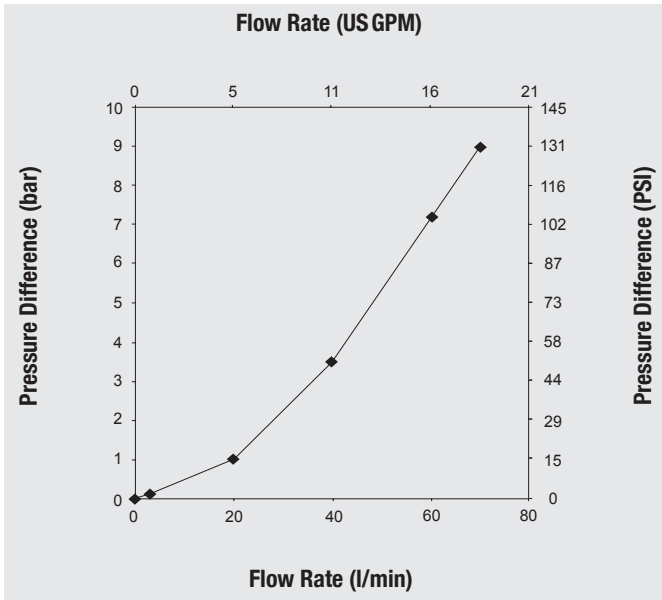
NBR (Buna-N®), PTFE

Alternative seal materials are available on request.



BP

### Series BP 10 ▪ BG 3 ▪ Nominal Size 12,5



Please note: Unless otherwise stated, all flow characteristics have been determined with hydraulic oil with a kinematic viscosity of 36 mm<sup>2</sup>/s (36 cSt) and are only valid for components with non-reducing connections.





**Series BP 10 ▪ BG 3 ▪ Nominal Size 12,5**
**Working Pressure**

150 bar / 15 MPa / 2175 PSI

**Burst Pressure**

75 bar / 7,5 MPa / 1088 PSI (Female Body)

150 bar / 15 MPa / 2176 PSI (Male Tip)

315 bar / 31,5 MPa / 4569 PSI (Connected)

The indicated pressure ratings only apply to the coupling itself and depend on the connection type.

**Material**

Steel

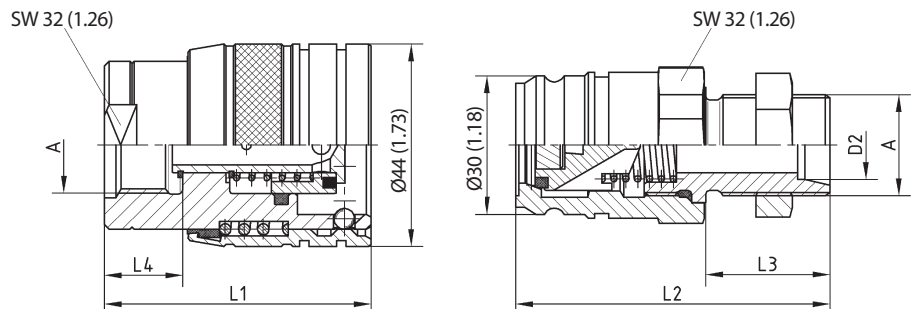
**Surface Finishing**

Zinc-Plating and Thick-Film-Passivation (Chrome III)

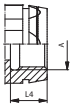
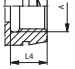
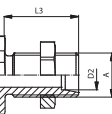
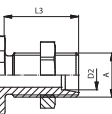
**Standard Seal Material(s)**

NBR (Buna-N®), PTFE

Dimensions acc. to ISO 5676.

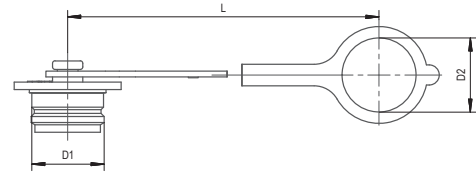
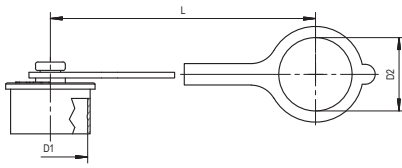


SW: Width across flats. All dimensions in mm (inch).

Port A	Dimensions (mm/in)				Female Body		Weight	Male Tip		Weight
	ØD2	L1	L2	L3	L4	VOSWINKEL Part Numbers STAUFF Ordering Codes	( <sup>g</sup> /oz) ca. per pc.	VOSWINKEL Part Numbers STAUFF Ordering Codes	( <sup>g</sup> /oz) ca. per pc.	
<b>Female Thread according to DIN 3852</b>										
 G 1/2"		55,5			15	BP10-1-IGF08	389			
		2.19			.59	QRC-BP-12-F-G08-BT-W66I	855.80			
 M18x1,5		55,5			15	BP10-1-IMF18	402			
		2.19			.59	QRC-BP-12-F-M180R-BT-W66I	884.40			
<b>Male Thread with 24° Conical Bore - Bulkhead - Shape W according to DIN 3861</b>										
 M18x1,5	12L		49	21				BP10-2-N1218	142	
			1.93	.83			QRC-BP-12-M-12LB-B-W66I	312.40		
 M22x1,5	15L		51	23				BP10-2-N1522	172	
			2.01	.91			QRC-BP-12-M-15LB-B-W66I	378.40		

**BP**


Series BP • Dust Protection



Dimensions (mm/in)			Material	Dust Cap for Male Tip	
D1	D2	L		VOSWINKEL Part Numbers	STAUFF Ordering Codes
30	29,5	185	Plastic (Colour: Red)	BP10-0-RT001	
1.18	1.16	7.28		QRC-BP-10-DM-30-K-RD	

Dimensions (mm/in)			Material	Dust Plug for Female Body	
D1	D2	L		VOSWINKEL Part Numbers	STAUFF Ordering Codes
29	29,5	185	Plastic (Colour: Red)	BP10-9-RT001	
1.14	1.16	7.28		QRC-BP-10-DF-30-K-RD	

BP





Series HC • Characteristics	144
Series HC 06 • BG 1 • Nominal Size 6,3	145
Series HC • Dust Protection	146



HC



### Series HC ▪ Characteristics

**Description**

- Flat-face quick release coupling
- Valve design: double shut-off
- Connection under pressure: not permissible

**Working Pressure**

1000 bar / 100 MPa / 1450 PSI

The indicated pressure ratings only apply to the coupling itself and depend on the connection type.

**Working Temperature**

-35° C ... +130° C / -31° F ... +266° F

**Material**

Steel

**Surface Finishing**

Zinc-Plating and Thick-Film-Passivation (Chrome III)

**Standard Seal Material(s)**

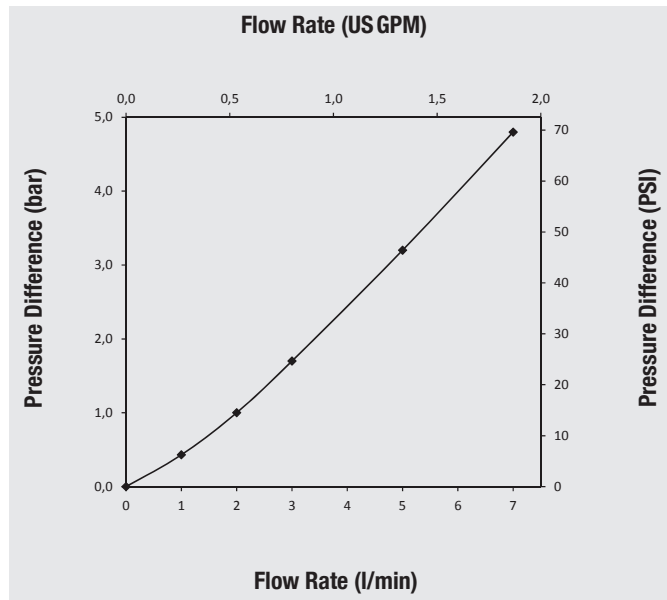
Special compound

Alternative seal materials are available on request.



### Series HC 06 ▪ BG 1 ▪ Nominal Size 6,3

HC



Please note: Unless otherwise stated, all flow characteristics have been determined with hydraulic oil with a kinematic viscosity of 36 mm<sup>2</sup>/s (36 cSt) and are only valid for components with non-reducing connections.



**Series HC 06 ▪ BG 1 ▪ Nominal Size 6,3**
**Working Pressure**

1000 bar / 100 MPa / 14504 PSI

**Burst Pressure**

2500 bar / 250 MPa / 36260 PSI (Female Body)

2500 bar / 250 MPa / 36260 PSI (Male Tip)

2500 bar / 250 MPa / 36260 PSI (Connected)

The indicated pressure ratings only apply to the coupling itself and depend on the connection type.

**Material**

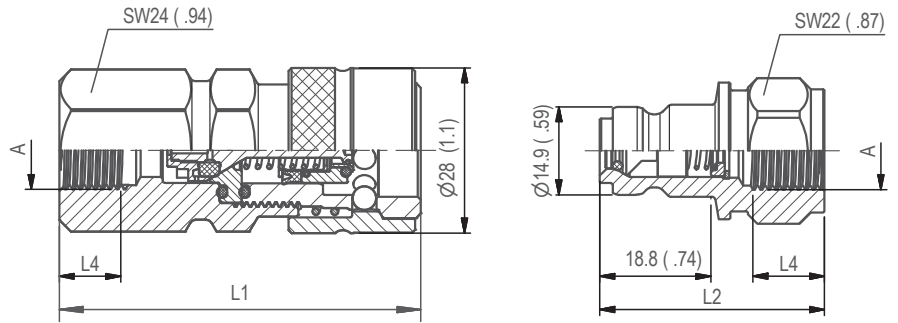
Steel

**Surface Finishing**

Zinc-Plating and Thick-Film-Passivation (Chrome III)

**Standard Seal Material(s)**

Special compound

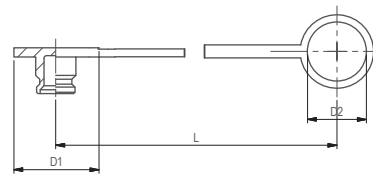
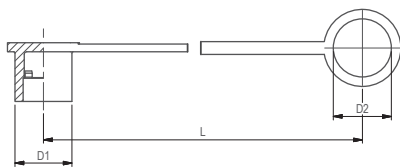


SW: Width across flats. All dimensions in mm (inch).

	Port A	Dimensions (mm/in)				Female Body		Weight ( <sup>g</sup> / <sub>oz</sub> ) ca. per pc.	Male Tip		Weight ( <sup>g</sup> / <sub>oz</sub> ) ca. per pc.
		ØD2	L1	L2	L3	L4 min	VOSWINKEL Part Numbers		VOSWINKEL Part Numbers		
							STAUFF Ordering Codes		STAUFF Ordering Codes		
Female Thread according to DIN 3852 - ANSI B 1.20.3											
	G 1/8"	54,3	38,1		8	HC06-1-IGF02	176	HC06-2-IGF02	78		
		2.14	1.50		0.31	QRC-HC-06-F-G02-Y-W66I	387.20	QRC-HC-06-M-G02-Y-W66I	171.60		
	G 1/4"	61,3	38,1		12	HC06-1-IGF04	195	HC06-2-IGF04	71		
		2.41	1.50		0.47	QRC-HC-06-F-G04-Y-W66I	429.00	QRC-HC-06-M-G04-Y-W66I	156.20		
	NPTF 1/4" -18	58,3	35,7			HC06-1-INF04	186	HC06-2-INF04	67		
		2.30	1.41			QRC-HC-06-F-NF04-Y-W66I	409.20	QRC-HC-06-M-NF04-Y-W66I	147.40		
	G 3/8"	63,3	39,6		12	HC06-1-IGF06	193	HC06-2-IGF06	84		
		2.49	1.56		0.47	QRC-HC-06-F-G06-Y-W66I	424.60	QRC-HC-06-M-G06-Y-W66I	184.80		
	NPTF 3/8" -18	60,3	39,6			HC06-1-INF06	185	HC06-2-INF06	78		
		2.37	1.56			QRC-HC-06-F-NF06-Y-W66I	407.00	QRC-HC-06-M-NF06-Y-W66I	171.60		

**HC**


Series HC • Dust Protection



Dimensions (mm/in)			Material	Dust Cap for Male Tip	
D1	D2	L		VOSWINKEL Part Numbers	STAUFF Ordering Codes
29	22,5	110	Plastic (Colour: Red)	HC06-0-RT001	
1.14	.89	4.33		QRC-HC-06-DM-23-KI-RD	

Dimensions (mm/in)			Material	Dust Plug for Female Body	
D1	D2	L		VOSWINKEL Part Numbers	STAUFF Ordering Codes
29	20,5	110	Plastic (Colour: Red)	HC06-9-RT001	
1.14	.81	4.33		QRC-HC-06-DF-21-KI-RD	

In addition to the standard colours as stated above, plastic dust caps are also available in blue, green, yellow and black. Please use the VOSWINKEL codes BL, GN, GE and SW respectively instead of RT. Please use the STAUFF codes BU, GN, YE and BK respectively instead of RD.

HC





Series HD • Characteristics	148
Series HD 06 • BG 1 • Nominal Size 6,3	149
Series HD • Dust Protection	150



HD



### Series HD ▪ Characteristics

**Description**

- Flat-face quick release coupling
- Valve design: double shut-off
- Connection under pressure: not permissible

**Working Pressure**

1500 bar / 150 MPa / 2175 PSI

The indicated pressure ratings only apply to the coupling itself and depend on the connection type.

**Working Temperature**

-35° C ... +130° C / -31° F ... +266° F

**Material**

Steel

**Surface Finishing**

Zinc-Plating and Thick-Film-Passivation (Chrome III)

**Standard Seal Material(s)**

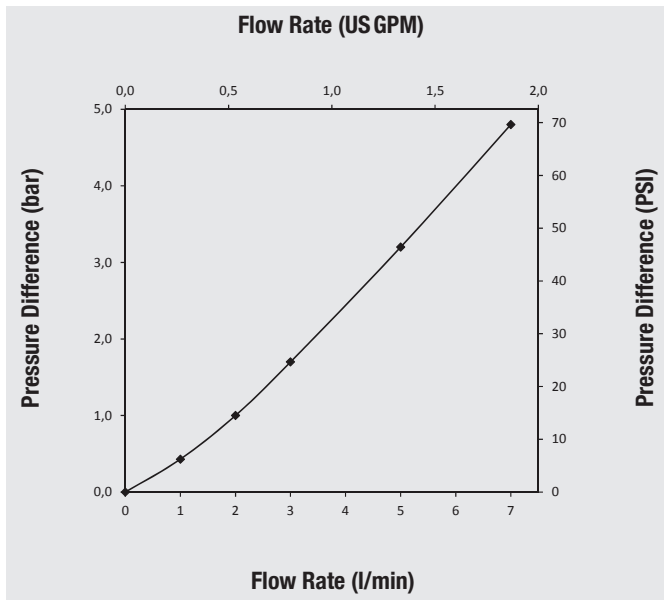
Special compound

Alternative seal materials are available on request.



### Series HD 06 ▪ BG 1 ▪ Nominal Size 6,3

HD



Please note: Unless otherwise stated, all flow characteristics have been determined with hydraulic oil with a kinematic viscosity of 36 mm<sup>2</sup>/s (36 cSt) and are only valid for components with non-reducing connections.





**Series HD 06 ▪ BG 1 ▪ Nominal Size 6,3**
**Working Pressure**

1500 bar / 150 MPa / 21756 PSI

**Burst Pressure**

3500 bar / 350 MPa / 50764 PSI (Female Body)

3500 bar / 350 MPa / 50764 PSI (Male Tip)

3500 bar / 350 MPa / 50764 PSI (Connected)

The indicated pressure ratings only apply to the coupling itself and depend on the connection type.

**Material**

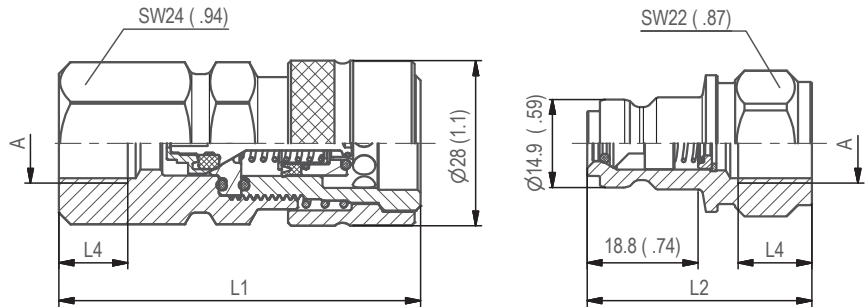
Steel

**Surface Finishing**

Zinc-Plating and Thick-Film-Passivation (Chrome III)

**Standard Seal Material(s)**

Special compound

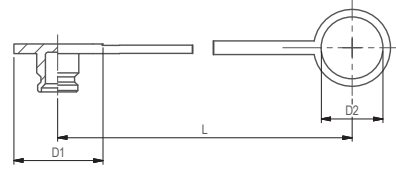
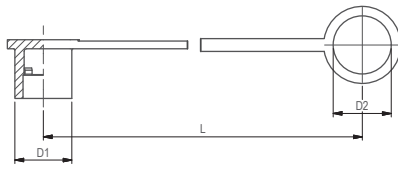


SW: Width across flats. All dimensions in mm (inch).

Port A	Dimensions (mm/in)				Female Body		Weight ( <sup>g</sup> /oz) ca. per pc.	Male Tip		Weight ( <sup>g</sup> /oz) ca. per pc.
	ØD2	L1	L2	L3	L4 min	VOSWINKEL Part Numbers STAUFF Ordering Codes		VOSWINKEL Part Numbers STAUFF Ordering Codes		
Female Thread according to DIN 3852 - ANSI B 1.20.3										
	G 1/4"	61,3	38,1		12	HD06-1-IGF04	196	HD06-2-IGF04	71	
		2.41	1.50		0.47	QRC-HD-06-F-G04-Y-W66I	431.20	QRC-HD-06-M-G04-Y-W66I	156.20	
	NPTF 1/4" -18	58,3	35,7			HD06-1-INF04	186	HD06-2-INF04	66	
		2.30	1.41			QRC-HD-06-F-NF04-Y-W66I	409.20	QRC-HD-06-M-NF04-Y-W66I	145.20	

**HD**


Series HD ▪ Dust Protection

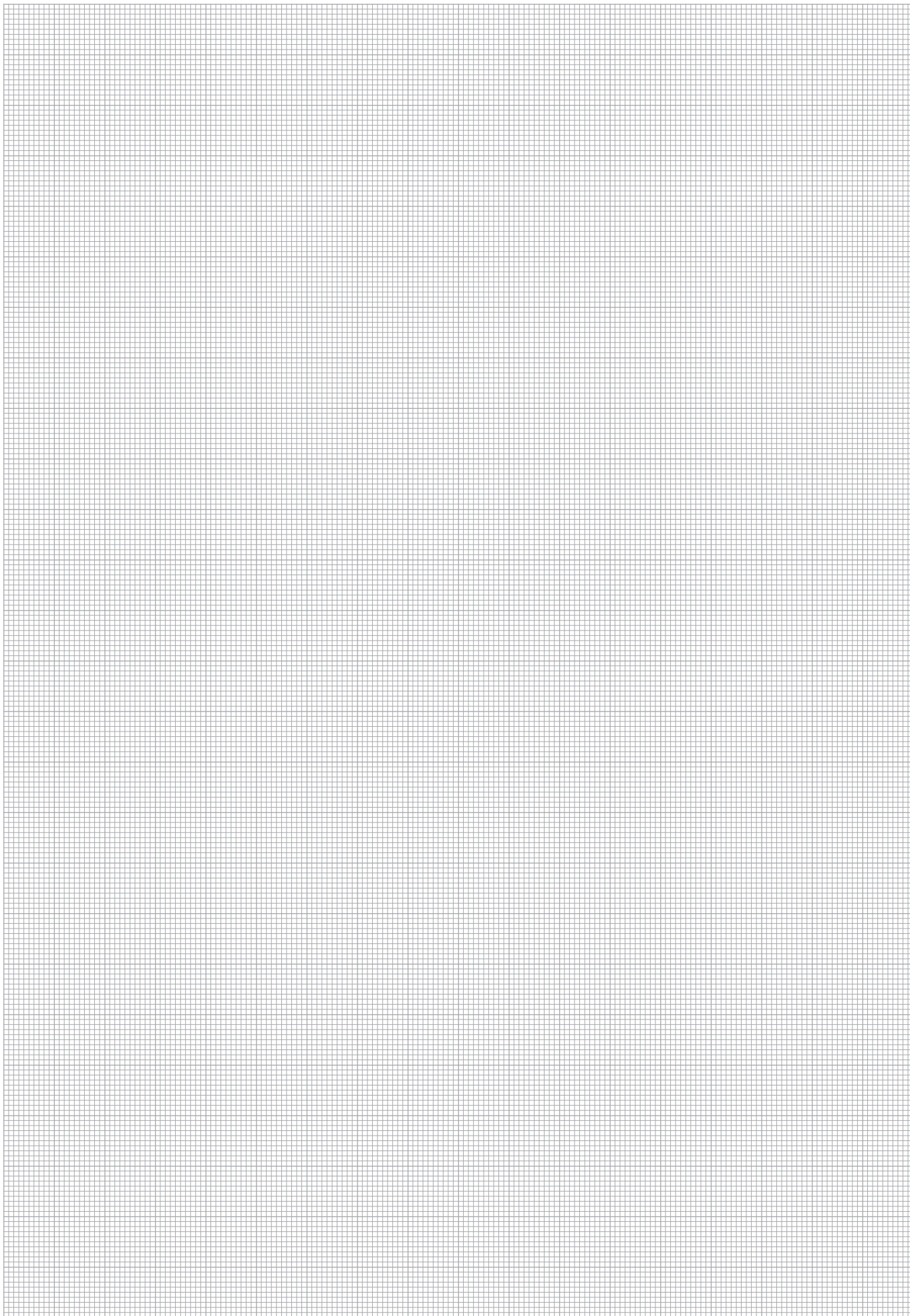


Dimensions (mm/in)			Material	Dust Cap for Male Tip	
D1	D2	L		VOSWINKEL Part Numbers	STAUFF Ordering Codes
29	22,5	110	Plastic (Colour: Black)	HD06-0-SW001	
1.14	.89	4.33		QRC-HD-06-DM-23-KI-BK	

Dimensions (mm/in)			Material	Dust Plug for Female Body	
D1	D2	L		VOSWINKEL Part Numbers	STAUFF Ordering Codes
29	20,5	110	Plastic (Colour: Black)	HD06-9-SW001	
1.14	.81	4.33		QRC-HD-06-DF-21-KI-BK	

HD





HD







Series MK ▪ Characteristics	154
Series MK 24 ▪ BG 2 ▪ Nominal Size 10	155
Series MK 74 ▪ BG 2 ▪ Nominal Size 10	156



**MK**



## Series MK - Characteristics

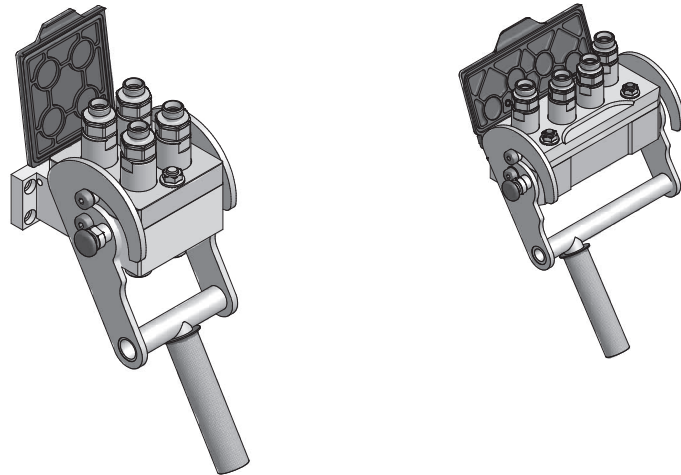
### Description

The multi-coupling has been created for connecting and disconnecting several hydraulic lines at the same time. This is done by an operating lever the guide crank of which is designed for a minimum of operating force.

The connection of the hydraulic lines is done with flat face couplings. Due to the special sealing it is possible to couple against trapped pressure on the male halves (max. 4x100 bar / 5802 PSI)

The main features of the multi coupling are:

- Safety against commutability of hydraulic lines
- Quick connecting
- Coupling against trapped pressure
- Optimally minimized leakage during coupling process



### Spare Parts

The following list shows the spare parts available for the line of QUICKVOS™ products. They are supplied in form of kits, including detailed removal and installation instructions:

Description	MK 24	MK 74
	VOSWINKEL Part Numbers	VOSWINKEL Part Numbers
	STAUFF Ordering Codes	STAUFF Ordering Codes
Operating lever kit	MU20-1-KIT001	MU70-1-KIT001
	QRC-MKQ-10/4-SP-OL-W3	QRC-MKR-10/4-SP-OL-W3
Safety lock kit	MU20-1-KIT002	MU20-1-KIT002
	QRC-MKQ-10/4-SP-SL-W3	QRC-MKQ-10/4-SP-SL-W3
Dust protection kit	MU20-1-KIT003	MU70-1-KIT004
	QRC-MKQ-10/4-SP-DP-K	QRC-MKR-10/4-SP-DP-K
Female coupling	EK08-1-XXXX*	EK08-1-XXXX*
	QRC-EK-10-F-XXX-BT-W3	QRC-EK-10-F-XXX-BT-W3
Centering bolt kit	MU20-2-KIT001	MU20-2-KIT001
	QRC-MKQ-10/4-SP-CB-W3	QRC-MKQ-10/4-SP-CB-W3
Guide screw kit	MU20-2-KIT002	MU20-2-KIT002
	QRC-MKQ-10/4-SP-GS-W4	QRC-MKQ-10/4-SP-GS-W4
Male coupling	EK08-2-XXXX*	EK08-2-XXXX*
	QRC-EK-10-M-XXX-BP-W3	QRC-EK-10-M-XXX-BP-W3
Seal kit (20 pcs.)	MU20-2-KIT003	MU20-2-KIT003
	QRC-EK-10-MSK-PU	QRC-EK-10-MSK-PU

MK





**Series MK 24 ▪ BG 2 ▪ Nominal Size 10**
**Working Pressure**

250 bar / 25 MPa / 3626 PSI (2 x 250 bar, 2 x 40 bar)

**Material**

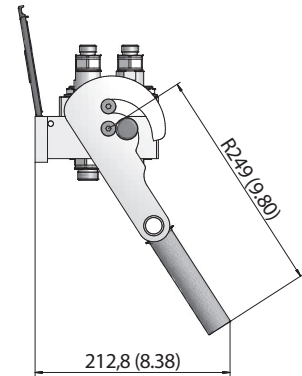
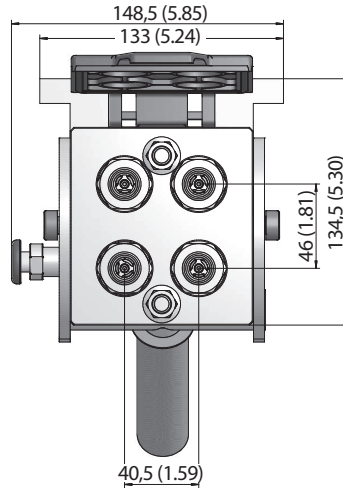
Steel

**Surface Finishing**

Zinc-Nickel

**Standard Seal Material(s)**

NBR (Buna-N®), PTFE, PU



SW: Width across flats. All dimensions in mm (inch).

Port A	Dimensions (mm/in)	Fixed half		Weight ( <sup>g</sup> /oz) ca.	Mobile half		Weight ( <sup>g</sup> /oz) ca.	Multi Coupling complete	
		VOSWINKEL Part Numbers	STAUFF Ordering Codes		VOSWINKEL Part Numbers	STAUFF Ordering Codes		VOSWINKEL Part Numbers	STAUFF Ordering Codes
Female Thread according to DIN 3852-2-A - ANSI B 1.20.3									
	G 3/8"		MK24-1-IGF06	5810	MK24-2-IGF06	2830	MK24-8-IGF06	8640	
			QRC-MKQ-10/4-FP-G06-BT-W3	12782.00	QRC-MKQ-10/4-MP-G06-BP-W3	6226.00	QRC-MKQ-10/4-CC-G06-S1-W3	19008.00	
	G 1/2"		MK24-1-IGF08	5810	MK24-2-IGF08	2830	MK24-8-IGF08	8640	
			QRC-MKQ-10/4-FP-G08-BT-W3	12782.00	QRC-MKQ-10/4-MP-G08-BP-W3	6226.00	QRC-MKQ-10/4-CC-G08-S1-W3	19008.00	
NPTF 1/2" -14		MK24-1-INF08	5810	MK24-2-INF08	2830	MK24-8-INF08	8640		
		QRC-MKQ-10/4-FP-NF08-BT-W3	12782.00	QRC-MKQ-10/4-MP-NF08-BP-W3	6226.00	QRC-MKQ-10/4-CC-NF08-S1-W3	19008.00		
Male Thread with 24° Conical Bore - Shape W according to DIN 3861									
	M16x1,5	10L	MK24-1-L1016	5570	MK24-2-L1016	2590	MK24-8-L1016	8160	
			QRC-MKQ-10/4-FP-10L-BT-W3	12254.00	QRC-MKQ-10/4-MP-10L-BP-W3	5698.00	QRC-MKQ-10/4-CC-10L-S1-W3	17952.00	
	M18x1,5	12L	MK24-1-L1218	5650	MK24-2-L1218	2590	MK24-8-L1218	8240	
			QRC-MKQ-10/4-FP-12L-BT-W3	12430.00	QRC-MKQ-10/4-MP-12L-BP-W3	5698.00	QRC-MKQ-10/4-CC-12L-S1-W3	18128.00	
	M22x1,5	15L	MK24-1-L1522	5650	MK24-2-L1522	2670	MK24-8-L1522	8320	
			QRC-MKQ-10/4-FP-15L-BT-W3	12430.00	QRC-MKQ-10/4-MP-15L-BP-W3	5874.00	QRC-MKQ-10/4-CC-15L-S1-W3	18304.00	
	M26x1,5	18L	MK24-1-L1826	5810	MK24-2-L1826	2670	MK24-8-L1826	8480	
			QRC-MKQ-10/4-FP-18L-BT-W3	12782.00	QRC-MKQ-10/4-MP-18L-BP-W3	5874.00	QRC-MKQ-10/4-CC-18L-S1-W3	18656.00	

**MK**


Series MK 74 ▪ BG 2 ▪ Nominal Size 10

Working Pressure

250 bar / 25 MPa / 3626 PSI (2 x 250 bar, 2 x 40 bar)

Material

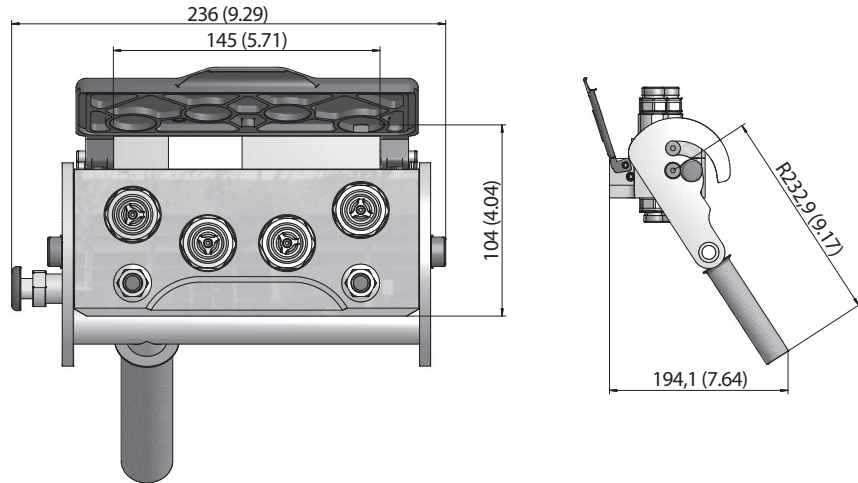
Steel

Surface Finishing

Zinc-Nickel

Standard Seal Material(s)

NBR (Buna-N®), PTFE, PU

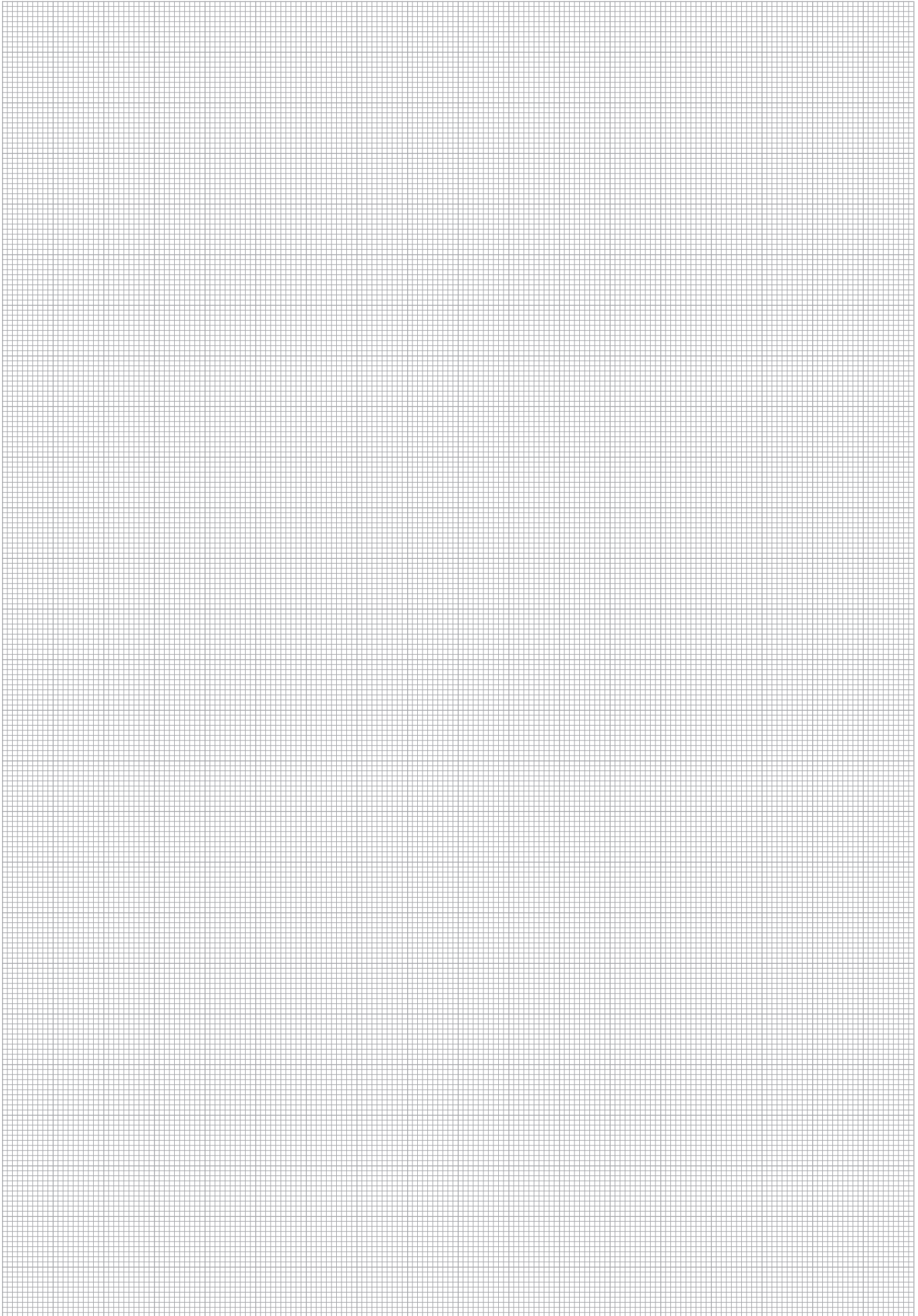


SW: Width across flats. All dimensions in mm (inch).

Port A	Dimensions (mm/in)	Fixed half		Weight ( <sup>g</sup> /oz) ca.	Mobile half		Weight ( <sup>g</sup> /oz) ca.	Multi Coupling complete	
		VOSWINKEL Part Numbers	STAUFF Ordering Codes		VOSWINKEL Part Numbers	STAUFF Ordering Codes		VOSWINKEL Part Numbers	STAUFF Ordering Codes
Female Thread according to DIN 3852-2-A - ANSI B 1.20.3									
	G3/8"		MK74-1-IGF06	6820	MK74-2-IGF06	3340	MK74-8-IGF06	10160	
			QRC-MKR-10/4-FP-G06-BT-W3	15004.00	QRC-MKR-10/4-MP-G06-BP-W3	7348.00	QRC-MKR-10/4-CC-G06-S1-W3	22352.00	
	G 1/2"		MK74-1-IGF08	6800	MK74-2-IGF08	3320	MK74-8-IGF08	10120	
			QRC-MKR-10/4-FP-G08-BT-W3	14960.00	QRC-MKR-10/4-MP-G08-BP-W3	7304.00	QRC-MKR-10/4-CC-G08-S1-W3	22264.00	
	NPTF 1/2" -14		MK74-1-INF08	6780	MK74-2-INF08	3300	MK74-8-INF08	10080	
			QRC-MKR-10/4-FP-NF08-BT-W3	14916.00	QRC-MKR-10/4-MP-NF08-BP-W3	7260.00	QRC-MKR-10/4-CC-NF08-S1-W3	22176.00	
Male Thread with 24° Conical Bore - Shape W according to DIN 3861									
	M16x1,5	10L	MK74-1-L1016	6690	MK74-2-L1016	3210	MK74-8-L1016	9900	
			QRC-MKR-10/4-FP-10L-BT-W3	14718.00	QRC-MKR-10/4-MP-10L-BP-W3	7062.00	QRC-MKR-10/4-CC-10L-S1-W3	21780.00	
	M18x1,5	12L	MK74-1-L1218	6690	MK74-2-L1218	3210	MK74-8-L1218	9900	
			QRC-MKR-10/4-FP-12L-BT-W3	14718.00	QRC-MKR-10/4-MP-12L-BP-W3	7062.00	QRC-MKR-10/4-CC-12L-S1-W3	21780.00	
	M22x1,5	15L	MK74-1-L1522	6720	MK74-2-L1522	3240	MK74-8-L1522	9960	
			QRC-MKR-10/4-FP-15L-BT-W3	14784.00	QRC-MKR-10/4-MP-15L-BP-W3	7128.00	QRC-MKR-10/4-CC-15L-S1-W3	21912.00	
	M26x1,5	18L	MK74-1-L1826	6740	MK74-2-L1826	3260	MK74-8-L1826	10000	
			QRC-MKR-10/4-FP-18L-BT-W3	14828.00	QRC-MKR-10/4-MP-18L-BP-W3	7172.00	QRC-MKR-10/4-CC-18L-S1-W3	22000.00	

MK





**MK**







Series HS ▪ Characteristics	160 - 161
Series HS 04 ▪ BG 1 ▪ Nominal Size 6,3	162
Series HS 08 ▪ BG 2 ▪ Nominal Size 10	163
Series HS 10 ▪ BG 3 ▪ Nominal Size 12,5	164
Series HS 10 ▪ BG 3 ▪ Nominal Size 12,5	165
Series HS 12 ▪ BG 6 ▪ Nominal Size 19	166
Series HS 20 ▪ BG 8 ▪ Nominal Size 25	167 - 168

Series HS 25 ▪ BG 12 ▪ Nominal Size 38	169
Series HS ▪ Special Designs	170
Series HS ▪ Dust Protection	171


**HS**


### Series HS ▪ Characteristics

**Description**

Screw-type couplings of the HS series are coupled by simply screwing the carrier and probe halves together until the thread contacts the limit stop. The coupling is designed to open both valves “en bloc” in this position. For this reason, and due to their rugged design, they are particularly well suited for heavy-duty service conditions in construction machinery. The range of operating pressures of this series is higher than that of the VOSWINKEL HP series.

Screw-type couplings of the HS series can be coupled on both sides under pressure of up to 50 / 725 PSI bar. The self-locking connection thread prevents any disengagement of the screw connection caused by vibrations. The screw sleeve of the probe, when correctly locked, must cover the black brake ring of the carrier.

**Working Pressure**

300 ... 450 bar / 30 ... 45 MPa / 4350 ... 6525 PSI

The indicated pressure ratings only apply to the coupling itself and depend on the connection type.

**Working Temperature**

-25° C ... +100° C / -13° F ... +212° F

**Material**

Steel

**Surface Finishing**

Zinc-Plating and Thick-Film-Passivation (Chrome III)

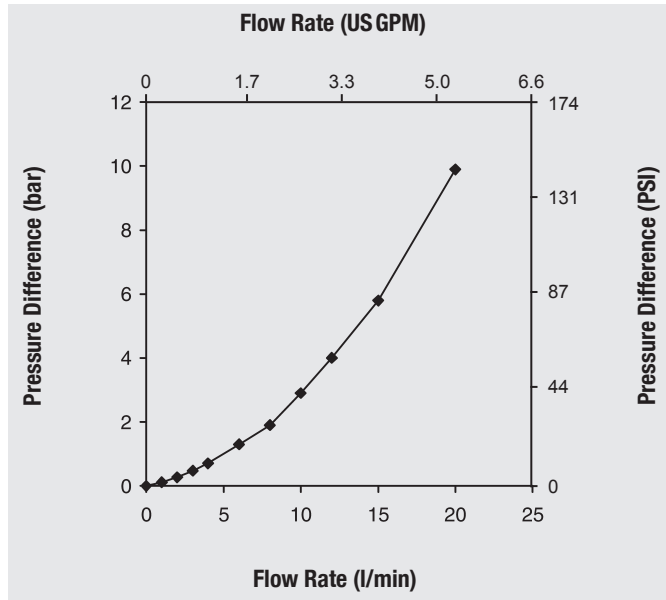
**Standard Seal Material(s)**

NBR (Buna-N®)

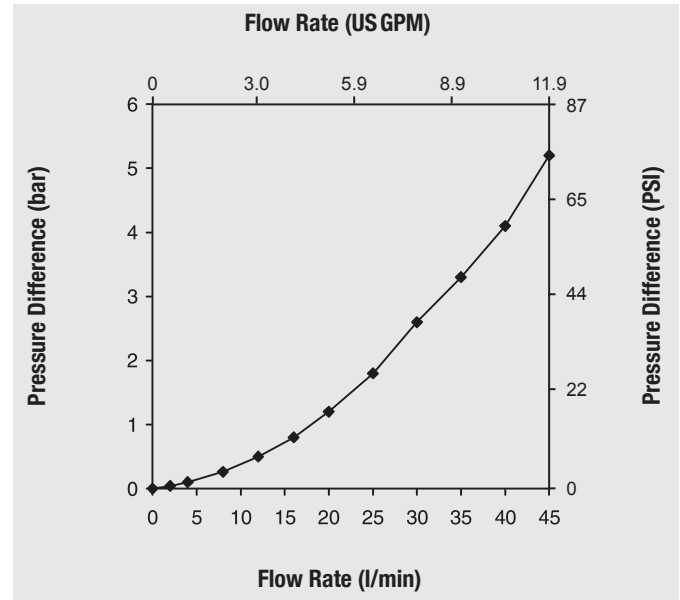
Alternative seal materials are available on request.



### Series HS 04 ▪ BG 1 ▪ Nominal Size 6,3



### Series HS 08 ▪ BG 2 ▪ Nominal Size 10



Please note: Unless otherwise stated, all flow characteristics have been determined with hydraulic oil with a kinematic viscosity of 36 mm²/s (36 cSt) and are only valid for components with non-reducing connections.

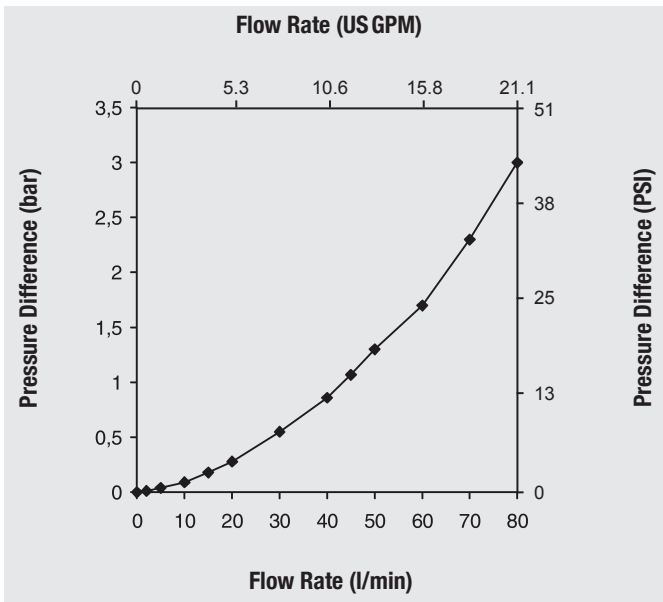
HS



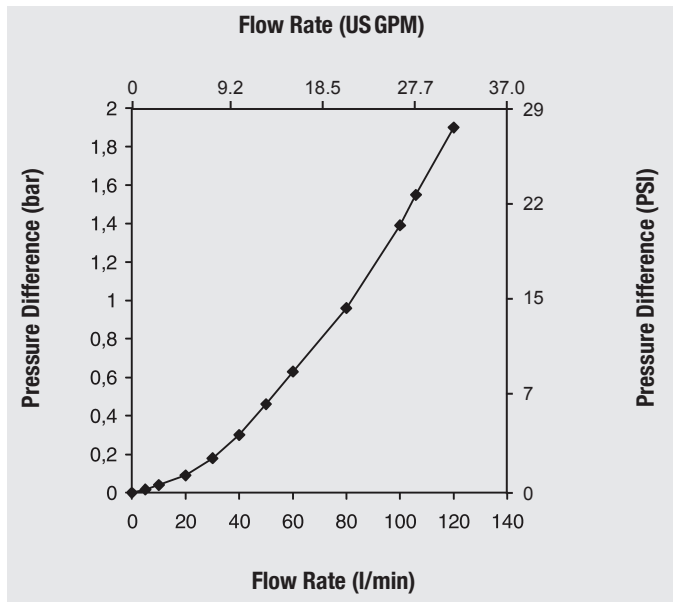


**HS**

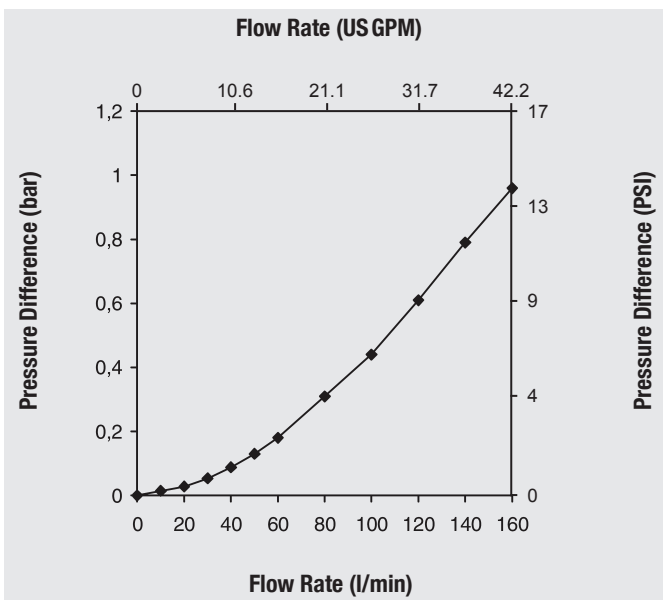
**Series HS 10 ▪ BG 3 ▪ Nominal Size 12,5**



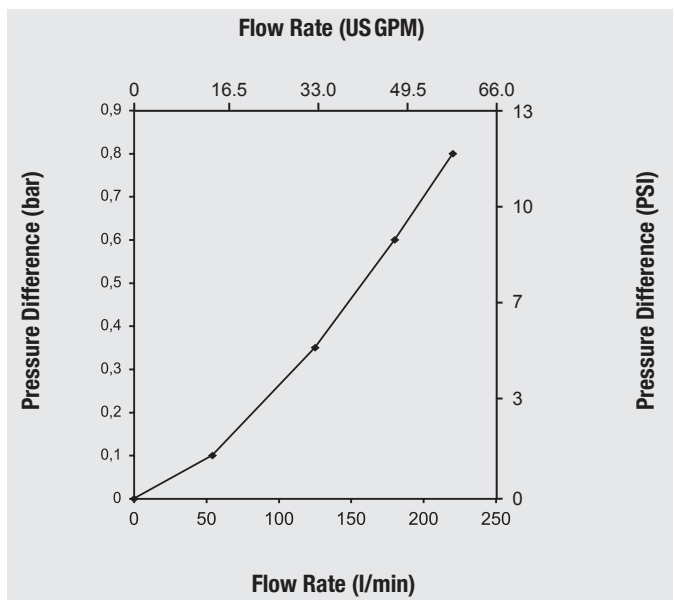
**Series HS 12 ▪ BG 6 ▪ Nominal Size 19**



**Series HS 20 ▪ BG 8 ▪ Nominal Size 25**



**Series HS 25 ▪ BG 12 ▪ Nominal Size 38**



Series HS 04 ▪ BG 1 ▪ Nominal Size 6,3

**Working Pressure**

450 bar / 45 MPa / 6527 PSI

**Burst Pressure**

1400 bar / 140 MPa / 20305 PSI (Female Body)

1400 bar / 140 MPa / 20305 PSI (Male Tip)

1800 bar / 180 MPa / 26107 PSI (Connected)

The indicated pressure ratings only apply to the coupling itself and depend on the connection type.

**Material**

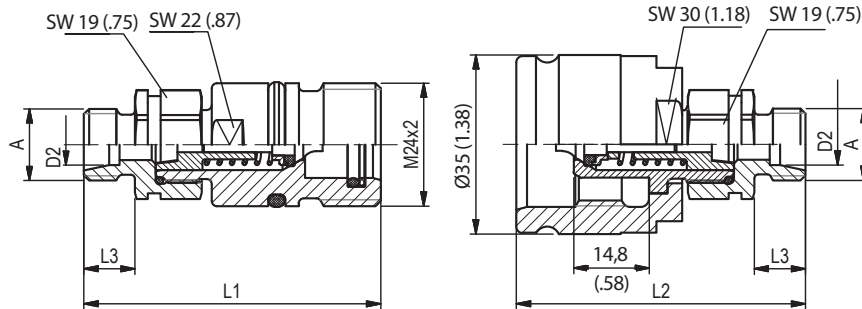
Steel

**Surface Finishing**

Zinc-Plating and Thick-Film-Passivation (Chrome III)

**Standard Seal Material(s)**

NBR (Buna-N®), PTFE



SW: Width across flats. All dimensions in mm (inch).

Port A	Dimensions (mm/in)				Female Body	Weight	Male Tip	Weight
	ØD2	L1	L2	L3	VOSWINKEL Part Numbers STAUFF Ordering Codes	( <sup>g</sup> /oz) ca. per pc.	VOSWINKEL Part Numbers STAUFF Ordering Codes	( <sup>g</sup> /oz) ca. per pc.
<b>Female Thread according to DIN 3852-2-A - ANSI B 1.20.3</b>								
 G 1/4"		60	59	13	HS04-1-IGF04	120	HS04-2-IGF04	182
		2.36	2.32		QRC-HS-06-F-G04-BT-W66	264.00	QRC-HS-06-M-G04-BT-W66	400.40
 NPTF 1/4" -18		60	59		HS04-1-INF04	120	HS04-2-INF04	190
		2.36	2.32		QRC-HS-06-F-NF04-BT-W66	264.00	QRC-HS-06-M-NF04-B-W66	418.00
<b>Male Thread with 24° Conical Bore - Shape W according to DIN 3861</b>								
 M14x1,5	8L	58	57	10	HS04-1-L0814	121	HS04-2-L0814	187
		2.28	2.24	.39	QRC-HS-06-F-08L-BT-W66	266.20	QRC-HS-06-M-08L-B-W66	411.40
<b>Male Thread with 24° Conical Bore - Bulkhead - Shape W according to DIN 3861</b>								
 M14x1,5	8L	73	72	25	HS04-1-N0814	137	HS04-2-N0814	203
		2.87	2.83	.98	QRC-HS-06-F-08LB-BT-W66	301.40	QRC-HS-06-M-08LB-B-W66	446.60

HS



**Series HS 08 ▪ BG 2 ▪ Nominal Size 10**
**Working Pressure**

450 bar / 45 MPa / 6527 PSI

**Burst Pressure**

1750bar / 175 MPa / 25382 PSI (Female Body)

1550 bar / 155 MPa / 22481 PSI (Male Tip)

1600 bar / 160 MPa / 23206 PSI (Connected)

The indicated pressure ratings only apply to the coupling itself and depend on the connection type.

**Material**

Steel

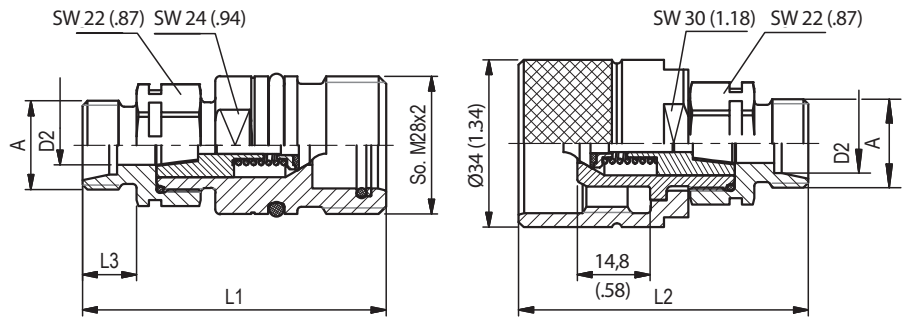
**Surface Finishing**

Zinc-Plating and Thick-Film-Passivation (Chrome III)

**Standard Seal Material(s)**

NBR (Buna-N®), PTFE

Dimensions acc. to ISO 14541.



SW: Width across flats. All dimensions in mm (inch).

Port A	Dimensions (mm/in)				Female Body	Weight	Male Tip	Weight		
	ØD2	L1	L2	L3	VOSWINKEL Part Numbers STAUFF Ordering Codes	( <sup>g</sup> /oz) ca. per pc.	VOSWINKEL Part Numbers STAUFF Ordering Codes	( <sup>g</sup> /oz) ca. per pc.		
<b>Male Thread according to DIN ISO 8434-1</b>										
	G 3/8"	65	62	12	HS08-1-AGF06	169	HS08-2-AGF06	181		
		2.56	2.44	.47	QRC-HS-10-F-B06-BT-W66	371.80	QRC-HS-10-M-B06-B-W66	398.20		
	UNF 3/4" -16	67	53	17	HS08-1-AUF08	160	HS08-2-AUF08	175		
		2.65	2.07	.65	QRC-HS-10-F-J12-BT-W66	352.00	QRC-HS-10-M-J12-BT-W66	385.00		
<b>Female Thread according to DIN 3852-2-A - ISO 9974-1 - ANSI B 1.20.3</b>										
	G1/4"	64	61		13	HS08-1-IGF04	180	HS08-2-IGF04	192	
		2.52	2.40		.51	QRC-HS-10-F-G04-BT-W66	396.00	QRC-HS-10-M-G04-B-W66	422.40	
	G3/8"	64	61		13	HS08-1-IGF06	172	HS08-2-IGF06	184	
		2.52	2.40		.51	QRC-HS-10-F-G06-BT-W66	378.40	QRC-HS-10-M-G06-B-W66	404.80	
	M16x1,5	64	61		13	HS08-1-IMF16	161	HS08-2-IMF16	174	
		2.52	2.40		.51	QRC-HS-10-F-M16-BT-W66	354.20	QRC-HS-10-M-M16-B-W66	382.80	
NPTF 3/8" -18	64	61			HS08-1-INF06	173	HS08-2-INF06	185		
	2.52	2.40			QRC-HS-10-F-NF06-BT-W66	380.60	QRC-HS-10-M-NF06-B-W66	407.00		
<b>Male Thread with 24° Conical Bore - Shape W according to DIN 3861</b>										
	M14x1,5	8L	61	58	10		HS08-1-L0814	144	HS08-2-L0814	158
			2.39	2.28	.39	QRC-HS-10-F-08L-BT-W66	316.80	QRC-HS-10-M-08L-B-W66	347.60	
	M16x1,5	10L	62	59	11		HS08-1-L1016	158	HS08-2-L1016	169
			2.43	2.32	.43	QRC-HS-10-F-10L-BT-W66	347.60	QRC-HS-10-M-10L-B-W66	371.80	
	M18x1,5	12L	62	59	11		HS08-1-L1218	160	HS08-2-L1218	172
			2.43	2.32	.43	QRC-HS-10-F-12L-BT-W66	352.00	QRC-HS-10-M-12L-B-W66	378.40	
	M16x1,5	8S	63	60	12		HS08-1-S0816	163	HS08-2-S0816	174
			2.47	2.36	.47	QRC-HS-10-F-08S-BT-W66	358.60	QRC-HS-10-M-08S-B-W66	382.80	
	M18x1,5	10S	63	60	12		HS08-1-S1018	164	HS08-2-S1018	176
			2.47	2.36	.47	QRC-HS-10-F-10S-BT-W66	360.80	QRC-HS-10-M-10S-B-W66	387.20	
M20x1,5	12S	63	60	12		HS08-1-S1220	154	HS08-2-S1220	179	
		2.47	2.36	.47	QRC-HS-10-F-12S-BT-W66	338.80	QRC-HS-10-M-12S-B-W66	393.80		
<b>Male Thread with 24° Conical Bore - Bulkhead - Shape W according to DIN 3861</b>										
	M14x1,5	8L	76	73	25		HS08-1-N0814	172	HS08-2-N0814	176
			2.98	2.87	.98	QRC-HS-10-F-08LB-BT-W66	378.40	QRC-HS-10-M-08LB-B-W66	387.20	
	M16x1,5	10L	77	74	26		HS08-1-N1016	187	HS08-2-N1016	170
			3.02	2.91	1.02	QRC-HS-10-F-10LB-BT-W66	411.40	QRC-HS-10-M-10LB-B-W66	374.00	
	M22x1,5	15L	78	75	27		HS08-1-N1522	231	HS08-2-N1522	175
			3.06	2.95	1.06	QRC-HS-10-F-15LB-BT-W66	508.20	QRC-HS-10-M-15LB-BT-W66	385.00	
	M16x1,5	08S	78	5	27		HS08-1-T0816	160	HS08-2-T0816	170
			3.06	.20	1.06	QRC-HS-10-F-08SB-BT-W66	352.00	QRC-HS-10-M-08SB-BT-W66	374.00	
	M18x1,5	10S	78	75	27		HS08-1-T1018	175	HS08-2-T1018	175
			3.06	2.95	1.06	QRC-HS-10-F-10SB-BT-W66	385.00	QRC-HS-10-M-10SB-B-W66	385.00	
M20x1,5	12S	78	75	27		HS08-1-T1220	310	HS08-2-T1220	171	
		3.06	2.95	1.06	QRC-HS-10-F-12SB-BT-W66	682.00	QRC-HS-10-M-12SB-B-W66	376.20		

**HS**


Series HS 10 ▪ BG 3 ▪ Nominal Size 12,5

**Working Pressure**

400 bar / 40 MPa / 5802 PSI

**Burst Pressure**

1200bar / 120 MPa / 17405 PSI (Female Body)  
 1200 bar / 120 MPa / 17405 PSI (Male Tip)  
 1400 bar / 140 MPa / 20305 PSI (Connected)

The indicated pressure ratings only apply to the coupling itself and depend on the connection type.

**Material**

Steel

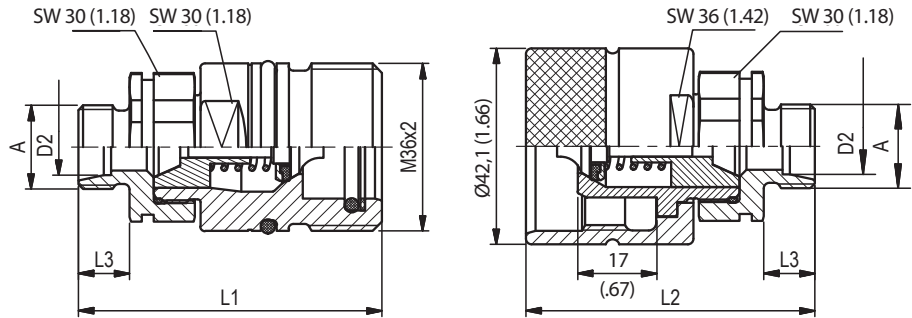
**Surface Finishing**

Zinc-Plating and Thick-Film-Passivation (Chrome III)

**Standard Seal Material(s)**

NBR (Buna-N®), PTFE

Dimensions acc. to ISO 14541.



SW: Width across flats. All dimensions in mm (inch).

Port A	Dimensions (mm/in)				Female Body	Weight	Male Tip	Weight
	ØD2	L1	L2	L3	VOSWINKEL Part Numbers STAUFF Ordering Codes	( <sup>g</sup> /oz) ca. per pc.	VOSWINKEL Part Numbers STAUFF Ordering Codes	( <sup>g</sup> /oz) ca. per pc.
<b>Male Thread according to DIN 3852-2 - ISO 9974-3</b>								
	G 3/8"	69	66	12	HS10-1-AGF06 QRC-HS-12-F-B06-BT-W66	287 631.40	HS10-2-AGF06 QRC-HS-12-M-B06-B-W66	267 587.40
	G 1/2"	69	66	12	HS10-1-AGF08 QRC-HS-12-F-B08-BT-W66	295 649.00	HS10-2-AGF08 QRC-HS-12-M-B08-B-W66	271 596.20
	M22x1,5	69	66	12	HS10-1-AMF22 QRC-HS-12-F-M22M-BT-W66	296 651.20	HS10-2-AMF22 QRC-HS-12-M-M22M-B-W66	262 576.40
		2.72	2.60	.47				
<b>Female Thread according to DIN 3852-2-A - ISO 6149-1 - ANSI B 1.20.3 - SAE J1926-1</b>								
	G3/8"	67	64	15	HS10-1-IGF06 QRC-HS-12-F-G06-BT-W66	308 677.60	HS10-2-IGF06 QRC-HS-12-M-G06-B-W66	288 633.60
	G1/2"	67	64	15	HS10-1-IGF08 QRC-HS-12-F-G08-BT-W66	319 701.80	HS10-2-IGF08 QRC-HS-12-M-G08-B-W66	299 657.80
	M18x1,5	67	64	15	HS10-1-IMF18 QRC-HS-12-F-M180R-BT-W66	302 664.40	HS10-2-IMF18 QRC-HS-12-M-M180R-B-W66	282 620.40
	M22x1,5	67	64	15	HS10-1-IMF22 QRC-HS-12-F-M220R-BT-W66	292 642.40	HS10-2-IMF22 QRC-HS-12-M-M220R-B-W66	266 585.20
	NPTF 1/2" -14	70	67		HS10-1-INF08 QRC-HS-12-F-NF08-BT-W66	296 651.20	HS10-2-INF08 QRC-HS-12-M-NF08-B-W66	274 602.80
	UNF 7/8" -14	73	70	18	HS10-1-IUF10 QRC-HS-12-F-U10-BT-W66	292 642.40	HS10-2-IUF10 QRC-HS-12-M-U10-B-W66	270 594.00
		2.76	2.64					
		2.87	2.76	.71				

HS



**Series HS 10 • BG 3 • Nominal Size 12,5**
**Working Pressure**

400 bar / 40 MPa / 5802 PSI

**Burst Pressure**

 1200bar / 120 MPa / 17405 PSI (Female Body)  
 1200 bar / 120 MPa / 17405 PSI (Male Tip)  
 1400 bar / 140 MPa / 20305 PSI (Connected)

The indicated pressure ratings only apply to the coupling itself and depend on the connection type.

**Material**

Steel

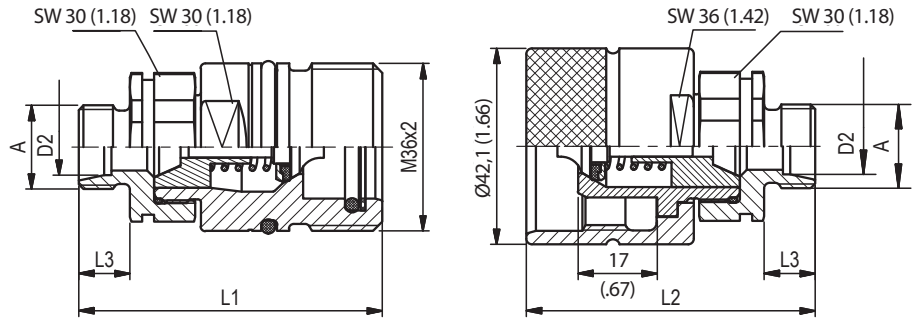
**Surface Finishing**

Zinc-Plating and Thick-Film-Passivation (Chrome III)

**Standard Seal Material(s)**

NBR (Buna-N®), PTFE

Dimensions acc. to ISO 14541.



SW: Width across flats. All dimensions in mm (inch).

	Port A	Dimensions ( <sup>mm</sup> / <sub>in</sub> )					Female Body		Weight ( <sup>g</sup> / <sub>oz</sub> ) ca. per pc.	Male Tip		Weight ( <sup>g</sup> / <sub>oz</sub> ) ca. per pc.
		ØD2	L1	L2	L3	L4	VOSWINKEL Part Numbers			VOSWINKEL Part Numbers		
							STAUFF Ordering Codes			STAUFF Ordering Codes		
<b>Male Thread with 24° Conical Bore - Shape W according to DIN 3861</b>												
	M14x1,5	8L	64	61	10		<b>HS10-1-L0814</b>	264	<b>HS10-2-L0814</b>	254		
			2.53	2.40	.39		<b>QRC-HS-12-F-08L-BT-W66</b>	580.80	<b>QRC-HS-12-M-08L-B-W66</b>	558.80		
	M16x1,5	10L	65	62	11		<b>HS10-1-L1016</b>	277	<b>HS10-2-L1016</b>	257		
			2.57	2.44	.43		<b>QRC-HS-12-F-10L-BT-W66</b>	609.40	<b>QRC-HS-12-M-10L-B-W66</b>	565.40		
	M18x1,5	12L	65	62	11		<b>HS10-1-L1218</b>	278	<b>HS10-2-L1218</b>	258		
			2.57	2.44	.43		<b>QRC-HS-12-F-12L-BT-W66</b>	611.60	<b>QRC-HS-12-M-12L-B-W66</b>	567.60		
	M22x1,5	15L	66	63	12		<b>HS10-1-L1522</b>	284	<b>HS10-2-L1522</b>	264		
			2.61	2.48	.47		<b>QRC-HS-12-F-15L-BT-W66</b>	624.80	<b>QRC-HS-12-M-15L-B-W66</b>	580.80		
	M26x1,5	18L	66	63	12		<b>HS10-1-L1826</b>	284	<b>HS10-2-L1826</b>	264		
			2.61	2.48	.47		<b>QRC-HS-12-F-18L-BT-W66</b>	624.80	<b>QRC-HS-12-M-18L-B-W66</b>	580.80		
	M18x1,5	10S	66	63	12		<b>HS10-1-S1018</b>	284	<b>HS10-2-S1018</b>	264		
			2.61	2.48	.47		<b>QRC-HS-12-F-10S-BT-W66</b>	624.80	<b>QRC-HS-12-M-10S-B-W66</b>	580.80		
	M20x1,5	12S	66	63	12		<b>HS10-1-S1220</b>	284	<b>HS10-2-S1220</b>	264		
			2.61	2.48	.47		<b>QRC-HS-12-F-12S-BT-W66</b>	624.80	<b>QRC-HS-12-M-12S-B-W66</b>	580.80		
M22x1,5	14S	68	65	14		<b>HS10-1-S1422</b>	292	<b>HS10-2-S1422</b>	272			
		2.69	2.56	.55		<b>QRC-HS-12-F-14S-BT-W66</b>	642.40	<b>QRC-HS-12-M-10S-B-W66</b>	598.40			
M24x1,5	16S	68	65	14		<b>HS10-1-S1624</b>	292	<b>HS10-2-S1624</b>	272			
		2.69	2.56	.55		<b>QRC-HS-12-F-16S-BT-W66</b>	642.40	<b>QRC-HS-12-M-16S-B-W66</b>	598.40			
M30x2	20S	70	67	16		<b>HS10-1-S2030</b>	284	<b>HS10-2-S2030*</b>	257			
		2.76	2.64	.63		<b>QRC-HS-12-F-20S-BT-W66</b>	624.80	<b>QRC-HS-12-M-20S-B-W66</b>	565.40			
<b>Male Thread with 24° Conical Bore - Bulkhead - Shape W according to DIN 3861</b>												
	M14x1,5	08L	80	77	26		<b>HS10-1-N0814</b>	286	<b>HS10-2-N0814</b>	262		
			3.16	3.03	1.02		<b>QRC-HS-12-F-08LB-BT-W66</b>	629.20	<b>QRC-HS-12-M-08LB-B-W66</b>	576.40		
	M16x1,5	10L	80	77	26		<b>HS10-1-N1016</b>	307	<b>HS10-2-N1016</b>	275		
			3.16	3.03	1.02		<b>QRC-HS-12-F-10LB-BT-W66</b>	675.40	<b>QRC-HS-12-M-10LB-B-W66</b>	605.00		
	M18x1,5	12L	84	81	30		<b>HS10-1-N1218</b>	306	<b>HS10-2-N1218</b>	268		
			3.31	3.19	1.18		<b>QRC-HS-12-F-12LB-BT-W66</b>	673.20	<b>QRC-HS-12-M-12LB-B-W66</b>	589.60		
	M22x1,5	15L	81	78	27		<b>HS10-1-N1522</b>	314	<b>HS10-2-N1522</b>	282		
			3.20	3.07	1.06		<b>QRC-HS-12-F-15LB-BT-W66</b>	690.80	<b>QRC-HS-12-M-15LB-B-W66</b>	620.40		
	M26x1,5	18L	81	78	27		<b>HS10-1-N1826</b>	366	<b>HS10-2-N1826</b>	346		
			3.20	3.07	1.06		<b>QRC-HS-12-F-18LB-BT-W66</b>	805.20	<b>QRC-HS-12-M-18LB-B-W66</b>	761.20		
	M18x1,5	10S	80	77	26		<b>HS10-1-T1018</b>	307	<b>HS10-2-T1018</b>	280		
			3.16	3.03	1.02		<b>QRC-HS-12-F-10SB-BT-W66</b>	675.40	<b>QRC-HS-12-M-10SB-B-W66</b>	616.00		
	M20x1,5	12S	81	78	27		<b>HS10-1-T1220</b>	312	<b>HS10-2-T1220</b>	288		
			3.20	3.07	1.06		<b>QRC-HS-12-F-12SB-BT-W66</b>	686.40	<b>QRC-HS-12-M-12SB-B-W66</b>	633.60		
M22x1,5	14S	83	80	29		<b>HS10-1-T1422</b>	328	<b>HS10-2-T1422</b>	304			
		3.28	3.15	1.14		<b>QRC-HS-12-F-14SB-BT-W66</b>	721.60	<b>QRC-HS-12-M-14SB-B-W66</b>	668.80			
M24x1,5	16S	83	80	29		<b>HS10-1-T1624</b>	342	<b>HS10-2-T1624</b>	316			
		3.28	3.15	1.14		<b>QRC-HS-12-F-16SB-BT-W66</b>	752.40	<b>QRC-HS-12-M-16SB-B-W66</b>	695.20			

**HS**


Series HS 12 ▪ BG 6 ▪ Nominal Size 19

Working Pressure

400 bar / 40 MPa / 5802 PSI

Burst Pressure

1600 bar / 160 MPa / 23206 PSI (Female Body)

1200 bar / 120 MPa / 17405 PSI (Male Tip)

1500 bar / 150 MPa / 21756 PSI (Connected)

The indicated pressure ratings only apply to the coupling itself and depend on the connection type.

Material

Steel

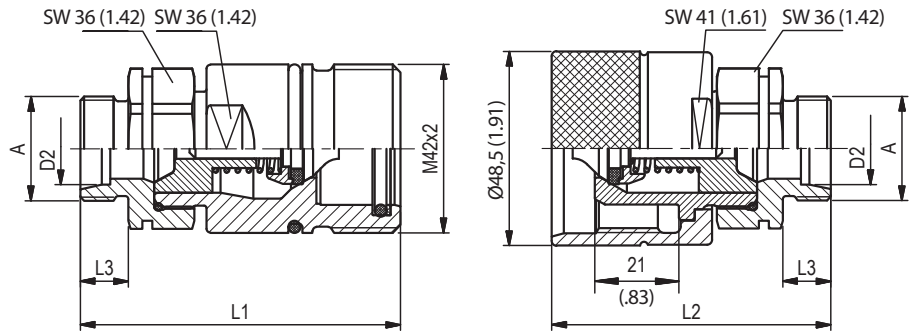
Surface Finishing

Zinc-Plating and Thick-Film-Passivation (Chrome III)

Standard Seal Material(s)

NBR (Buna-N®), PTFE

Dimensions acc. to ISO 14541.



SW: Width across flats. All dimensions in mm (inch).

Port A	Dimensions ( <sup>mm</sup> / <sub>in</sub> )				Female Body VOSWINKEL Part Numbers STAUFF Ordering Codes	Weight ( <sup>oz</sup> ) ca. per pc.	Male Tip VOSWINKEL Part Numbers STAUFF Ordering Codes	Weight ( <sup>oz</sup> ) ca. per pc.	
	ØD2	L1	L2	L3					
<b>Female Thread according to DIN 3852-2-A - ISO 9974-1 - ANSI B 1.20.3</b>									
	G1/2"	86	75	19	HS12-1-IGF08	526	HS12-2-IGF08	504	
		3.39	2.95	.75	QRC-HS-19-F-G08-BT-W66	1157.20	QRC-HS-19-M-G08-B-W66	1108.80	
	G3/4"	86	75	19	HS12-1-IGF12	636	HS12-2-IGF12	476	
		3.39	2.95	.75	QRC-HS-19-F-G12-BT-W66	1399.20	QRC-HS-19-M-G12-B-W66	1047.20	
	M22x1,5	86	75	19	HS12-1-IMF22	550	HS12-2-IMF22	490	
		3.39	2.95	.75	QRC-HS-19-F-M22-BT-W66	1210.00	QRC-HS-19-M-M22-B-W66	1078.00	
	NPTF 3/4" -14	86	75		HS12-1-INF12	550	HS12-2-INF12	476	
		3.39	2.95		QRC-HS-19-F-NF12-BT-W66	1210.00	QRC-HS-19-M-NF12-B-W66	1047.20	
<b>Male Thread with 24° Conical Bore - Shape W according to DIN 3861</b>									
	M18x1,5	12L	79	69	11	HS12-1-L1218	460	HS12-2-L1218	408
			3.11	2.72	.43	QRC-HS-19-F-12L-BT-W66	1012.00	QRC-HS-19-M-12L-B-W66	897.60
	M22x1,5	15L	80	70	12	HS12-1-L1522	466	HS12-2-L1522	413
			3.15	2.76	.47	QRC-HS-19-F-15L-BT-W66	1025.20	QRC-HS-19-M-15L-B-W66	908.60
	M26x1,5	18L	80	70	12	HS12-1-L1826	479	HS12-2-L1826	419
			3.15	2.76	.47	QRC-HS-19-F-18L-BT-W66	1053.80	QRC-HS-19-M-18L-B-W66	921.80
	M30x2	22L	82	72	14	HS12-1-L2230	492	HS12-2-L2230	431
			3.23	2.83	.55	QRC-HS-19-F-22L-BT-W66	1082.40	QRC-HS-19-M-22L-B-W66	948.20
	M24x1,5	16S	82	72	14	HS12-1-S1624	474	HS12-2-S1624	402
			3.23	2.83	.55	QRC-HS-19-F-16S-BT-W66	1042.80	QRC-HS-19-M-16S-B-W66	884.40
	M30x2	20S	84	74	16	HS12-1-S2030	500	HS12-2-S2030	440
			3.31	2.91	.63	QRC-HS-19-F-20S-BT-W66	1100.00	QRC-HS-19-M-20S-B-W66	968.00
<b>Male Thread with 24° Conical Bore - Bulkhead - Shape W according to DIN 3861</b>									
	M18x1,5	12L	94	84	26	HS12-1-N1218	488	HS12-2-N1218	422
			3.70	3.31	1.02	QRC-HS-19-F-12LB-BT-W66	1073.60	QRC-HS-19-M-12LB-B-W66	928.40
	M22x1,5	15L	95	85	27	HS12-1-N1522	510	HS12-2-N1522	438
			3.74	3.35	1.06	QRC-HS-19-F-15LB-BT-W66	1122.00	QRC-HS-19-M-15LB-B-W66	963.60
	M26x1,5	18L	95	85	27	HS12-1-N1826	557	HS12-2-N1826	475
			3.74	3.35	1.06	QRC-HS-19-F-18LB-BT-W66	1225.40	QRC-HS-19-M-18LB-B-W66	1045.00
	M30x2	22L	104	94	36	HS12-1-N2230	594	HS12-2-N2230	524
			4.09	3.70	1.42	QRC-HS-19-F-22LB-BT-W66	1306.80	QRC-HS-19-M-22LB-B-W66	1152.80
	M24x1,5	16S	97	87	29	HS12-1-T1624	534	HS12-2-T1624	462
			3.82	3.43	1.14	QRC-HS-19-F-16SB-BT-W66	1174.80	QRC-HS-19-M-16SB-B-W66	1016.40
	M30x2	20S	104	94	36	HS12-1-T2030	624	HS12-2-T2030	565
			4.09	3.70	1.42	QRC-HS-19-F-20SB-BT-W66	1372.80	QRC-HS-19-M-20SB-B-W66	1243.00

HS





**Series HS 20 • BG 8 • Nominal Size 25**
**Working Pressure**

300 bar / 30 MPa / 4351 PSI

**Burst Pressure**

1500 bar / 150 MPa / 21756 PSI (Female Body)

1100 bar / 110 MPa / 15954 PSI (Male Tip)

1180 bar / 118 MPa / 17114 PSI (Connected)

The indicated pressure ratings only apply to the coupling itself and depend on the connection type.

**Material**

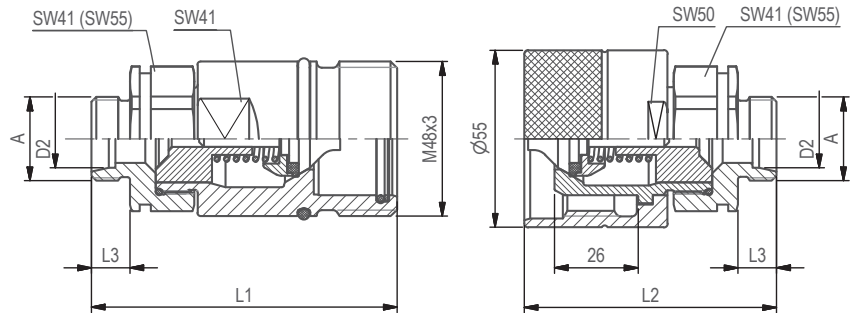
Steel

**Surface Finishing**

Zinc-Plating and Thick-Film-Passivation (Chrome III)

**Standard Seal Material(s)**

NBR (Buna-N®), PTFE



SW: Width across flats. All dimensions in mm (inch).

Port A	Dimensions (mm/in)				Female Body	Weight	Male Tip	Weight		
	ØD2	L1	L2	L3	VOSWINKEL Part Numbers STAUFF Ordering Codes	( <sup>g</sup> / <sub>oz</sub> ) ca. per pc.	VOSWINKEL Part Numbers STAUFF Ordering Codes	( <sup>g</sup> / <sub>oz</sub> ) ca. per pc.		
<b>Female Thread according to DIN 3852-2-A - ANSI B 1.20.3</b>										
	G3/4"	98	81		19	HS20-1-IGF12	781	HS20-2-IGF12	688	
		3.86	3.19		.75	QRC-HS-25-F-G12-BT-W66	1718.20	QRC-HS-25-M-G12-B-W66	1513.60	
	G1"	98	81		19	HS20-1-IGF16	738	HS20-2-IGF16	645	
		3.86	3.19		.75	QRC-HS-25-F-G16-BT-W66	1623.60	QRC-HS-25-M-G16-B-W66	1419.00	
NPTF 1" -11 1/2	98	81			HS20-1-INF16	780	HS20-2-INF16	601		
	3.86	3.19			QRC-HS-25-F-NF16-BT-W66	1716.00	QRC-HS-25-M-NF16-B-W66	1322.20		
<b>Male Thread with 24° Conical Bore - Shape W according to DIN 3861</b>										
	M26x1,5	18L	95	78	12	HS20-1-L1826	709	HS20-2-L1826	616	
			3.74	3.07	.47		QRC-HS-25-F-18L-BT-W66	1559.80	QRC-HS-25-M-18L-B-W66	1355.20
	M30x2	22L	97	80	14		HS20-1-L2230	715	HS20-2-L2230	622
			3.82	3.15	.55		QRC-HS-25-F-22L-BT-W66	1573.00	QRC-HS-25-M-22L-B-W66	1368.40
	M36x2	28L	97	80	14		HS20-1-L2836	720	HS20-2-L2836	672
			3.82	3.15	.55		QRC-HS-25-F-28L-BT-W66	1584.00	QRC-HS-25-M-28L-B-W66	1478.40
	M45x2	35L	99	82	16		HS20-1-L3545	805	HS20-2-L3545	713
			3.90	3.23	.63		QRC-HS-25-F-35L-BT-W66	1771.00	QRC-HS-25-M-35L-B-W66	1568.60
	M30x2	20S	99	82	16		HS20-1-S2030	731	HS20-2-S2030	639
			3.90	3.23	.63		QRC-HS-25-F-20S-BT-W66	1608.20	QRC-HS-25-M-20S-B-W66	1405.80
	M36x2	25S	101	84	18		HS20-1-S2536	753	HS20-2-S2536	660
			3.98	3.31	.71		QRC-HS-25-F-25S-BT-W66	1656.60	QRC-HS-25-M-25S-B-W66	1452.00
	M42x2	30S	103	86	20		HS20-1-S3042	871	HS20-2-S3042	650
			4.06	3.39	.79		QRC-HS-25-F-30S-BT-W66	1916.20	QRC-HS-25-M-30S-B-W66	1430.00
M52x2	38S	105	88	22		HS20-1-S3852	1080	HS20-2-S3852	901	
		4.13	3.46	.87		QRC-HS-25-F-38S-BT-W66	2376.00	QRC-HS-25-M-38S-B-W66	1982.20	
<b>Male Thread with 24° Conical Bore - Bulkhead - Shape W according to DIN 3861</b>										
	M22x1,5	15L	110	93	27		HS20-1-N1522	820	HS20-2-N1522	620
			4.33	3.66	1.06		QRC-HS-25-F-15LB-BT-W66	1804.00	QRC-HS-25-M-15LB-B-W66	1364.00
	M26x1,5	18L	115	98	32		HS20-1-N1826	766	HS20-2-N1826	638
			4.53	3.86	1.26		QRC-HS-25-F-18LB-BT-W66	1685.20	QRC-HS-25-M-18LB-B-W66	1403.60
	M30x2	22L	117	100	34		HS20-1-N2230	861	HS20-2-N2230	650
			4.61	3.94	1.34		QRC-HS-25-F-22LB-BT-W66	1894.20	QRC-HS-25-M-22LB-B-W66	1430.00
	M36x2	28L	117	100	34		HS20-1-N2836	899	HS20-2-N2836	690
			4.61	3.94	1.34		QRC-HS-25-F-28LB-BT-W66	1977.80	QRC-HS-25-M-28LB-B-W66	1518.00
	M30x2	20S	121	104	38		HS20-1-T2030	940	HS20-2-T2030	706
			4.76	4.09	1.50		QRC-HS-25-F-20SB-BT-W66	2068.00	QRC-HS-25-M-20SB-B-W66	1553.20
	M36x2	25S	121	104	38		HS20-1-T2536	947	HS20-2-T2536	740
			4.76	4.09	1.50		QRC-HS-25-F-25SB-BT-W66	2083.40	QRC-HS-25-M-25SB-B-W66	1628.00
	M42x2	30S	123	106	40		HS20-1-T3042	1040	HS20-2-T3042	850
			4.84	4.17	1.57		QRC-HS-25-F-30SB-BT-W66	2288.00	QRC-HS-25-M-30SB-B-W66	1870.00
	M52x2	38S	123	106	40		HS20-1-T3852	1404	HS20-2-T3852	850
			4.84	4.17	1.57		QRC-HS-25-F-38SB-BT-W66	3088.80	QRC-HS-25-M-38SB-B-W66	1870.00

**HS**


Series HS 20 ▪ BG 8 ▪ Nominal Size 25

**Working Pressure**

300 bar / 30 MPa / 4351 PSI

**Burst Pressure**

1500 bar / 150 MPa / 21756 PSI (Female Body)

1100 bar / 110 MPa / 15954 PSI (Male Tip)

1180 bar / 118 MPa / 17114 PSI (Connected)

The indicated pressure ratings only apply to the coupling itself and depend on the connection type.

**Material**

Steel

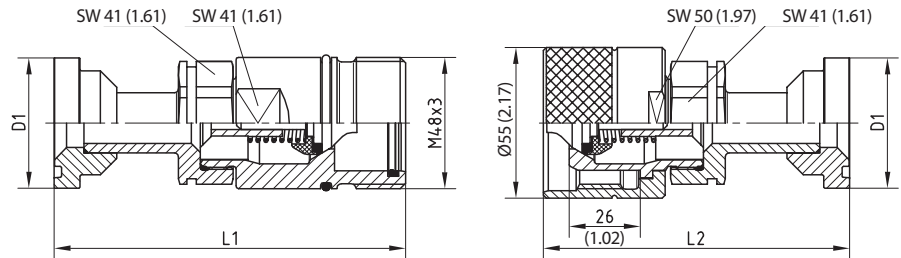
**Surface Finishing**

Zinc-Plating and Thick-Film-Passivation (Chrome III)

**Standard Seal Material(s)**

NBR (Buna-N®), PTFE

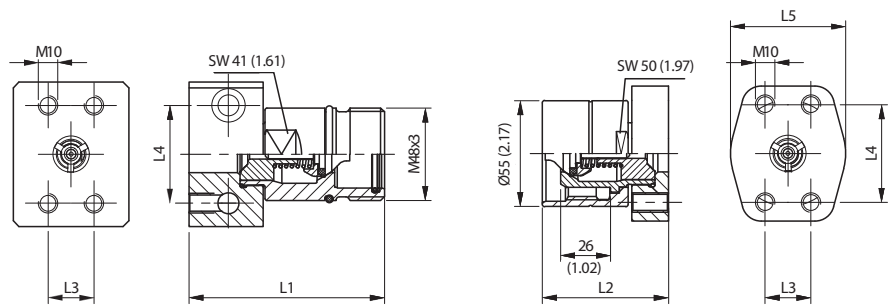
Dimensions acc. to ISO 14541.



SW: Width across flats. All dimensions in mm (inch).

Flange	Dimensions (mm/in)	Dimensions					Female Body		Weight ( <sup>g</sup> / <sub>oz</sub> ) ca.	Male Tip		Weight ( <sup>g</sup> / <sub>oz</sub> ) ca.
		ØD1	L1	L2	L3	L4	L5	VOSWINKEL Part Numbers		per pc.	VOSWINKEL Part Numbers	
3/4"	41,3	127	110				HS20-1-AFS12	852	HS20-2-AFS12	760		
		1.63	5.00				QRC-HS-25-F-FH612-BT-W66	1874.40	QRC-HS-25-M-FH612-B-W66	1672.00		
1"	47,6	129	112				HS20-1-AFS16	932	HS20-2-AFS16	839		
		1.87	5.08				QRC-HS-25-F-FH616-BT-W66	2050.40	QRC-HS-25-M-FH616-B-W66	1845.80		

HS



SW: Width across flats. All dimensions in mm (inch).

Flange	Dimensions (mm/in)	Dimensions					Female Body		Weight ( <sup>g</sup> / <sub>oz</sub> ) ca.	Male Tip		Weight ( <sup>g</sup> / <sub>oz</sub> ) ca.
		ØD2	L1	L2	L3	L4	L5	VOSWINKEL Part Numbers		per pc.	VOSWINKEL Part Numbers	
3/4"	4.02	102	65	23,8	50,8	60	HS20-1-X0010	1631	HS20-2-X0011	877		
		2.56	.94	2.00	2.36		QRC-HS-25-M-C612M-B-W66-700514	3588.20	QRC-HS-25-M-C612M-B-W66	1929.40		



**Series HS 25 ▪ BG 12 ▪ Nominal Size 38**
**Working Pressure**

300 bar / 30 MPa / 4351 PSI

**Burst Pressure**

1600 bar / 160 MPa / 23206 PSI (Female Body)

1200 bar / 120 MPa / 17405 PSI (Male Tip)

1800 bar / 180 MPa / 26107 PSI (Connected)

The indicated pressure ratings only apply to the coupling itself and depend on the connection type.

**Material**

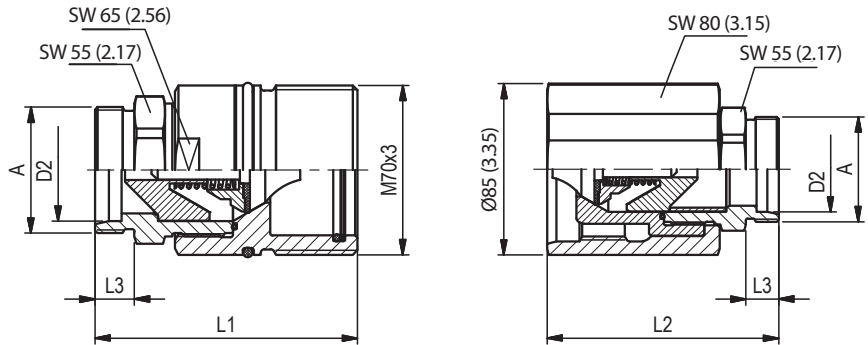
Steel

**Surface Finishing**

Zinc-Plating and Thick-Film-Passivation (Chrome III)

**Standard Seal Material(s)**

NBR (Buna-N®), PTFE



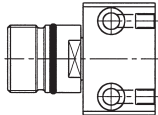
SW: Width across flats. All dimensions in mm (inch).

Port A	Dimensions (mm/in)					Female Body	Weight	Male Tip	Weight
	ØD2	L1	L2	L3	L4	VOSWINKEL Part Numbers STAUFF Ordering Codes	( <sup>g</sup> /oz) ca. per pc.	VOSWINKEL Part Numbers STAUFF Ordering Codes	( <sup>g</sup> /oz) ca. per pc.
<b>Female Thread according to DIN 3852-2-A / Female thread DIN 3852-2-A</b>									
	G 1" 1/4	125 4.92	131 5.16		29 1.14	HS25-1-IGF20 QRC-HS-38-F-G20-BT-W66	1907 4195.40	HS25-2-IGF20 QRC-HS-38-M-G20-B-W66	2766 6085.20
	G 1" 1/2	127 5.00	134 5.28		31 1.22	HS25-1-IGF24 QRC-HS-38-F-G24-BT-W66	1849 4067.80	HS25-2-IGF24 QRC-HS-38-M-G24-B-W66	2708 5957.60
<b>Male Thread with 24° Conical Bore - Shape W according to DIN 3861</b>									
	M45x2	35L	105 4.11	112 4.39	16 .63	HS25-1-L3545 QRC-HS-38-F-35L-BT-W66	1560 3432.00	HS25-2-L3545 QRC-HS-38-M-35L-B-W66	2090 4598.00
			M52x2	42L	105 4.11	112 4.39	16 .63	HS25-1-L4252 QRC-HS-38-F-42L-BT-W66	1620 3564.00
	M42x2	30S			112 4.41	119 4.69	20 .79	HS25-1-S3042 QRC-HS-38-F-30S-BT-W66	1572 3458.40
			M52x2	38S	112 4.41	118 4.65	22 .87	HS25-1-S3852 QRC-HS-38-F-38S-BT-W66	1624 3572.80
<b>Male Thread with 24° Conical Bore - Bulkhead - Shape W according to DIN 3861</b>									
	M45x2	35L	125 4.90	132 5.18	36 1.42	HS25-1-N3545 QRC-HS-38-F-35LB-BT-W66	1730 3806.00	HS25-2-N3545 QRC-HS-38-M-35LB-B-W66	2340 5148.00
			M52x2	42L	129 5.08	132 5.20	36 1.42	HS25-1-N4252 QRC-HS-38-F-42LB-BT-W66	1725 3795.00
	M42x2	30S			133 5.24	140 5.51	40 1.57	HS25-1-T3042 QRC-HS-38-F-30SB-BT-W66	1824 4012.80
			M52x2	38S	132 5.20	139 5.47	40 1.57	HS25-1-T3852 QRC-HS-38-F-38SB-BT-W66	1730 3806.00

**HS**

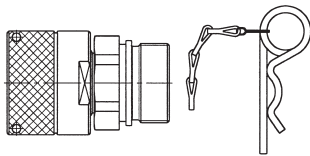

Series HS ▪ Special Designs

1



The mating flange shown on page 168 is also available for the screw-type carrier Type HS 10, size 1/2", 410 bar (6000 PSI).

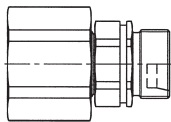
2



Screw-type probes of the types HS 20 and HS 25 are available with a safety clamp which prevents inadvertent release of the coupling connection even under strong hydraulic impulses or vibrations.

Also possible for Series RK/RH on request.

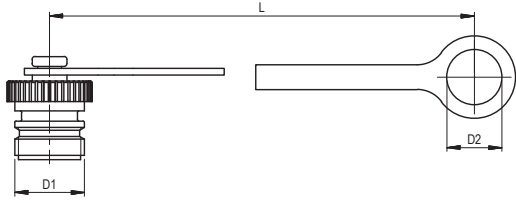
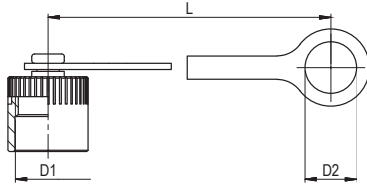
3



In special cases users may desire a screw-type sleeve which offers better accessibility for a spanner. For this purpose, a sleeve made from 55 mm (2.17 in) hexagonal material is available.

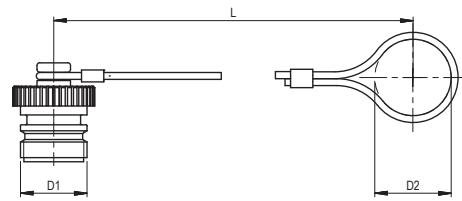
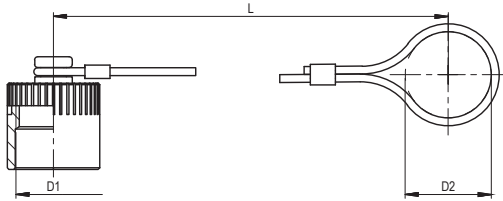
HS



**Series HS • Dust Protection**


Dimensions (mm/in)			Material	Dust Cap for Male Tip	
D1	D2	L		VOSWINKEL Part Numbers	STAUFF Ordering Codes
M24x2	19	180	Plastic (Colour: Red)	HS04-0-RT001	QRC-HS-06-DF-19-K-RD
	.75	7.09		QRC-HS-06-DF-19-K-RD	
M28x2	23	180	Plastic (Colour: Red)	HS08-0-RT001	QRC-HS-10-DF-23-K-RD
	.91	7.09		QRC-HS-10-DF-23-K-RD	
M36x2	29,5	185	Plastic (Colour: Red)	HS10-0-RT001	QRC-HS-12-DF-30-K-RD
	1.16	7.28		QRC-HS-12-DF-30-K-RD	
M42x2	36,5	190	Plastic (Colour: Red)	HS12-0-RT001	QRC-HS-19-DF-37-K-RD
	1.44	7.48		QRC-HS-19-DF-37-K-RD	
M48x3	41	190	Plastic (Colour: Red)	HS20-0-RT001	QRC-HS-25-DF-41-K-RD
	1.61	7.48		QRC-HS-25-DF-41-K-RD	
M70x3	55	201	Plastic (Colour: Red)	HS25-0-RT001	QRC-HS-38-DF-55-K-RD
	2.17	7.91		QRC-HS-38-DF-55-K-RD	

Dimensions (mm/in)			Material	Dust Plug for Female Body	
D1	D2	L		VOSWINKEL Part Numbers	STAUFF Ordering Codes
M24x2	19	180	Plastic (Colour: Red)	HS04-9-RT001	QRC-HS-06-DM-19-K-RD
	.75	7.09		QRC-HS-06-DM-19-K-RD	
M28x2	23	180	Plastic (Colour: Red)	HS08-9-RT001	QRC-HS-10-DM-23-K-RD
	.91	7.09		QRC-HS-10-DM-23-K-RD	
M36x2	29,5	185	Plastic (Colour: Red)	HS10-9-RT001	QRC-HS-12-DM-30-K-RD
	1.16	7.28		QRC-HS-12-DM-30-K-RD	
M42x2	36,5	190	Plastic (Colour: Red)	HS12-9-RT001	QRC-HS-19-DM-37-K-RD
	1.44	7.48		QRC-HS-19-DM-37-K-RD	
M48x3	41	190	Plastic (Colour: Red)	HS20-9-RT001	QRC-HS-25-DM-41-K-RD
	1.61	7.48		QRC-HS-25-DM-41-K-RD	
M70x3	55	201	Plastic (Colour: Red)	HS25-9-RT001	QRC-HS-38-DM-55-K-RD
	2.17	7.91		QRC-HS-38-DM-55-K-RD	

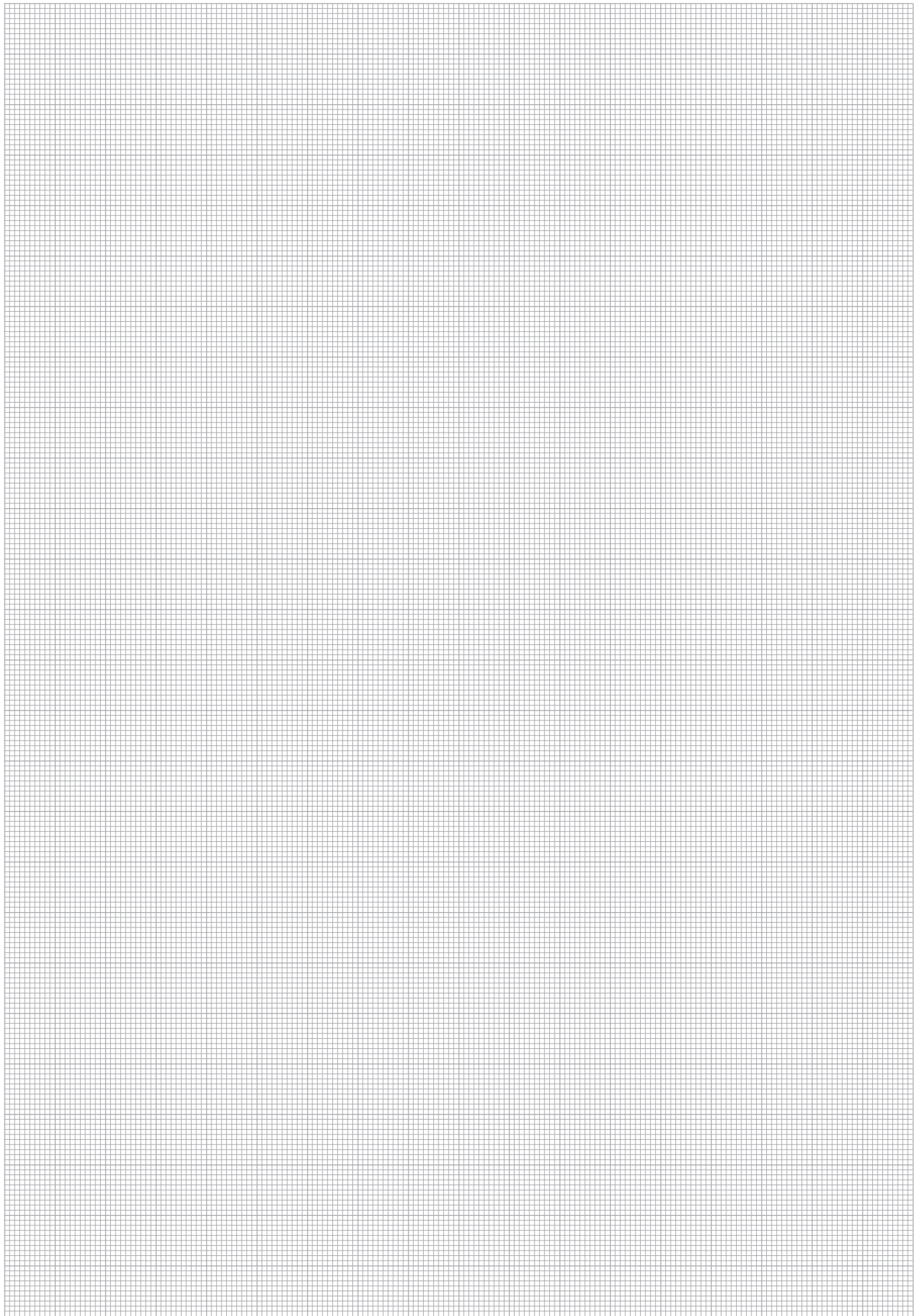


Dimensions (mm/in)			Material	Dust Cap for Male Tip	
D1	D2	L		VOSWINKEL Part Numbers	STAUFF Ordering Codes
M24x2			Aluminium with steel cable	HS04-0-SI001	QRC-HS-06-DF-19-W89-SI
				QRC-HS-06-DF-19-W89-SI	
M28x2			Aluminium with steel cable	HS08-0-SI001	QRC-HS-10-DF-23-W89-SI
				QRC-HS-10-DF-23-W89-SI	
M36x2			Aluminium with steel cable	HS10-0-SI001	QRC-HS-12-DF-30-W89-SI
				QRC-HS-12-DF-30-W89-SI	
M42x2			Aluminium with steel cable	HS12-0-SI001	QRC-HS-19-DF-37-W89-SI
				QRC-HS-19-DF-37-W89-SI	
M48x3			Aluminium with steel cable	HS20-0-SI001	QRC-HS-25-DF-41-W89-SI
				QRC-HS-25-DF-41-W89-SI	
M70x3			Aluminium with steel cable	HS25-0-SI001	QRC-HS-38-DF-55-W89-SI
				QRC-HS-38-DF-55-W89-SI	

Dimensions (mm/in)			Material	Dust Plug for Female Body	
D1	D2	L		VOSWINKEL Part Numbers	STAUFF Ordering Codes
M24x2			Aluminium with steel cable	HS04-9-SI001	QRC-HS-06-DM-19-W89-SI
				QRC-HS-06-DM-19-W89-SI	
M28x2			Aluminium with steel cable	HS08-9-SI001	QRC-HS-10-DM-23-W89-SI
				QRC-HS-10-DM-23-W89-SI	
M36x2			Aluminium with steel cable	HS10-9-SI001	QRC-HS-12-DM-30-W89-SI
				QRC-HS-12-DM-30-W89-SI	
M42x2			Aluminium with steel cable	HS12-9-SI001	QRC-HS-19-DM-37-W89-SI
				QRC-HS-19-DM-37-W89-SI	
M48x3			Aluminium with steel cable	HS20-9-SI001	QRC-HS-25-DM-41-W89-SI
				QRC-HS-25-DM-41-W89-SI	
M70x3			Aluminium with steel cable	HS25-9-SI001	QRC-HS-38-DM-55-W89-SI
				QRC-HS-38-DM-55-W89-SI	

In addition to the standard colours as stated above, plastic dust caps are also available in blue, green, yellow and black. Please use the VOSWINKEL codes BL, GN, GE and SW respectively instead of RT. Please use the STAUFF codes BU, GN, YE and BK respectively instead of RD.

**HS**

HS





Series HS-VA ▪ Characteristics	174 - 175
Series HS 06-VA ▪ BG 1 ▪ Nominal Size 6,3	176
Series HS 10-VA ▪ BG 2 ▪ Nominal Size 10	177
Series HS 12-VA ▪ BG 3 ▪ Nominal Size 12,5	178
Series HS 19-VA ▪ BG 6 ▪ Nominal Size 19	179
Series HS 25-VA ▪ BG 8 ▪ Nominal Size 25	180
Series HS 38-VA ▪ BG 12 ▪ Nominal Size 38	181

Series HS-VA ▪ Dust Protection	182
--------------------------------	-----


**HS-VA**


### Series HS-VA ▪ Characteristics

**Description**

- Screw-to-connect coupling
- Dimensions according to ISO 14541
- Valve design: double shut-off
- Connection under pressure: permissible (both male or female side)

**Working Pressure**

100 ... 300 bar / 10 ... 30 MPa / 1450 ... 4350 PSI

The indicated pressure ratings only apply to the coupling itself and depend on the connection type.

**Working Temperature**

-25° C ... +200° C / -13° F ... +392° F

**Material**

Stainless Steel V4A (AISI 316)

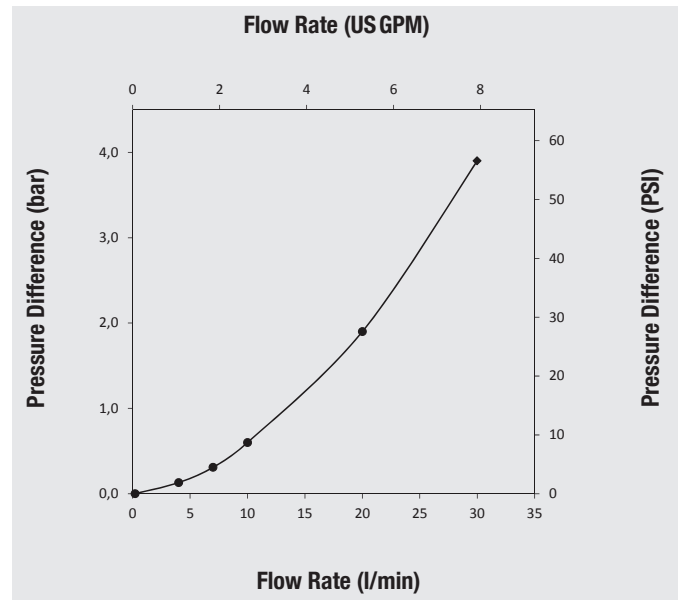
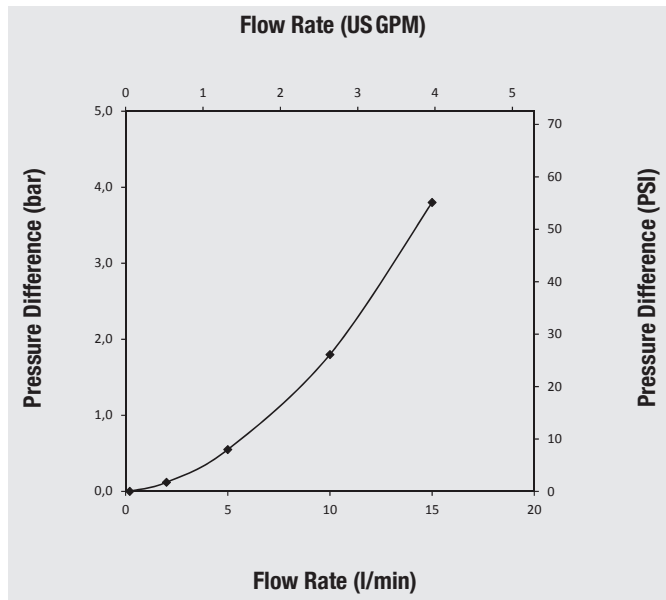
**Standard Seal Material(s)**

FKM (Viton®)



### Series HS 06-VA ▪ BG 1 ▪ Nominal Size 6,3

### Series HS 10-VA ▪ BG 2 ▪ Nominal Size 10

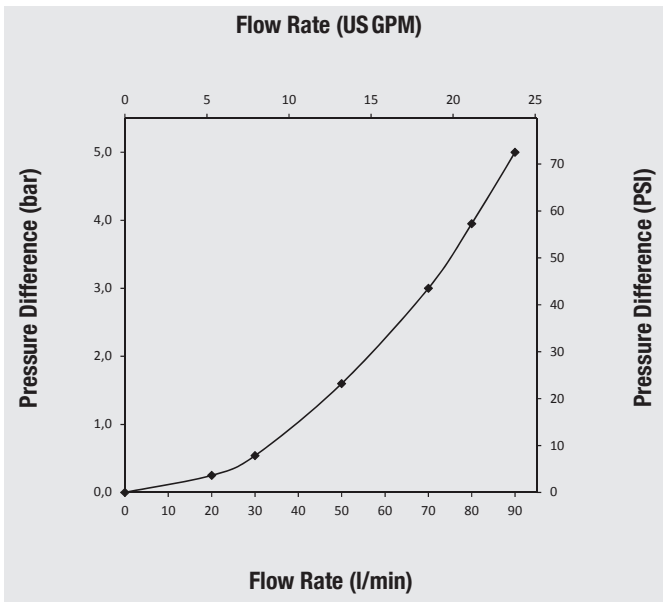


Please note: Unless otherwise stated, all flow characteristics have been determined with hydraulic oil with a kinematic viscosity of 36 mm<sup>2</sup>/s (36 cSt) and are only valid for components with non-reducing connections.

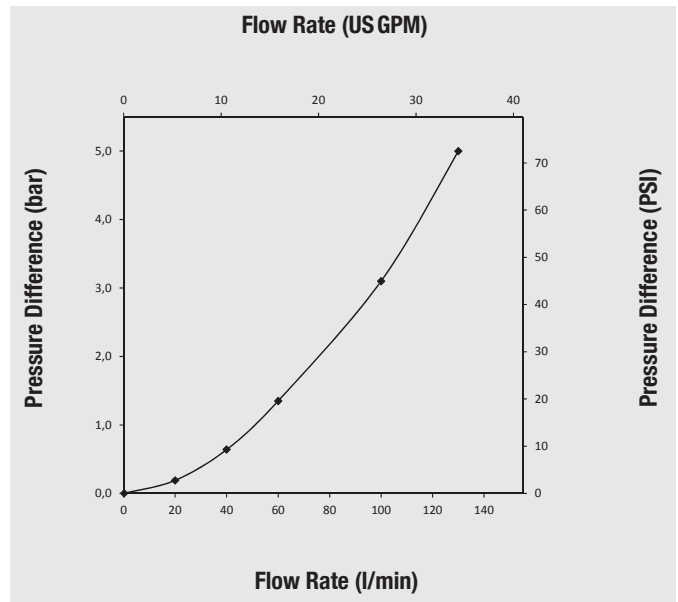
HS-VA



**Series HS 12-VA ▪ BG 3 ▪ Nominal Size 12,5**

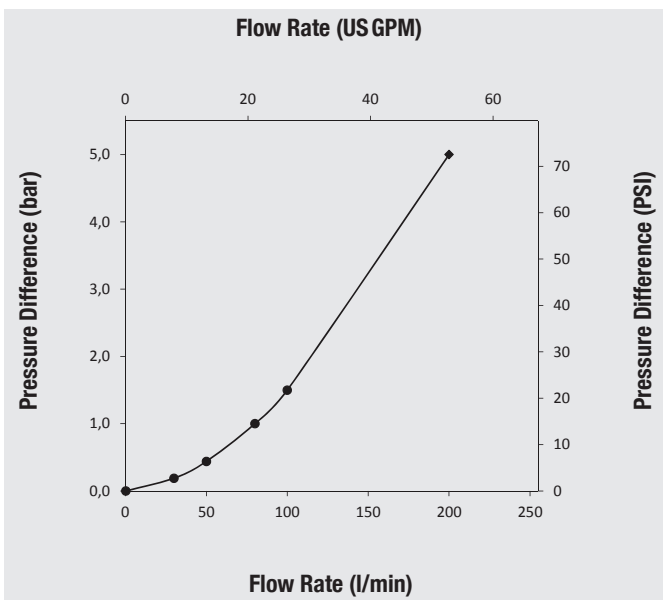


**Series HS 19-VA ▪ BG 6 ▪ Nominal Size 19**

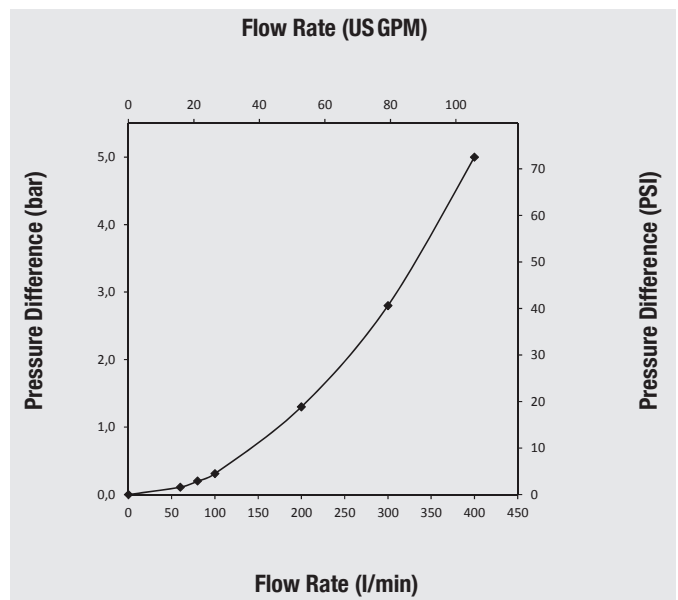


**HS-VA**

**Series HS 25-VA ▪ BG 8 ▪ Nominal Size 25**



**Series HS 38-VA ▪ BG 12 ▪ Nominal Size 38**



**Series HS 06-VA ▪ BG 1 ▪ Nominal Size 6,3**

**Working Pressure**

300 bar / 30 MPa / 4351 PSI

**Burst Pressure**

1200 bar / 120 MPa / 17405 PSI (Female Body)

1200 bar / 120 MPa / 17405 PSI (Male Tip)

1200 bar / 120 MPa / 17405 PSI (Connected)

The indicated pressure ratings only apply to the coupling itself and depend on the connection type.

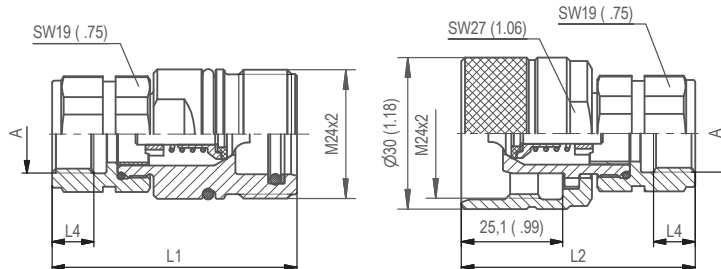
**Material**

Stainless Steel V4A (AISI 316)

**Standard Seal Material(s)**

FKM (Viton®)

Dimensions acc. to ISO 14541.



SW: Width across flats. All dimensions in mm (inch). Drawing similar series HS 12-VA.

Port A	Dimensions ( <sup>mm</sup> / <sub>in</sub> )				Female Body		Weight	Male Tip		Weight
	ØD2	L1	L2	L3	L4 min	VOSWINKEL Part Numbers	( <sup>g</sup> / <sub>oz</sub> ) ca.	VOSWINKEL Part Numbers	( <sup>g</sup> / <sub>oz</sub> ) ca.	
Female Thread according to DIN 3852						STAUFF Ordering Codes	per pc.	STAUFF Ordering Codes	per pc.	
	G 1/4"	59,1	58		12	HS06-1-IGF04-VA	122	HS06-2-IGF04-VA	130	
		2.33	2.28		0.47	QRC-HS-06-F-G04-VT-W5I	268.40	QRC-HS-06-M-G04-V-W5I	286.00	



**Series HS 10-VA ▪ BG 2 ▪ Nominal Size 10**
**Working Pressure**

250 bar / 25 MPa / 3626 PSI

**Burst Pressure**

1400 bar / 140 MPa / 20306 PSI (Female Body)

1000 bar / 100 MPa / 14504 PSI (Male Tip)

1500 bar / 150 MPa / 21756 PSI (Connected)

The indicated pressure ratings only apply to the coupling itself and depend on the connection type.

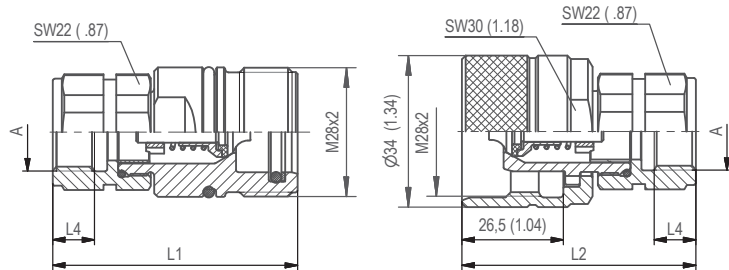
**Material**

Stainless Steel V4A (AISI 316)

**Standard Seal Material(s)**

FKM (Viton®)

Dimensions acc. to ISO 14541.



SW: Width across flats. All dimensions in mm (inch). Drawing similar series HS 12-VA.

Port A	Dimensions (mm/in)				Female Body		Weight	Male Tip		Weight
	ØD2	L1	L2	L3	L4 min	VOSWINKEL Part Numbers	( <sup>g</sup> / <sub>oz</sub> ) ca.	VOSWINKEL Part Numbers	( <sup>g</sup> / <sub>oz</sub> ) ca.	
Female Thread according to DIN 3852						STAUFF Ordering Codes	per pc.	STAUFF Ordering Codes	per pc.	
	G 3/8"	64,5	62		12	HS10-1-IGF06-VA	163	HS10-2-IGF06-VA	174	
		2.54	2.44		0.47	QRC-HS-10-F-G06-VT-W5I	358.60	QRC-HS-10-M-G06-V-W5I	382.80	

**HS-VA**


**Series HS 12-VA ▪ BG 3 ▪ Nominal Size 12,5**

**Working Pressure**

250 bar / 25 MPa / 3626 PSI

**Burst Pressure**

1800 bar / 180 MPa / 26107 PSI (Female Body)

1100 bar / 110 MPa / 15954 PSI (Male Tip)

1800 bar / 180 MPa / 26107 PSI (Connected)

The indicated pressure ratings only apply to the coupling itself and depend on the connection type.

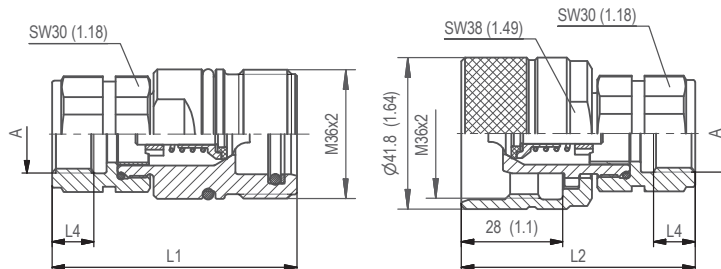
**Material**

Stainless Steel V4A (AISI 316)

**Standard Seal Material(s)**

FKM (Viton®)

Dimensions acc. to ISO 14541.



SW: Width across flats. All dimensions in mm (inch).

Port A	Dimensions ( <sup>mm</sup> / <sub>in</sub> )				Female Body		Weight	Male Tip		Weight
	ØD2	L1	L2	L3	L4 min	VOSWINKEL Part Numbers	( <sup>g</sup> / <sub>oz</sub> ) ca.	VOSWINKEL Part Numbers	( <sup>g</sup> / <sub>oz</sub> ) ca.	
Female Thread according to DIN 3852						STAUFF Ordering Codes	per pc.	STAUFF Ordering Codes	per pc.	
	G 3/8"	67	63		12	HS12-1-IGF06-VA	331	HS12-2-IGF06-VA	305	
		2.64	2.48		0.47	QRC-HS-12-F-G06-VT-W5I	728.20	QRC-HS-12-M-G06-V-W5I	671.00	
	G 1/2"	67	63		12	HS12-1-IGF08-VA	312	HS12-2-IGF08-VA	281	
		2.64	2.48		0.47	QRC-HS-12-F-G08-VT-W5I	686.40	QRC-HS-12-M-G08-V-W5I	618.20	





**Series HS 19-VA ▪ BG 6 ▪ Nominal Size 19**
**Working Pressure**

150 bar / 15 MPa / 2176 PSI

**Burst Pressure**

700 bar / 70 MPa / 10153 PSI (Female Body)

600 bar / 60 MPa / 8702 PSI (Male Tip)

1700 bar / 170 MPa / 24657 PSI (Connected)

The indicated pressure ratings only apply to the coupling itself and depend on the connection type.

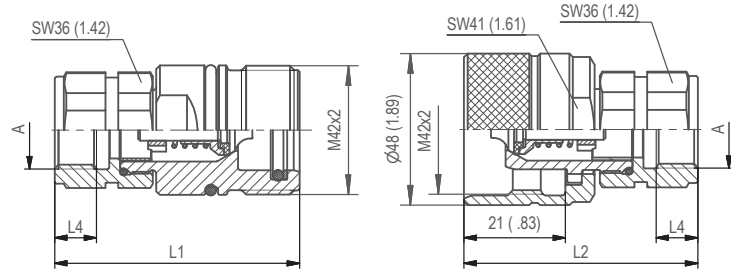
**Material**

Stainless Steel V4A (AISI 316)

**Standard Seal Material(s)**

FKM (Viton®)

Dimensions acc. to ISO 14541.



SW: Width across flats. All dimensions in mm (inch). Drawing similar series HS 12-VA.

Port A	Dimensions (mm/in)	Female Body				Weight	Male Tip	Weight	
		ØD2	L1	L2	L3	L4 min	VOSWINKEL Part Numbers	( <sup>g</sup> / <sub>oz</sub> ) ca.	VOSWINKEL Part Numbers
						STAUFF Ordering Codes	per pc.	STAUFF Ordering Codes	per pc.
Female Thread according to DIN 3852									
	G 3/4"	82	75		16	HS19-1-IGF12-VA	511	HS19-2-IGF12-VA	441
		3.23	2.95		0.63	QRC-HS-19-F-G12-VT-W5I	1124.20	QRC-HS-19-M-G12-V-W5I	970.20

**HS-VA**


**Series HS 25-VA ▪ BG 8 ▪ Nominal Size 25**

**Working Pressure**

150 bar / 15 MPa / 2176 PSI

**Burst Pressure**

600 bar / 60 MPa / 8702 PSI (Female Body)

600 bar / 60 MPa / 8702 PSI (Male Tip)

1200 bar / 120 MPa / 17405 PSI (Connected)

The indicated pressure ratings only apply to the coupling itself and depend on the connection type.

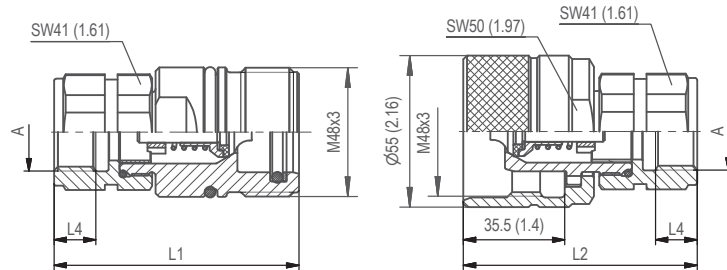
**Material**

Stainless Steel V4A (AISI 316)

**Standard Seal Material(s)**

FKM (Viton®)

Dimensions acc. to ISO 14541.



SW: Width across flats. All dimensions in mm (inch). Drawing similar series HS 12-VA.

Port A	Dimensions ( <sup>mm</sup> / <sub>in</sub> )				Female Body		Weight	Male Tip		Weight
	ØD2	L1	L2	L3	L4 min	VOSWINKEL Part Numbers	( <sup>g</sup> / <sub>oz</sub> ) ca.	VOSWINKEL Part Numbers	( <sup>g</sup> / <sub>oz</sub> ) ca.	
Female Thread according to DIN 3852						STAUFF Ordering Codes	per pc.	STAUFF Ordering Codes	per pc.	
	G 3/4"	95	78,5		16	HS25-1-IGF12-VA	748	HS25-2-IGF12-VA	651	
		3.74	3.09		0.63	QRC-HS-25-F-G12-VT-W5I	1645.60	QRC-HS-25-M-G12-V-W5I	1432.20	
	G 1"	95	78,5		18	HS25-1-IGF16-VA	713	HS25-2-IGF16-VA	615	
		3.74	3.09		0.71	QRC-HS-25-F-G16-VT-W5I	1568.60	QRC-HS-25-M-G16-V-W5I	1353.00	

HS-VA



**Series HS 38-VA ▪ BG 12 ▪ Nominal Size 38**
**Working Pressure**

100 bar / 10 MPa / 1450 PSI

**Burst Pressure**

400 bar / 40 MPa / 5802 PSI (Female Body)

400 bar / 40 MPa / 5802 PSI (Male Tip)

400 bar / 40 MPa / 5802 PSI (Connected)

The indicated pressure ratings only apply to the coupling itself and depend on the connection type.

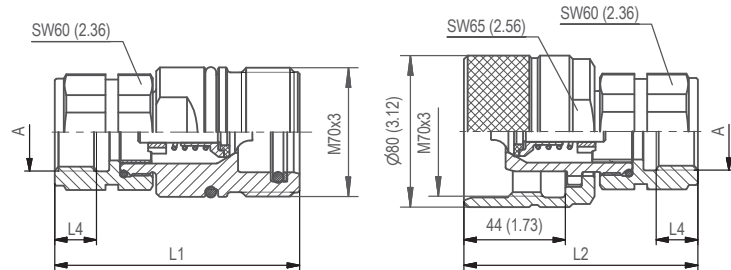
**Material**

Stainless Steel V4A (AISI 316)

**Standard Seal Material(s)**

FKM (Viton®)

Dimensions acc. to ISO 14541.

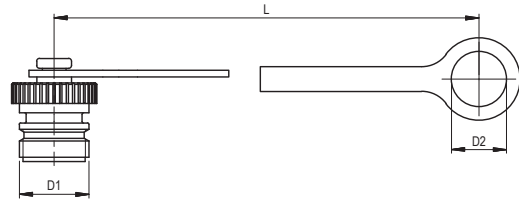
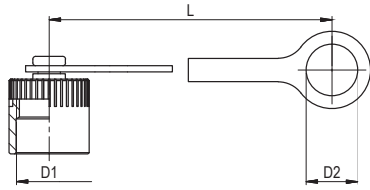


SW: Width across flats. All dimensions in mm (inch). Drawing similar series HS 12-VA.

Port A	Dimensions (mm/in)	Female Body				Weight ( <sup>g</sup> / <sub>oz</sub> ) ca. per pc.	Male Tip		Weight ( <sup>g</sup> / <sub>oz</sub> ) ca. per pc.	
		ØD2	L1	L2	L3		VOSWINKEL Part Numbers	VOSWINKEL Part Numbers		
		L4 min	STAUFF Ordering Codes		per pc.		STAUFF Ordering Codes			
Female Thread according to DIN 3852										
	G 1 1/4"		116	121		20	HS38-1-IGF20-VA	1802	HS38-2-IGF20-VA	2350
			4.57	4.76		0.79	QRC-HS-38-F-G20-VT-W5I	3964.40	QRC-HS-38-M-G20-V-W5I	5170.00
	G 1 1/2"		116	121		22	HS38-1-IGF24-VA	1730	HS38-2-IGF24-VA	2278
			4.57	4.76		0.87	QRC-HS-38-F-G24-VT-W5I	3806.00	QRC-HS-38-M-G24-V-W5I	5011.60

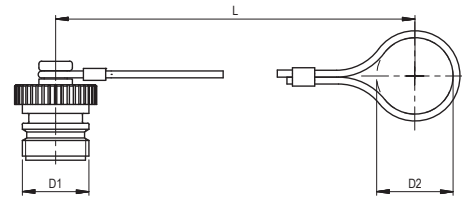
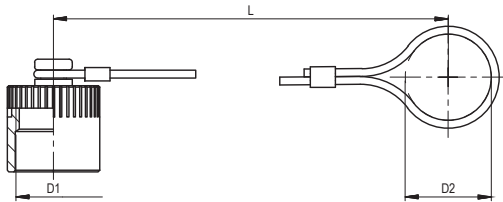
**HS-VA**


Series HS-VA • Dust Protection



Dimensions (mm/in)			Material	Dust Cap for Male Tip	
D1	D2	L		VOSWINKEL Part Numbers	STAUFF Ordering Codes
M24x2	19	180	Plastic (Colour: Red)	HS04-0-RT001	QRC-HS-06-DF-19-K-RD
	.75	7.09		QRC-HS-06-DF-19-K-RD	
M28x2	23	180	Plastic (Colour: Red)	HS08-0-RT001	QRC-HS-10-DF-23-K-RD
	.91	7.09		QRC-HS-10-DF-23-K-RD	
M36x2	29,5	185	Plastic (Colour: Red)	HS10-0-RT001	QRC-HS-12-DF-30-K-RD
	1.16	7.28		QRC-HS-12-DF-30-K-RD	
M42x2	36,5	190	Plastic (Colour: Red)	HS12-0-RT001	QRC-HS-19-DF-37-K-RD
	1.44	7.48		QRC-HS-19-DF-37-K-RD	
M48x3	41	190	Plastic (Colour: Red)	HS20-0-RT001	QRC-HS-25-DF-41-K-RD
	1.61	7.48		QRC-HS-25-DF-41-K-RD	
M70x3	55	201	Plastic (Colour: Red)	HS25-0-RT001	QRC-HS-38-DF-55-K-RD
	2.17	7.91		QRC-HS-38-DF-55-K-RD	

Dimensions (mm/in)			Material	Dust Plug for Female Body	
D1	D2	L		VOSWINKEL Part Numbers	STAUFF Ordering Codes
M24x2	19	180	Plastic (Colour: Red)	HS04-9-RT001	QRC-HS-06-DM-19-K-RD
	.75	7.09		QRC-HS-06-DM-19-K-RD	
M28x2	23	180	Plastic (Colour: Red)	HS08-9-RT001	QRC-HS-10-DM-23-K-RD
	.91	7.09		QRC-HS-10-DM-23-K-RD	
M36x2	29,5	185	Plastic (Colour: Red)	HS10-9-RT001	QRC-HS-12-DM-30-K-RD
	1.16	7.28		QRC-HS-12-DM-30-K-RD	
M42x2	36,5	190	Plastic (Colour: Red)	HS12-9-RT001	QRC-HS-19-DM-37-K-RD
	1.44	7.48		QRC-HS-19-DM-37-K-RD	
M48x3	41	190	Plastic (Colour: Red)	HS20-9-RT001	QRC-HS-25-DM-41-K-RD
	1.61	7.48		QRC-HS-25-DM-41-K-RD	
M70x3	55	201	Plastic (Colour: Red)	HS25-9-RT001	QRC-HS-38-DM-55-K-RD
	2.17	7.91		QRC-HS-38-DM-55-K-RD	



HS-VA

Dimensions (mm/in)			Material	Dust Cap for Male Tip	
D1	D2	L		VOSWINKEL Part Numbers	STAUFF Ordering Codes
M24x2			Aluminium with steel cable	HS04-0-SI001	QRC-HS-06-DF-19-W89-SI
				QRC-HS-06-DF-19-W89-SI	
M28x2			Aluminium with steel cable	HS08-0-SI001	QRC-HS-10-DF-23-W89-SI
				QRC-HS-10-DF-23-W89-SI	
M36x2			Aluminium with steel cable	HS10-0-SI001	QRC-HS-12-DF-30-W89-SI
				QRC-HS-12-DF-30-W89-SI	
M42x2			Aluminium with steel cable	HS12-0-SI001	QRC-HS-19-DF-37-W89-SI
				QRC-HS-19-DF-37-W89-SI	
M48x3			Aluminium with steel cable	HS20-0-SI001	QRC-HS-25-DF-41-W89-SI
				QRC-HS-25-DF-41-W89-SI	
M70x3			Aluminium with steel cable	HS25-0-SI001	QRC-HS-38-DF-55-W89-SI
				QRC-HS-38-DF-55-W89-SI	

Dimensions (mm/in)			Material	Dust Plug for Female Body	
D1	D2	L		VOSWINKEL Part Numbers	STAUFF Ordering Codes
M24x2			Aluminium with steel cable	HS04-9-SI001	QRC-HS-06-DM-19-W89-SI
				QRC-HS-06-DM-19-W89-SI	
M28x2			Aluminium with steel cable	HS08-9-SI001	QRC-HS-10-DM-23-W89-SI
				QRC-HS-10-DM-23-W89-SI	
M36x2			Aluminium with steel cable	HS10-9-SI001	QRC-HS-12-DM-30-W89-SI
				QRC-HS-12-DM-30-W89-SI	
M42x2			Aluminium with steel cable	HS12-9-SI001	QRC-HS-19-DM-37-W89-SI
				QRC-HS-19-DM-37-W89-SI	
M48x3			Aluminium with steel cable	HS20-9-SI001	QRC-HS-25-DM-41-W89-SI
				QRC-HS-25-DM-41-W89-SI	
M70x3			Aluminium with steel cable	HS25-9-SI001	QRC-HS-38-DM-55-W89-SI
				QRC-HS-38-DM-55-W89-SI	

In addition to the standard colours as stated above, plastic dust caps are also available in blue, green, yellow and black. Please use the VOSWINKEL codes BL, GN, GE and SW respectively instead of RT. Please use the STAUFF codes BU, GN, YE and BK respectively instead of RD.





Series HT • Characteristics	184
Series HT 19 • BG 6 • Nominal Size 19	185
Series HT 25 • BG 8 • Nominal Size 25	186
Series HT • Dust Protection	187



**HT**



### Series HT ▪ Characteristics

**Description**

- Screw-to-connect coupling
- Valve design: double shut-off
- Connection under pressure: not recommended

**Working Pressure**

300 ... 350 bar / 30 ... 35 MPa / 4350 ... 5075 PSI

The indicated pressure ratings only apply to the coupling itself and depend on the connection type.

**Working Temperature**

-25° C ... +100° C / -13° F ... +212° F

**Material**

Steel

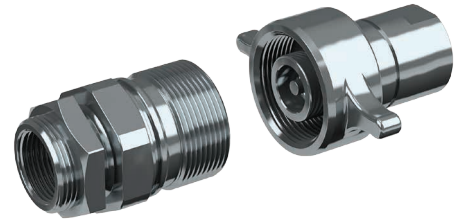
**Surface Finishing**

Zinc-Plating and Thick-Film-Passivation (Chrome III)

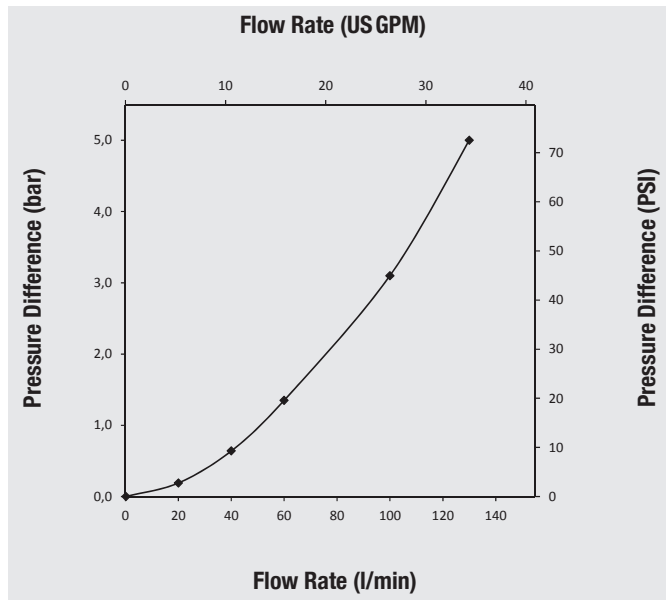
**Standard Seal Material(s)**

NBR (Buna-N®)

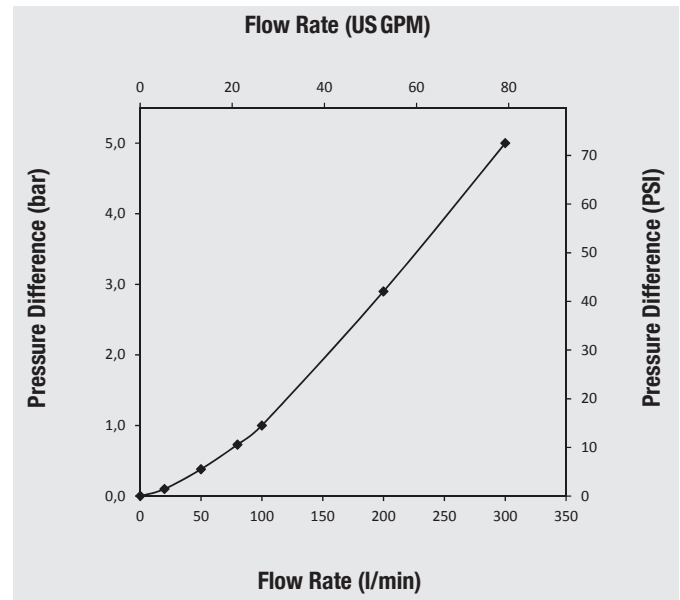
Alternative seal materials are available on request.



### Series HT 19 ▪ BG 6 ▪ Nominal Size 19



### Series HT 25 ▪ BG 8 ▪ Nominal Size 25



Please note: Unless otherwise stated, all flow characteristics have been determined with hydraulic oil with a kinematic viscosity of 36 mm<sup>2</sup>/s (36 cSt) and are only valid for components with non-reducing connections.

HT





**Series HT 19 ▪ BG 6 ▪ Nominal Size 19**
**Working Pressure**

350 bar / 35 MPa / 5076 PSI

**Burst Pressure**

1000 bar / 100 MPa / 14504 PSI (Female Body)

1000 bar / 100 MPa / 14504 PSI (Male Tip)

1300 bar / 130 MPa / 18855 PSI (Connected)

The indicated pressure ratings only apply to the coupling itself and depend on the connection type.

**Material**

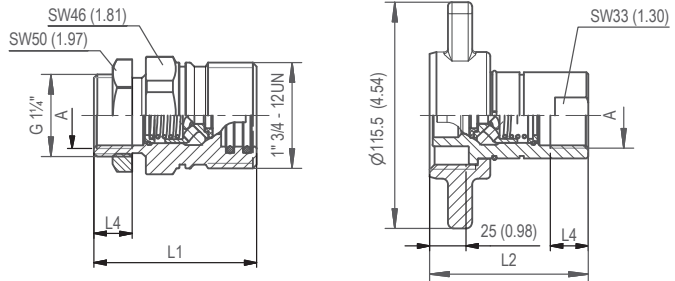
Steel

**Surface Finishing**

Zinc-Plating and Thick-Film-Passivation (Chrome III)

**Standard Seal Material(s)**

NBR (Buna-N®)



SW: Width across flats. All dimensions in mm (inch). Drawing similar series HT 25.

Port A	Dimensions (mm/in)				Female Body		Weight	Male Tip		Weight
	ØD2	L1	L2	L3	L4 min	VOSWINKEL Part Numbers	( <sup>g</sup> /oz) ca.	VOSWINKEL Part Numbers	( <sup>g</sup> /oz) ca.	
Female Thread according to DIN 3852						STAUFF Ordering Codes	per pc.	STAUFF Ordering Codes	per pc.	
	G 3/4"	78	80		16	HT19-1-IGF12	704	HT19-2-IGF12	755	
		3.07	3.15		0.63	QRC-HT-19-F-G12-B-W66I	1548.80	QRC-HT-19-M-G12-B-W66I	1661.00	

**HT**


**Series HT 25 ▪ BG 8 ▪ Nominal Size 25**

**Working Pressure**

300 bar / 30 MPa / 4351 PSI

**Burst Pressure**

1000 bar / 100 MPa / 14504 PSI (Female Body)

1000 bar / 100 MPa / 14504 PSI (Male Tip)

1000 bar / 100 MPa / 14504 PSI (Connected)

The indicated pressure ratings only apply to the coupling itself and depend on the connection type.

**Material**

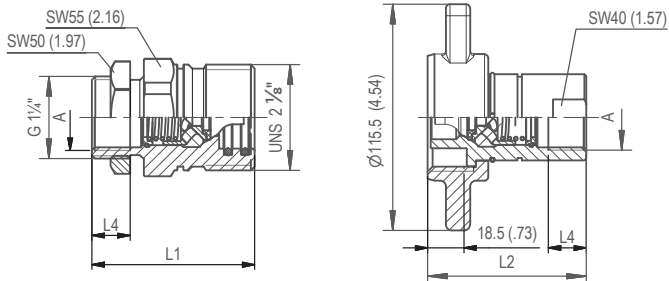
Steel

**Surface Finishing**

Zinc-Plating and Thick-Film-Passivation (Chrome III)

**Standard Seal Material(s)**

NBR (Buna-N®)

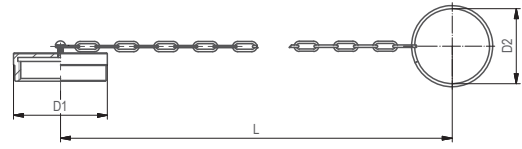
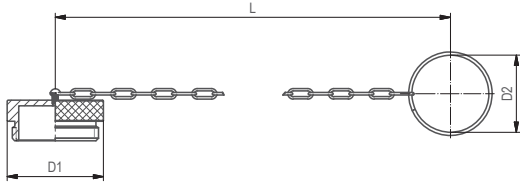


SW: Width across flats. All dimensions in mm (inch).

Port A	Dimensions (mm/in)				Female Body		Weight	Male Tip		Weight
	ØD2	L1	L2	L3	L4 min	VOSWINKEL Part Numbers	( <sup>g</sup> / <sub>oz</sub> ) ca.	VOSWINKEL Part Numbers	( <sup>g</sup> / <sub>oz</sub> ) ca.	
						STAUFF Ordering Codes	per pc.	STAUFF Ordering Codes	per pc.	
Female Thread according to DIN 3852										
	G 1"		81,5	81,5		18	HT25-1-IGF16	915	HT25-2-IGF16	874
			3.21	3.21		0.71	QRC-HT-25-F-G16-B-W66I	2013.00	QRC-HT-25-M-G16-B-W66I	1922.80

HT

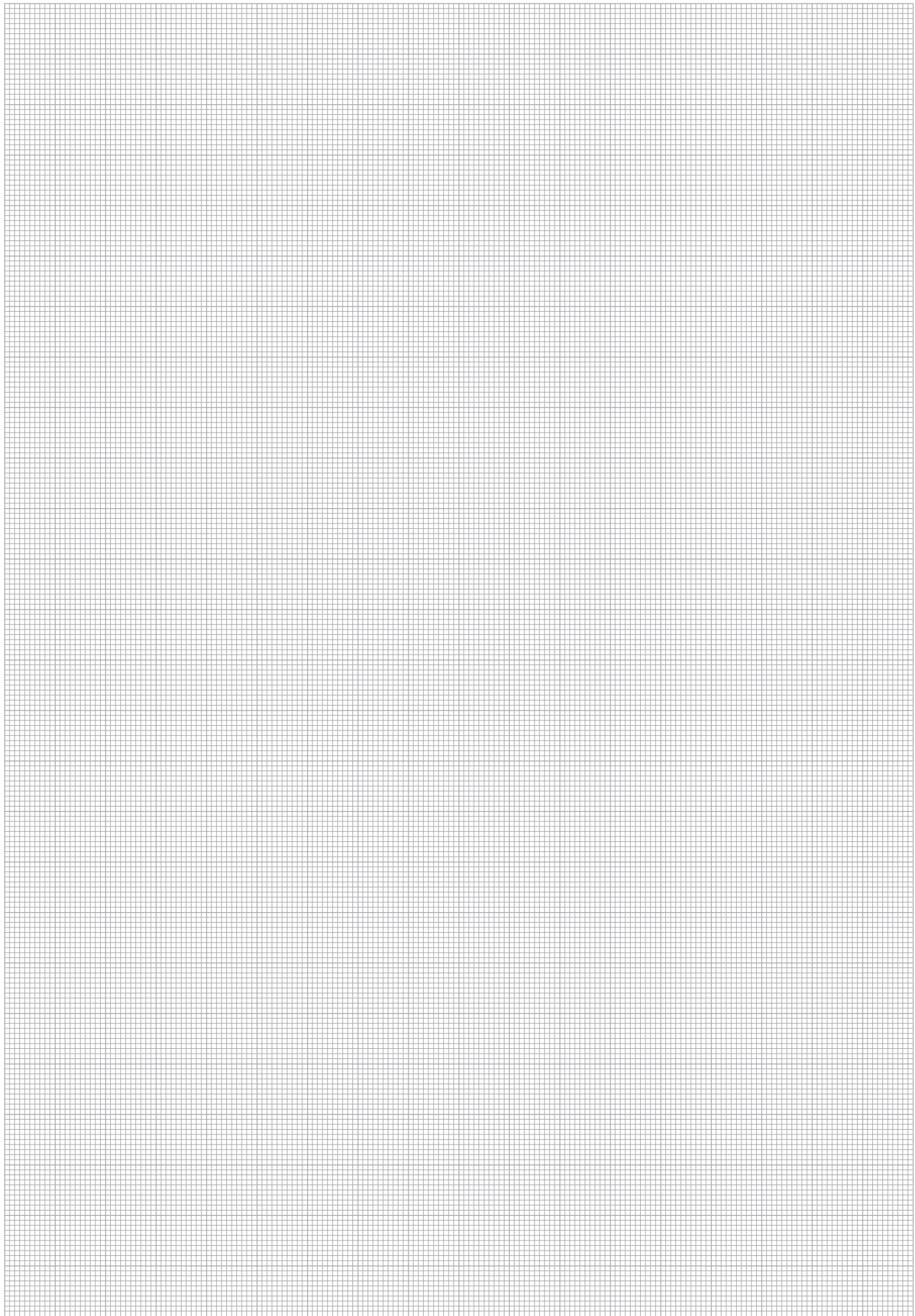


**Series HT • Dust Protection**


Dimensions (mm/in)			Material	Dust Cap for Male Tip	
D1	D2	L		VOSWINKEL Part Numbers	STAUFF Ordering Codes
49	41	270	Steel with chain	HT19-0-ST001	
1.93	1.61	10.63		QRC-HT-19-DM-41/CN-W66I	
59,5	49	270	Steel with chain	HT25-0-ST001	
2.34	1.93	10.63		QRC-HT-25-DM-49/CN-W66I	

Dimensions (mm/in)			Material	Dust Plug for Female Body	
D1	D2	L		VOSWINKEL Part Numbers	STAUFF Ordering Codes
49,5	49	270	Steel with chain	HT19-9-ST001	
1.95	1.93	10.63		QRC-HT-19-DF-49/CN-W66I	
59,5	49	270	Steel with chain	HT25-9-ST001	
2.34	1.93	10.63		QRC-HT-25-DF-49/CN-W66I	

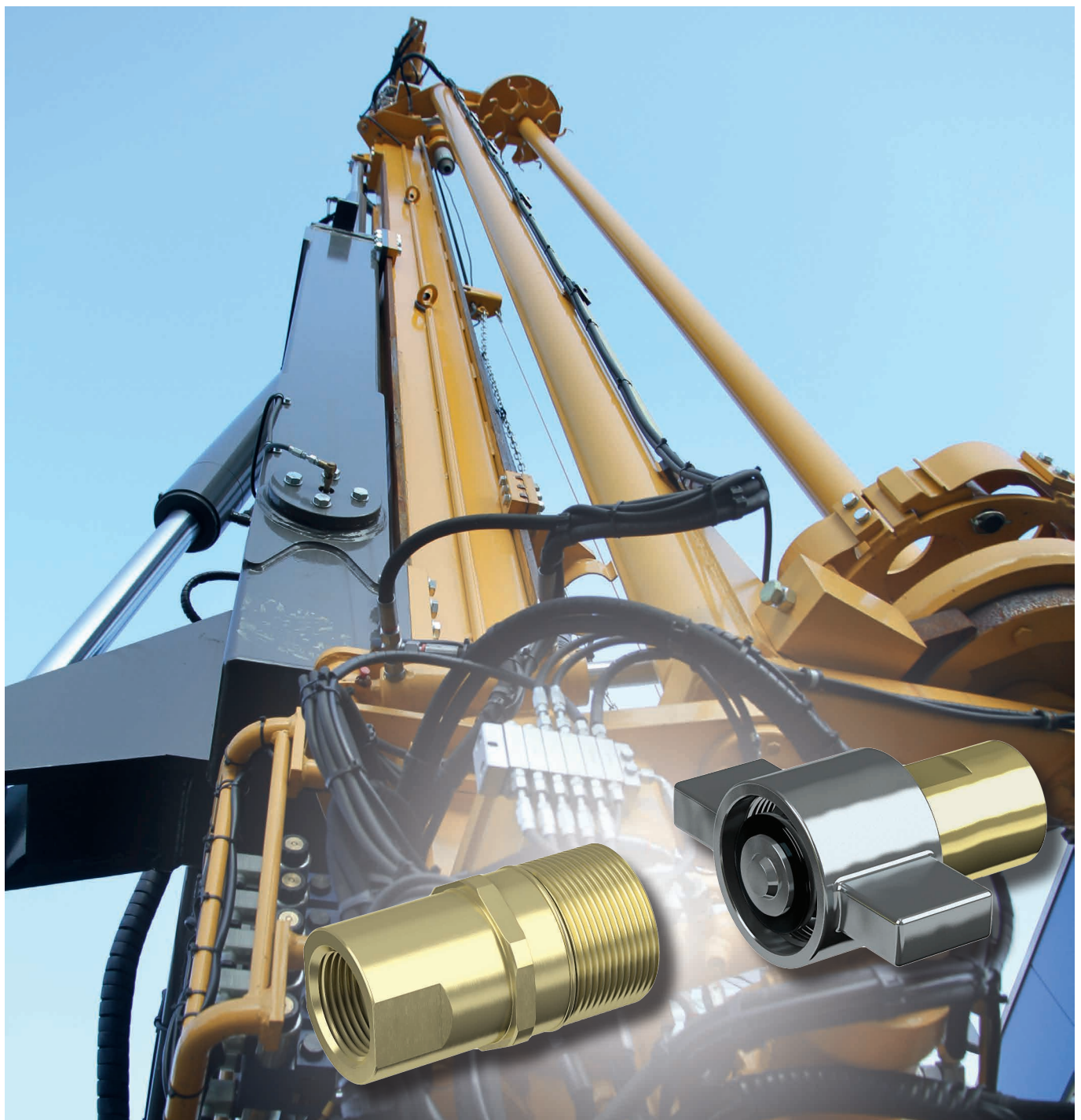
**HT**

HT



Series HM ▪ Characteristics	190 -191
Series HM 19 ▪ BG 6 ▪ Nominal Size 19	192
Series HM 25 ▪ BG 8 ▪ Nominal Size 25	193
Series HM 31 ▪ BG 10 ▪ Nominal Size 31	194
Series HM 38 ▪ BG 12 ▪ Nominal Size 38	195
Series HM ▪ Dust Protection	196



**HM**



### Series HM ▪ Characteristics

**Description**

- Flat-face screw-to-connect coupling
- Valve design: double shut-off
- Connection under pressure: not recommended

**Working Pressure**

170 ... 210 bar / 17 ... 21 MPa / 2465 ... 3045 PSI

The indicated pressure ratings only apply to the coupling itself and depend on the connection type.

**Working Temperature**

-25° C ... +100° C / -13° F ... +212° F

**Material**

Brass and Steel

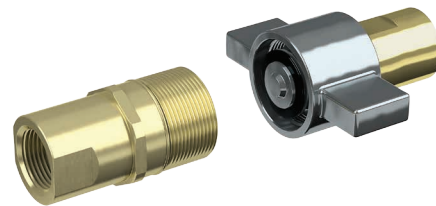
**Surface Finishing**

Zinc-Plating and Thick-Film-Passivation (Chrome III)

**Standard Seal Material(s)**

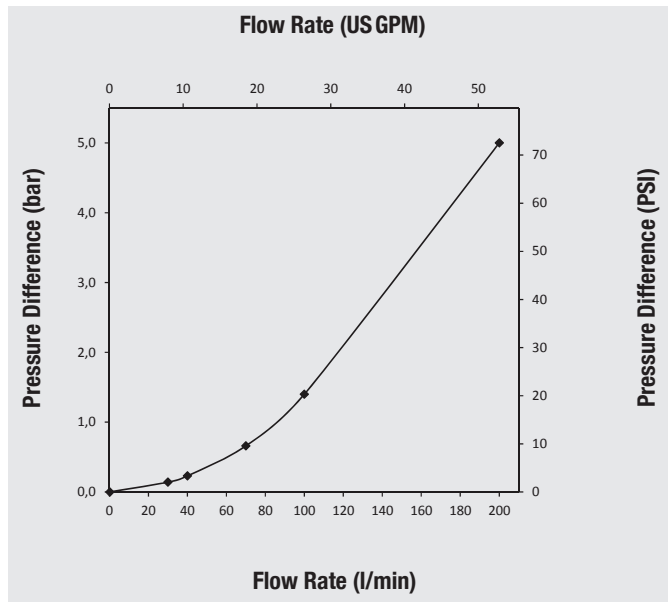
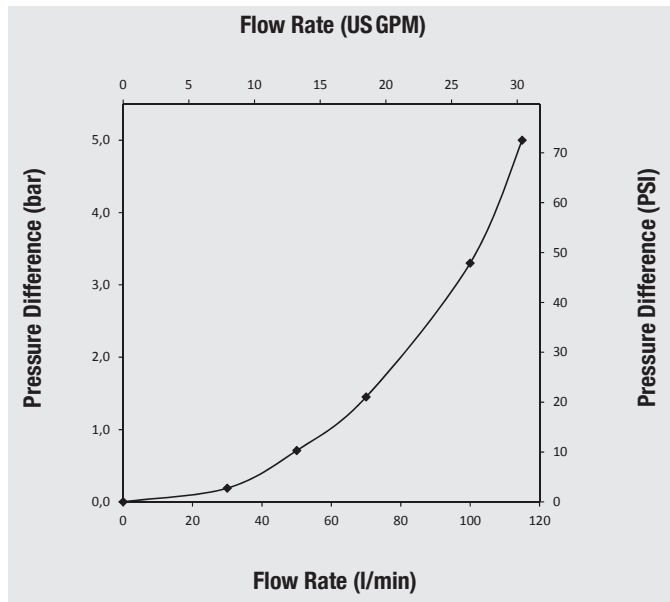
NBR (Buna-N®)

Alternative seal materials are available on request.



### Series HM 19 ▪ BG 6 ▪ Nominal Size 19

### Series HM 25 ▪ BG 8 ▪ Nominal Size 25



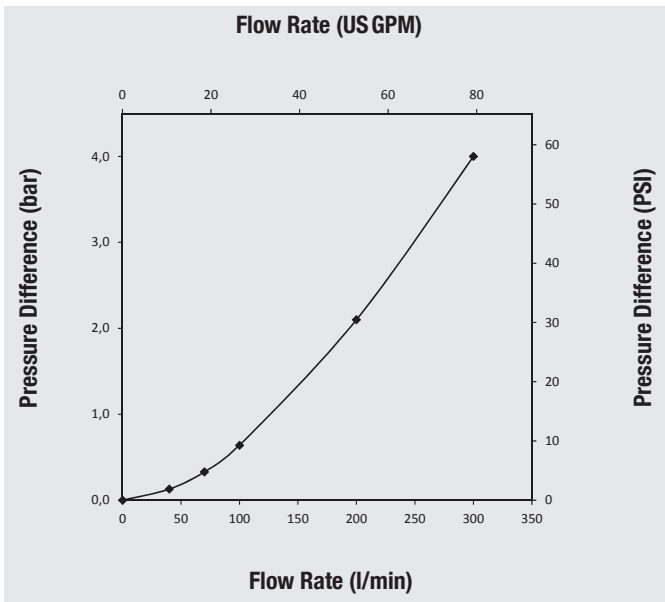
Please note: Unless otherwise stated, all flow characteristics have been determined with hydraulic oil with a kinematic viscosity of 36 mm<sup>2</sup>/s (36 cSt) and are only valid for components with non-reducing connections.

HM

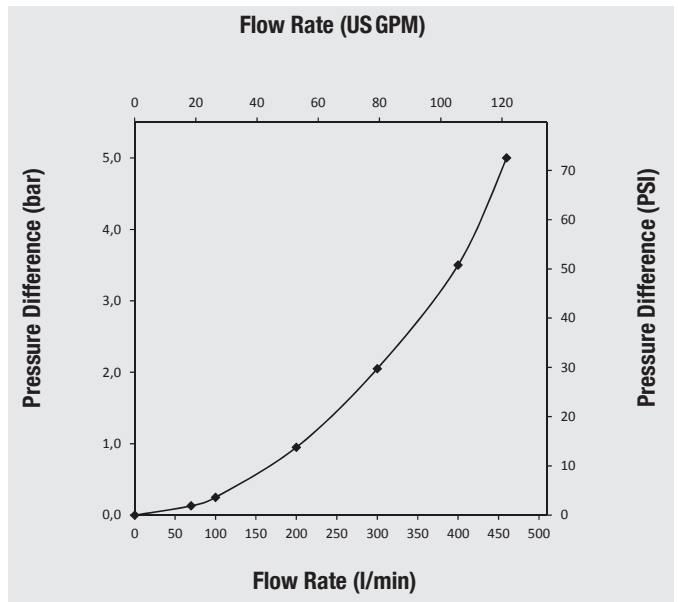




**Series HM 31 ▪ BG 10 ▪ Nominal Size 31**



**Series HM 38 ▪ BG 12 ▪ Nominal Size 38**



**HM**



**Series HM 19 ▪ BG 6 ▪ Nominal Size 19**

**Working Pressure**

210 bar / 21 MPa / 3046 PSI

**Burst Pressure**

460 bar / 46 MPa / 6672 PSI (Female Body)

580 bar / 58 MPa / 8412 PSI (Male Tip)

1160 bar / 116 MPa / 16825 PSI (Connected)

The indicated pressure ratings only apply to the coupling itself and depend on the connection type.

**Material**

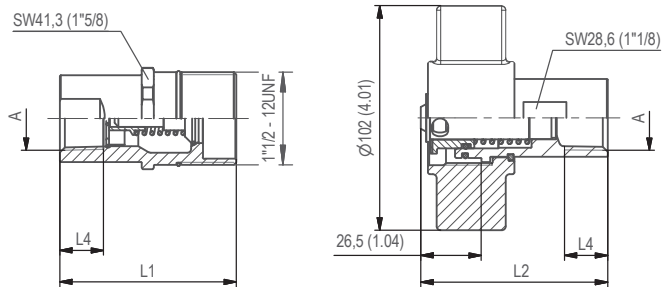
Brass and Steel

**Surface Finishing**

Zinc-Plating and Thick-Film-Passivation (Chrome III)

**Standard Seal Material(s)**

NBR (Buna-N®)



SW: Width across flats. All dimensions in mm (inch). Drawing similar series HM 25.

	Port A	Dimensions ( <sup>mm</sup> / <sub>in</sub> )					Female Body		Weight	Male Tip		Weight
		ØD2	L1	L2	L3	L4	VOSWINKEL Part Numbers	( <sup>g</sup> / <sub>oz</sub> ) ca.	VOSWINKEL Part Numbers	( <sup>g</sup> / <sub>oz</sub> ) ca.		
							STAUFF Ordering Codes	per pc.	STAUFF Ordering Codes	per pc.		
Female Thread according to ANSI B 1.20.3												
	NPTF 1/2" -14	79	80,5			HM19-1-INF08	430	HM19-2-INF08	635			
		3.11	3.17			QRC-HM-19-F-NF08-BT-W162I	946.00	QRC-HM-19-M-NF08-B-W162I	1397.00			
	NPTF 3/4" -14	79	80,5			HM19-1-INF12	395	HM19-2-INF12	602			
		3.11	3.17			QRC-HM-19-F-NF12-BT-W162I	869.00	QRC-HM-19-M-NF12-B-W162I	1324.40			



**Series HM 25 ▪ BG 8 ▪ Nominal Size 25**
**Working Pressure**

210 bar / 21 MPa / 3046 PSI

**Burst Pressure**

370 bar / 37 MPa / 5366 PSI (Female Body)

720 bar / 72 MPa / 10443 PSI (Male Tip)

880 bar / 88 MPa / 12764 PSI (Connected)

The indicated pressure ratings only apply to the coupling itself and depend on the connection type.

**Material**

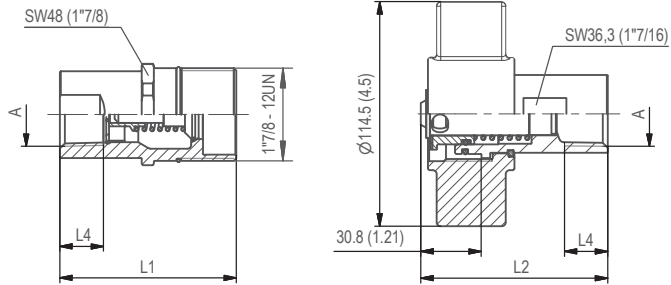
Brass and Steel

**Surface Finishing**

Zinc-Plating and Thick-Film-Passivation (Chrome III)

**Standard Seal Material(s)**

NBR (Buna-N®)



SW: Width across flats. All dimensions in mm (inch).

	Port A	Dimensions ( <sup>mm</sup> / <sub>in</sub> )				Female Body		Weight	Male Tip		Weight
		ØD2	L1	L2	L3	L4	VOSWINKEL Part Numbers	( <sup>g</sup> / <sub>oz</sub> ) ca.	VOSWINKEL Part Numbers	( <sup>g</sup> / <sub>oz</sub> ) ca.	
							STAUFF Ordering Codes	per pc.	STAUFF Ordering Codes	per pc.	
Female Thread according to ANSI B 1.20.3											
	NPTF 1" - 11 1/2	90	95,3			<b>HM25-1-INF16</b>	633	<b>HM25-2-INF16</b>	1040		
		3.54	3.75			<b>QRC-HM-25-F-NF16-BT-W162I</b>	1392.60	<b>QRC-HM-25-M-NF16-B-W162I</b>	2288.00		



**Series HM 31 ▪ BG 10 ▪ Nominal Size 31**

**Working Pressure**

190 bar / 19 MPa / 2756 PSI

**Burst Pressure**

430 bar / 43 MPa / 6237 PSI (Female Body)

570 bar / 57 MPa / 8267 PSI (Male Tip)

520 bar / 52 MPa / 7542 PSI (Connected)

The indicated pressure ratings only apply to the coupling itself and depend on the connection type.

**Material**

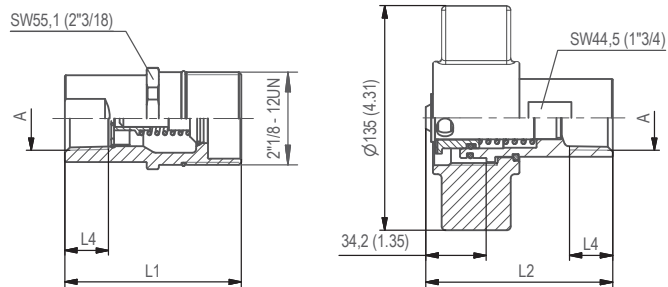
Brass and Steel

**Surface Finishing**

Zinc-Plating and Thick-Film-Passivation (Chrome III)

**Standard Seal Material(s)**

NBR (Buna-N®)



SW: Width across flats. All dimensions in mm (inch). Drawing similar series HM 25.

	Port A	Dimensions ( <sup>mm</sup> / <sub>in</sub> )					Female Body		Weight	Male Tip		Weight
		ØD2	L1	L2	L3	L4	VOSWINKEL Part Numbers		( <sup>g</sup> / <sub>oz</sub> ) ca.	VOSWINKEL Part Numbers		( <sup>g</sup> / <sub>oz</sub> ) ca.
							STAUFF Ordering Codes		per pc.	STAUFF Ordering Codes		per pc.
Female Thread according to ANSI B 1.20.3												
	NPTF 1 1/4" -11 1/2	94,2	100				HM31-1-INF20	765	HM31-2-INF20	1255		
		3.71	3.94				QRC-HM-31-F-NF20-BT-W162I	1683.00	QRC-HM-31-M-NF20-B-W162I	2761.00		



**Series HM 38 ▪ BG 12 ▪ Nominal Size 38**
**Working Pressure**

170 bar / 17 MPa / 2466 PSI

**Burst Pressure**

430 bar / 43 MPa / 6237 PSI (Female Body)

350 bar / 35 MPa / 5076 PSI (Male Tip)

500 bar / 50 MPa / 7252 PSI (Connected)

The indicated pressure ratings only apply to the coupling itself and depend on the connection type.

**Material**

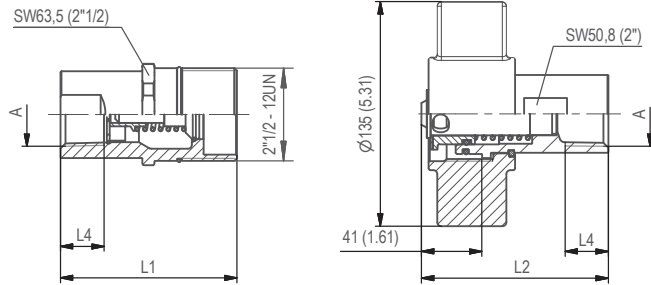
Brass and Steel

**Surface Finishing**

Zinc-Plating and Thick-Film-Passivation (Chrome III)

**Standard Seal Material(s)**

NBR (Buna-N®)

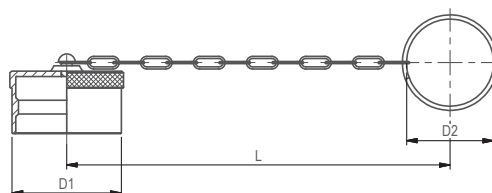
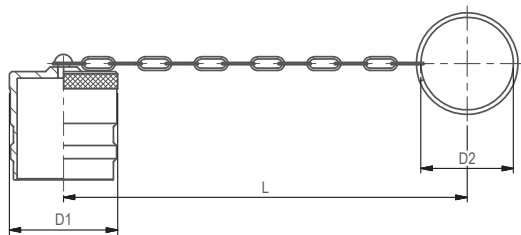


SW: Width across flats. All dimensions in mm (inch). Drawing similar series HM 25.

Port A	Dimensions (mm/in)	Female Body				Weight ( <sup>g</sup> / <sub>oz</sub> ) ca. per pc.	Male Tip		Weight ( <sup>g</sup> / <sub>oz</sub> ) ca. per pc.
		ØD2	L1	L2	L3		L4	VOSWINKEL Part Numbers	
Female Thread according to ANSI B 1.20.3									
	NPTF 1 1/2" -11 1/2	104,5	103			<b>HM38-1-INF24</b>	1160	<b>HM38-2-INF24</b>	1550
		4.11	4.06			<b>QRC-HM-38-F-NF24-BT-W162I</b>	2552.00	<b>QRC-HM-38-M-NF24-B-W162I</b>	3410.00

**HM**


Series HM • Dust Protection



Dimensions (mm/in)			Material	Dust Cap for Male Tip	
D1	D2	L		VOSWINKEL Part Numbers	STAUFF Ordering Codes
40	30	210	Brass with chain	HM19-0-MS001	
1.57	1.18	8.27		QRC-HM-19-DM-30/CN-W69I	
48,0	41	270	Brass with chain	HM25-0-MS001	
1.89	1.61	10.63		QRC-HM-25-DM-41/CN-W69I	
56	48	280	Brass with chain	HM31-0-MS001	
2.20	1.89	11.02		QRC-HM-31-DM-48/CN-W69I	
63	48	280	Brass with chain	HM38-0-MS001	
2.48	1.89	11.02		QRC-HM-38-DM-48/CN-W69I	

Dimensions (mm/in)			Material	Dust Plug for Female Body	
D1	D2	L		VOSWINKEL Part Numbers	STAUFF Ordering Codes
41	30	210	Brass with chain	HM19-9-MS001	
1.61	1.18	8.27		QRC-HM-19-DF-30/CN-W69I	
53	41	270	Brass with chain	HM25-9-MS001	
2.09	1.61	10.63		QRC-HM-25-DF-41/CN-W69I	
62	48	280	Brass with chain	HM31-9-MS001	
2.44	1.89	11.02		QRC-HM-31-DF-48/CN-W69I	
69	48	280	Brass with chain	HM38-9-MS001	
2.72	1.89	11.02		QRC-HM-38-DF-48/CN-W69I	

HM





Series HV • Characteristics	198 - 199
Series HV 19 • BG 6 • Nominal Size 19	200
Series HV 25 • BG 8 • Nominal Size 25	201
Series HV 31 • BG 10 • Nominal Size 31	202
Series HV 38 • BG 12 • Nominal Size 38	203
Series HV 51 • BG 14 • Nominal Size 51	204
Series HV • Dust Protection	205



**HV**



### Series HV ▪ Characteristics

**Description**

- Screw-to-connect coupling
- Valve design: double shut-off
- Connection under pressure: permissible (both for male or female side)

**Working Pressure**

350 bar / 35 MPa / 5075 PSI

**Maximum Residual Pressure**

100 bar / 10 MPa / 1450 PSI

The indicated pressure ratings only apply to the coupling itself and depend on the connection type.

**Working Temperature**

-25° C ... +100° C / -13° F ... +212° F

**Material**

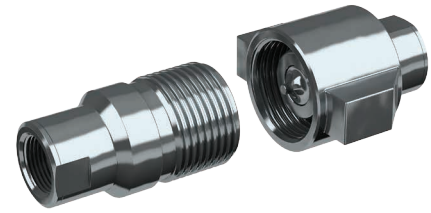
Steel

**Surface Finishing**

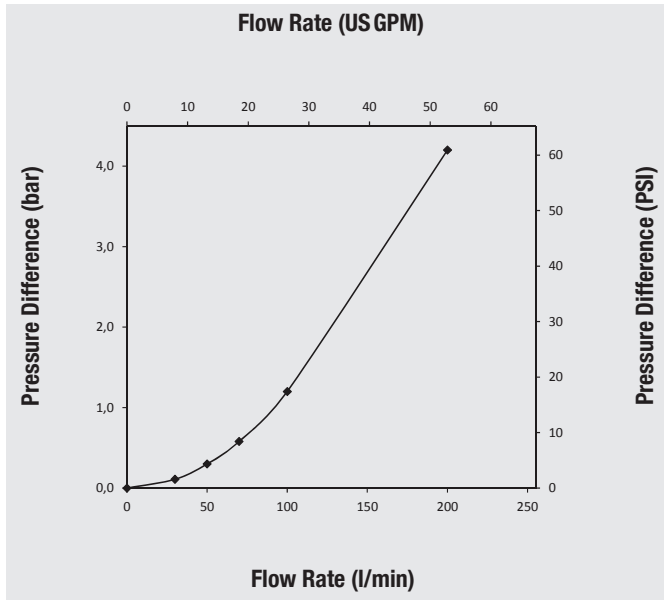
Zinc-Plating and Thick-Film-Passivation (Chrome III)

**Standard Seal Material(s)**

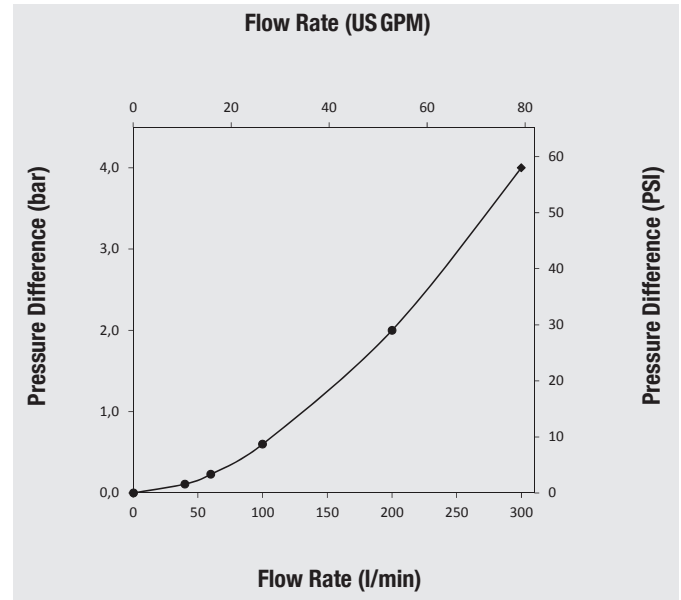
NBR (Buna-N®)



### Series HV 19 ▪ BG 6 ▪ Nominal Size 19



### Series HV 25 ▪ BG 8 ▪ Nominal Size 25

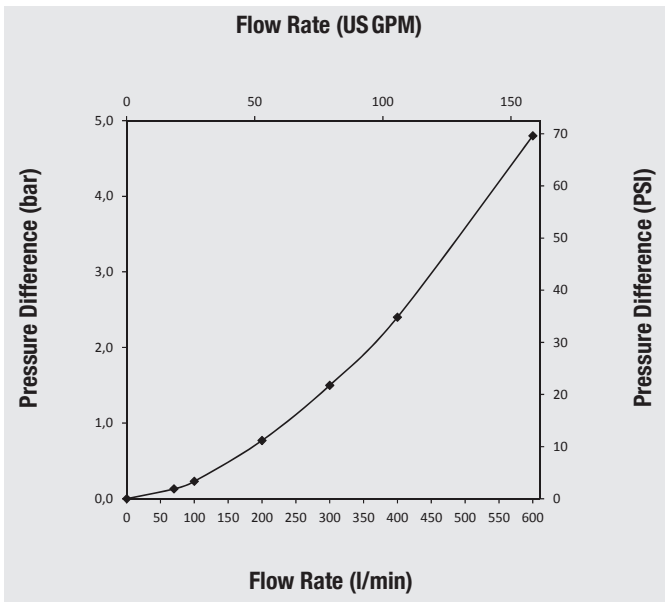


Please note: Unless otherwise stated, all flow characteristics have been determined with hydraulic oil with a kinematic viscosity of 36 mm<sup>2</sup>/s (36 cSt) and are only valid for components with non-reducing connections.

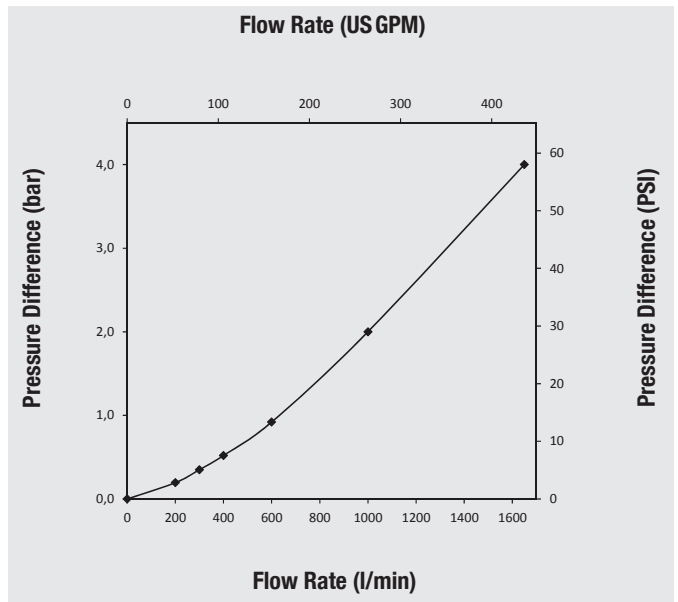
HV



**Series HV 31 ▪ BG 10 ▪ Nominal Size 31**

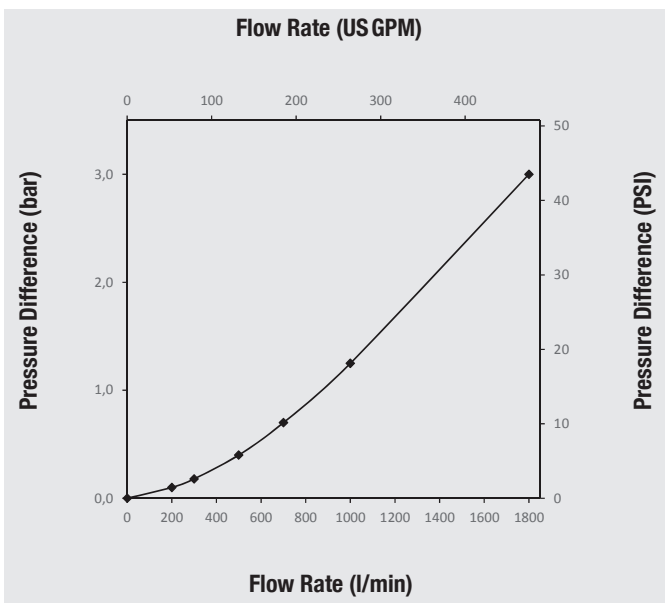


**Series HV 38 ▪ BG 12 ▪ Nominal Size 38**



**HV**

**Series HV 51 ▪ BG 14 ▪ Nominal Size 51**



**Series HV 19 ▪ BG 6 ▪ Nominal Size 19**

**Working Pressure**

350 bar / 35 MPa / 5076 PSI

**Burst Pressure**

1400 bar / 140 MPa / 20306 PSI (Female Body)

750 bar / 75 MPa / 10878 PSI (Male Tip)

1500 bar / 150 MPa / 21756 PSI (Connected)

The indicated pressure ratings only apply to the coupling itself and depend on the connection type.

**Material**

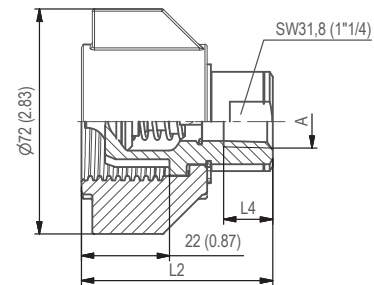
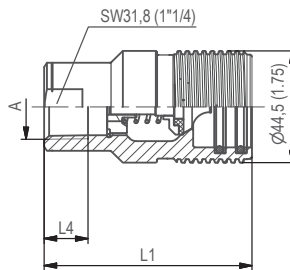
Steel

**Surface Finishing**

Zinc-Plating and Thick-Film-Passivation (Chrome III)

**Standard Seal Material(s)**

NBR (Buna-N®)



SW: Width across flats. All dimensions in mm (inch). Drawing similar series HV 25.

Port A	Dimensions ( <sup>mm</sup> / <sub>in</sub> )					Female Body	Weight	Male Tip	Weight
	ØD2	L1	L2	L3	L4	VOSWINKEL Part Numbers STAUFF Ordering Codes	( <sup>g</sup> / <sub>oz</sub> ) ca. per pc.	VOSWINKEL Part Numbers STAUFF Ordering Codes	( <sup>g</sup> / <sub>oz</sub> ) ca. per pc.
Female Thread according to ANSI B 1.20.3									
	NPT 3/4" -14	83	62			HV19-1-INF12	480	HV19-2-INF12	840
		3.27	2.44			QRC-HV-19-F-NF12-BT-W66I	1056.00	QRC-HV-19-M-NF12-B-W66I	1848.00



**Series HV 25 ▪ BG 8 ▪ Nominal Size 25**
**Working Pressure**

350 bar / 35 MPa / 5076 PSI

**Burst Pressure**

1500 bar / 150 MPa / 21756 PSI (Female Body)

900 bar / 90 MPa / 13054 PSI (Male Tip)

1600 bar / 160 MPa / 23206 PSI (Connected)

The indicated pressure ratings only apply to the coupling itself and depend on the connection type.

**Material**

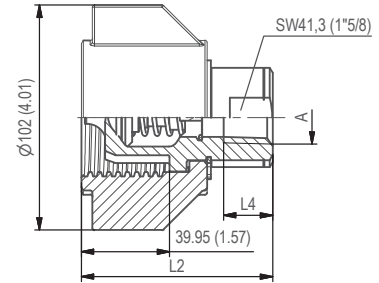
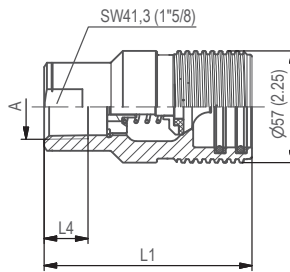
Steel

**Surface Finishing**

Zinc-Plating and Thick-Film-Passivation (Chrome III)

**Standard Seal Material(s)**

NBR (Buna-N®)



SW: Width across flats. All dimensions in mm (inch).

Port A	Dimensions ( <sup>mm</sup> / <sub>in</sub> )					Female Body	Weight	Male Tip	Weight
	ØD2	L1	L2	L3	L4	VOSWINKEL Part Numbers STAUFF Ordering Codes	( <sup>g</sup> / <sub>oz</sub> ) ca. per pc.	VOSWINKEL Part Numbers STAUFF Ordering Codes	( <sup>g</sup> / <sub>oz</sub> ) ca. per pc.
Female Thread according to ANSI B 1.20.3									
	NPTF 1" -11 1/2	106	87,6			HV25-1-INF16	1100	HV25-2-INF16	1145
		4.17	3.45			QRC-HV-25-F-NF16-BT-W66I	2420.00	QRC-HV-25-M-NF16-B-W66I	2519.00



**Series HV 31 ▪ BG 10 ▪ Nominal Size 31**

**Working Pressure**

350 bar / 35 MPa / 5076 PSI

**Burst Pressure**

1600 bar / 160 MPa / 23206 PSI (Female Body)

850 bar / 85 MPa / 12328 PSI (Male Tip)

1300 bar / 130 MPa / 18855 PSI (Connected)

The indicated pressure ratings only apply to the coupling itself and depend on the connection type.

**Material**

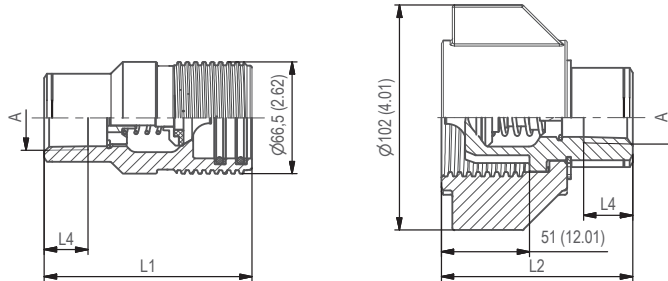
Steel

**Surface Finishing**

Zinc-Plating and Thick-Film-Passivation (Chrome III)

**Standard Seal Material(s)**

NBR (Buna-N®)



SW: Width across flats. All dimensions in mm (inch). Drawing similar series HV 25.

Port A	Dimensions ( <sup>mm</sup> / <sub>in</sub> )					Female Body	Weight	Male Tip	Weight
	ØD2	L1	L2	L3	L4	VOSWINKEL Part Numbers STAUFF Ordering Codes	( <sup>g</sup> / <sub>oz</sub> ) ca. per pc.	VOSWINKEL Part Numbers STAUFF Ordering Codes	( <sup>g</sup> / <sub>oz</sub> ) ca. per pc.
Female Thread according to ANSI B 1.20.3									
	NPTF 1 1/4" -11 1/2	136	113			HV31-1-INF20	1870	HV31-2-INF20	2530
		5.35	4.45			QRC-HV-31-F-NF20-BT-W66I	4114.00	QRC-HV-31-M-NF20-B-W66I	5566.00





**Series HV 38 ▪ BG 12 ▪ Nominal Size 38**
**Working Pressure**

350 bar / 35 MPa / 5076 PSI

**Burst Pressure**

900 bar / 90 MPa / 13054 PSI (Female Body)

600 bar / 60 MPa / 8702 PSI (Male Tip)

1200 bar / 120 MPa / 17405 PSI (Connected)

The indicated pressure ratings only apply to the coupling itself and depend on the connection type.

**Material**

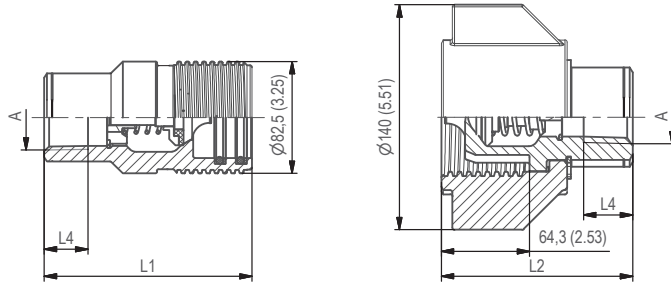
Steel

**Surface Finishing**

Zinc-Plating and Thick-Film-Passivation (Chrome III)

**Standard Seal Material(s)**

NBR (Buna-N®)



SW: Width across flats. All dimensions in mm (inch). Drawing similar series HV 25.

	Port A	Dimensions ( <sup>mm</sup> / <sub>in</sub> )				Female Body		Weight	Male Tip		Weight
		ØD2	L1	L2	L3	L4	VOSWINKEL Part Numbers	( <sup>g</sup> / <sub>oz</sub> ) ca.	VOSWINKEL Part Numbers	( <sup>g</sup> / <sub>oz</sub> ) ca.	
							STAUFF Ordering Codes	per pc.	STAUFF Ordering Codes	per pc.	
Female Thread according to ANSI B 1.20.3											
	NPTF 1 1/2" -11 1/2		152	133,3			HV38-1-INF24	3100	HV38-2-INF24	4010	
			5.98	5.25			QRC-HV-38-F-NF24-BT-W66I	6820.00	QRC-HV-38-M-NF24-B-W66I	8822.00	



**Series HV 51 ▪ BG 14 ▪ Nominal Size 51**

**Working Pressure**

350 bar / 35 MPa / 5076 PSI

**Burst Pressure**

600 bar / 60 MPa / 8702 PSI (Female Body)

500 bar / 50 MPa / 7252 PSI (Male Tip)

1100 bar / 110 MPa / 15954 PSI (Connected)

The indicated pressure ratings only apply to the coupling itself and depend on the connection type.

**Material**

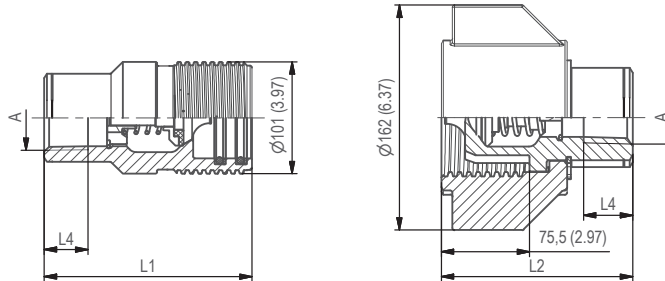
Steel

**Surface Finishing**

Zinc-Plating and Thick-Film-Passivation (Chrome III)

**Standard Seal Material(s)**

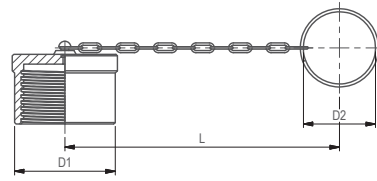
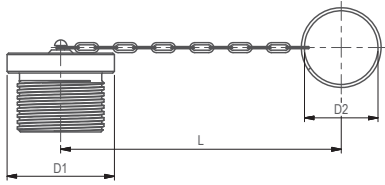
NBR (Buna-N®)



SW: Width across flats. All dimensions in mm (inch). Drawing similar series HV 25.

	Port A	Dimensions ( <sup>mm</sup> / <sub>in</sub> )					Female Body		Weight	Male Tip		Weight
		ØD2	L1	L2	L3	L4	VOSWINKEL Part Numbers	( <sup>g</sup> / <sub>oz</sub> ) ca.	VOSWINKEL Part Numbers	( <sup>g</sup> / <sub>oz</sub> ) ca.		
							STAUFF Ordering Codes	per pc.	STAUFF Ordering Codes	per pc.		
Female Thread according to ANSI B 1.20.3												
	NPTF 2" -11 1/2	179	151,5				HV51-1-INF32	5570	HV51-2-INF32	7935		
		7.05	5.96				QRC-HV-51-F-NF32-BT-W66I	12254.00	QRC-HV-51-M-NF32-B-W66I	17457.00		



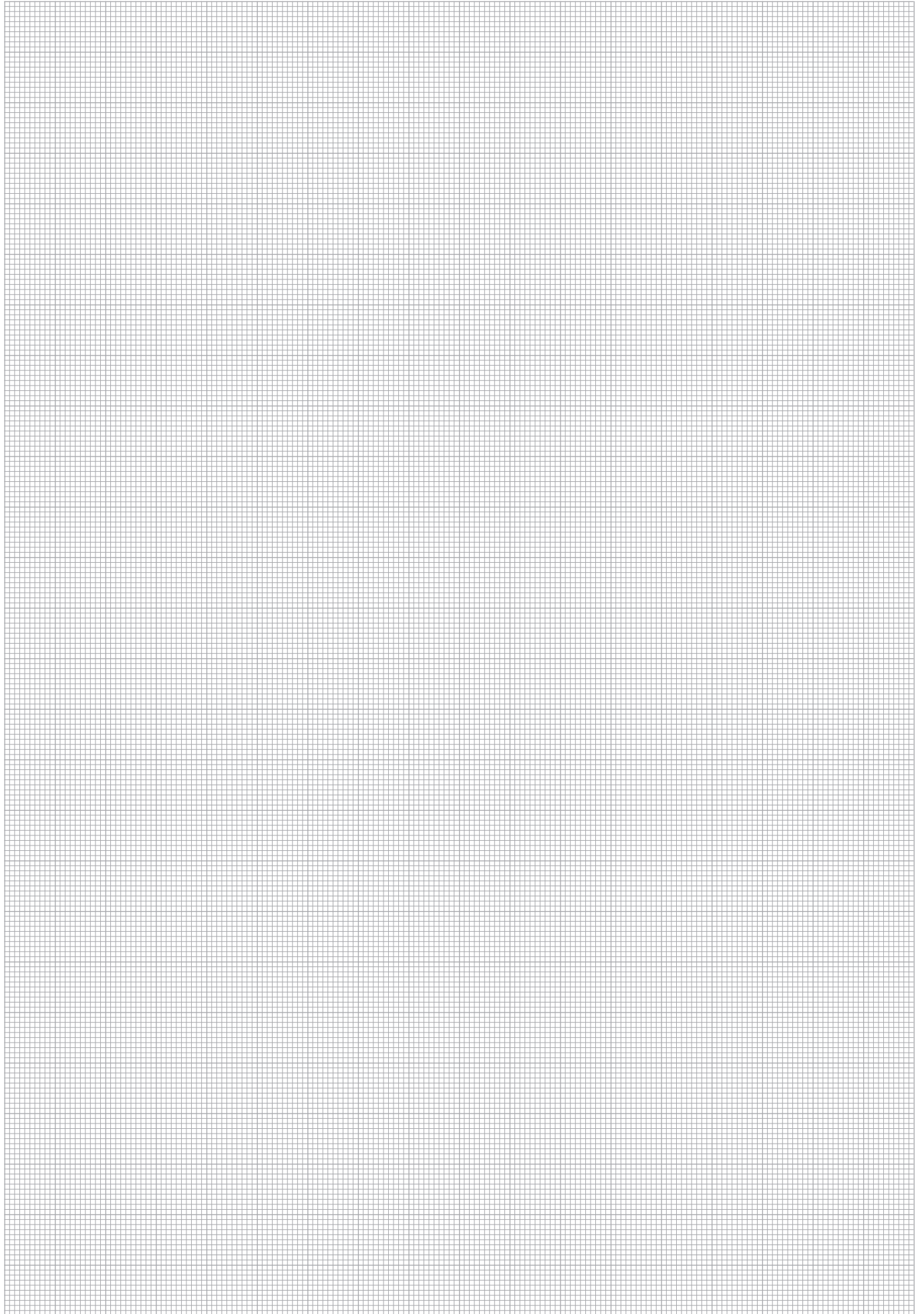
**Series HV • Dust Protection**


Dimensions (mm/in)			Material	Dust Cap for Male Tip	
D1	D2	L		VOSWINKEL Part Numbers	STAUFF Ordering Codes
			Aluminium with chain	HV19-0-SI001*	QRC-HV-19-DM-CN-W89I-SI*
69,5	48	270	Aluminium with chain	HV25-0-SI001	QRC-HV-25-DM-48/CN-W89I-SI
2.74	1.89	10.63	Aluminium with chain	HV31-0-SI001	QRC-HV-31-DM-49/CN-W89I-SI
75,5	49	270	Aluminium with chain	HV38-0-SI001	QRC-HV-38-DM-48/CN-W89I-SI
2.97	1.93	10.63	Aluminium with chain	HV51-0-SI001*	QRC-HV-51-DM-CN-W89I-SI*
95,5	48	280	Aluminium with chain		
3.76	1.89	11.02	Aluminium with chain		

Dimensions (mm/in)			Material	Dust Plug for Female Body	
D1	D2	L		VOSWINKEL Part Numbers	STAUFF Ordering Codes
			Aluminium with chain	HV19-9-SI001*	QRC-HV-19-DF-CN-W89I-SI*
70	48	270	Aluminium with chain	HV25-9-SI001	QRC-HV-25-DF-48/CN-W89I-SI
2.76	1.89	10.63	Aluminium with chain	HV31-9-SI001	QRC-HV-31-DF-49/CN-W89I-SI
80,5	49	270	Aluminium with chain	HV38-9-SI001	QRC-HV-38-DF-48/CN-W89I-SI
3.17	1.93	10.63	Aluminium with chain	HV51-9-SI001*	QRC-HV-51-DF-CN-W89I-SI*
96	48	280	Aluminium with chain		
3.78	1.89	11.02	Aluminium with chain		

\* Available on request.





HV



Series HI • Characteristics	208
Series HI 06 • BG 1 • Nominal Size 6,3	209
Series HI 10 • BG 2 • Nominal Size 10	210



**HI**



### Series HI • Characteristics

**Description**

- Screw-to-connect coupling
- Dimensions according to ISO 14540
- Valve design: double shut-off
- Connection under pressure: not recommended

**Working Pressure**

700 bar / 70 MPa / 10150 PSI

The indicated pressure ratings only apply to the coupling itself and depend on the connection type.

**Working Temperature**

-25° C ... +100° C / -13° F ... +212° F

**Material**

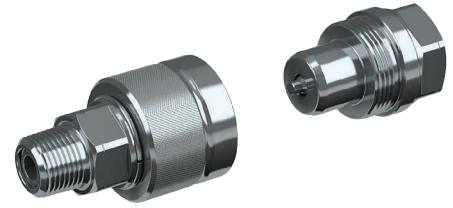
Steel

**Surface Finishing**

Zinc-Plating and Thick-Film-Passivation (Chrome III)

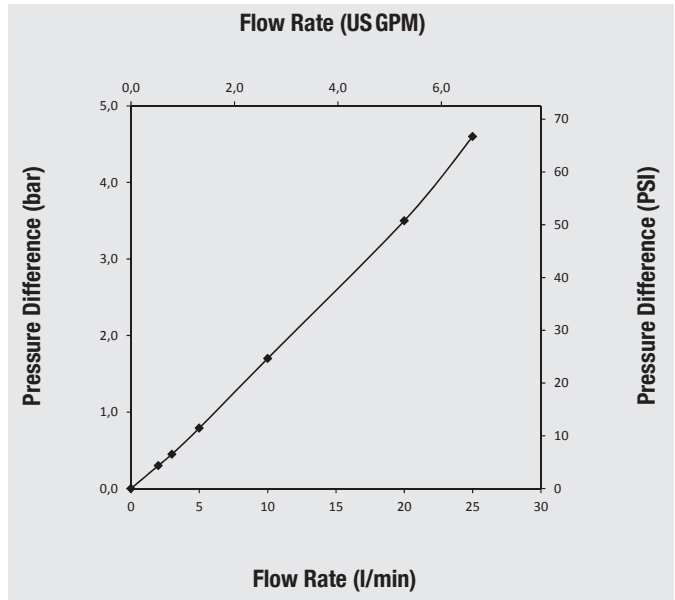
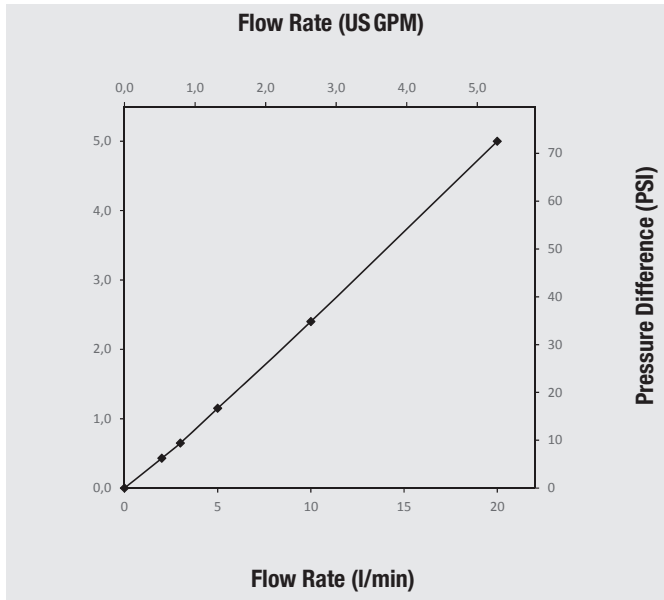
**Standard Seal Material(s)**

NBR (Buna-N®), PU



### Series HI 06 • BG 1 • Nominal Size 6,3

### Series HI 10 • BG 2 • Nominal Size 10



Please note: Unless otherwise stated, all flow characteristics have been determined with hydraulic oil with a kinematic viscosity of 36 mm<sup>2</sup>/s (36 cSt) and are only valid for components with non-reducing connections.

HI





**Series HI 06 ▪ BG 1 ▪ Nominal Size 6,3**
**Working Pressure**

700 bar / 70 MPa / 10153 PSI

**Burst Pressure**

2000 bar / 200 MPa / 29008 PSI (Female Body)

2700 bar / 270 MPa / 39161 PSI (Male Tip)

2200 bar / 220 MPa / 31909 PSI (Connected)

The indicated pressure ratings only apply to the coupling itself and depend on the connection type.

**Material**

Steel

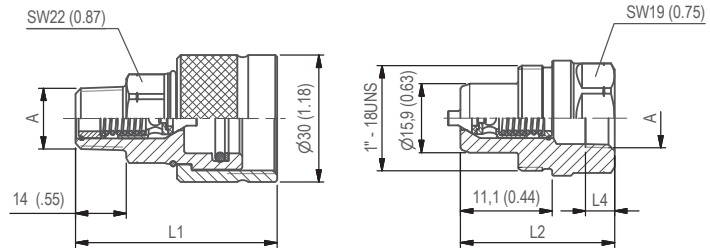
**Surface Finishing**

Zinc-Plating and Thick-Film-Passivation (Chrome III)

**Standard Seal Material(s)**

NBR (Buna-N®), PU

Dimensions acc. to ISO 14540.



SW: Width across flats. All dimensions in mm (inch). Drawing similar series HI 10.

Port A	Dimensions (mm/in)				Female Body		Weight	Male Tip		Weight
	ØD2	L1	L2	L3	L4 min	VOSWINKEL Part Numbers STAUFF Ordering Codes	( <sup>g</sup> /oz) ca. per pc.	VOSWINKEL Part Numbers STAUFF Ordering Codes	( <sup>g</sup> /oz) ca. per pc.	
<b>Male Thread according to ANSI B 1.20.3</b>										
	NPFT 1/4" -18	51,8				HI06-1-ANF04	131			
		2.04					QRC-HI-06-F-NF04M-S1-W66I	288.20		
<b>Female Thread according to DIN 3852 - ANSI B 1.20.3</b>										
	G 1/4"	51,3	40,4		12	HI06-1-IGF04	149	HI06-2-IGF04	90	
		2.02	1.59		0.47	QRC-HI-06-F-G04-BP-W66I	327.80	QRC-HI-06-M-G04-BP-W66I	198.00	
	NPFT 1/4" -18	51,3	40,5			HI06-1-INF04	150	HI06-2-INF04	91	
		2.02	1.59			QRC-HI-06-F-NF04-BP-W66I	330.00	QRC-HI-06-M-NF04-BP-W66I	200.20	



**Series HI 10 • BG 2 • Nominal Size 10**

**Working Pressure**

1000 bar / 100 MPa / 14504 PSI

**Burst Pressure**

3400 bar / 340 MPa / 49314 PSI (Female Body)

2800 bar / 280 MPa / 40611 PSI (Male Tip)

3300 bar / 330 MPa / 47863 PSI (Connected)

The indicated pressure ratings only apply to the coupling itself and depend on the connection type.

**Material**

Steel

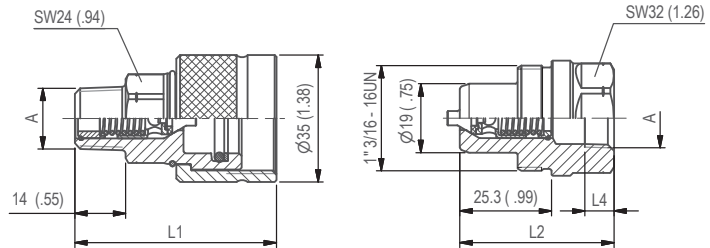
**Surface Finishing**

Zinc-Plating and Thick-Film-Passivation (Chrome III)

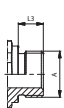
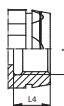
**Standard Seal Material(s)**

NBR (Buna-N®), PU

Dimensions acc. to ISO 14540.



SW: Width across flats. All dimensions in mm (inch).

Port A	Dimensions ( <sup>mm</sup> / <sub>in</sub> )					Female Body	Weight	Male Tip	Weight
	ØD2	L1	L2	L3	L4	VOSWINKEL Part Numbers STAUFF Ordering Codes	( <sup>g</sup> / <sub>oz</sub> ) ca. per pc.	VOSWINKEL Part Numbers STAUFF Ordering Codes	( <sup>g</sup> / <sub>oz</sub> ) ca. per pc.
<b>Male Thread according to ANSI B 1.20.3</b>									
	NPTF 3/8" -18	56				HI10-1-ANF06	165		
		2.19				QRC-HI-10-F-NF06M-SI-W66I	363.00		
<b>Female Thread according to ANSI B 1.20.3</b>									
	NPTF 3/8" -18		42.5					HI10-2-INF06	138
			1.67					QRC-HI-10-M-NF06-BP-W66I	303.60

HI



Series HJ • Characteristics

212

Series HJ 10 • BG 2 • Nominal Size 10

213



HJ



## Series HJ ▪ Characteristics

### Description

- Screw-to-connect coupling
- Dimensions according to ISO 14540
- Valve design: double shut-off
- Connection under pressure: permissible (both for male or female side)

### Working Pressure

700 bar / 70 MPa / 10150 PSI

### Maximum Residual Pressure

100 bar / 10 MPa / 1450 PSI

The indicated pressure ratings only apply to the coupling itself and depend on the connection type.

### Working Temperature

-25° C ... +100° C / -13° F ... +212° F

### Material

Steel

### Surface Finishing

Zinc-Plating and Thick-Film-Passivation (Chrome III)

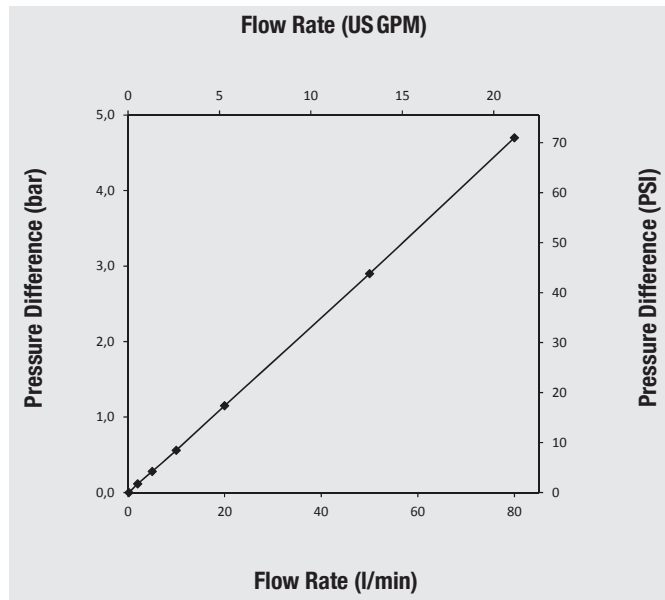
### Standard Seal Material(s)

NBR (Buna-N®)

Alternative seal materials are available on request.



## Series HJ 10 ▪ BG 2 ▪ Nominal Size 10



Please note: Unless otherwise stated, all flow characteristics have been determined with hydraulic oil with a kinematic viscosity of 36 mm<sup>2</sup>/s (36 cSt) and are only valid for components with non-reducing connections.

HJ



**Series HJ 10 ▪ BG 2 ▪ Nominal Size 10**
**Working Pressure**

700 bar / 70 MPa / 10153 PSI

**Burst Pressure**

2000 bar / 200 MPa / 29008 PSI (Female Body)

1500 bar / 150 MPa / 21756 PSI (Male Tip)

2200 bar / 220 MPa / 31909 PSI (Connected)

The indicated pressure ratings only apply to the coupling itself and depend on the connection type.

**Material**

Steel

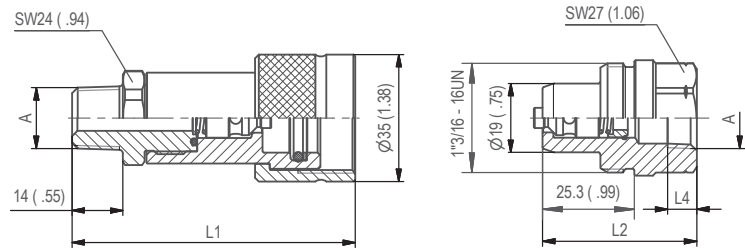
**Surface Finishing**

Zinc-Plating and Thick-Film-Passivation (Chrome III)

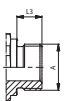
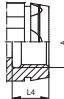
**Standard Seal Material(s)**

NBR (Buna-N®)

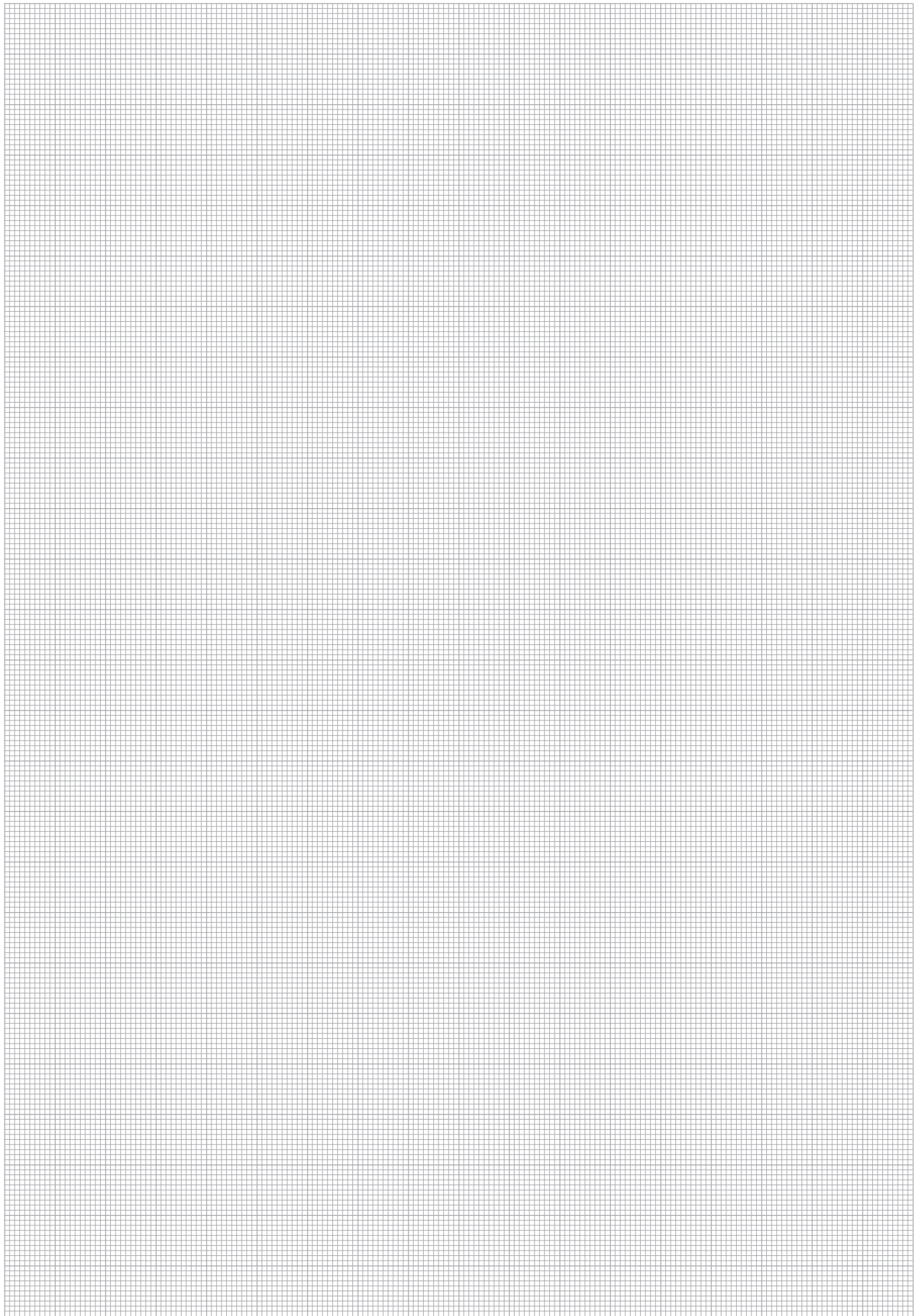
Dimensions acc. to ISO 14540.



SW: Width across flats. All dimensions in mm (inch).

Port A	Dimensions (mm/in)				Female Body		Weight ( <sup>g</sup> /oz) ca. per pc.	Male Tip		Weight ( <sup>g</sup> /oz) ca. per pc.
	ØD2	L1	L2	L3	L4	VOSWINKEL Part Numbers STAUFF Ordering Codes		VOSWINKEL Part Numbers STAUFF Ordering Codes		
<b>Male Thread according to ANSI B 1.20.3</b>										
	NPTF 3/8" -18	62				<b>HJ10-1-ANF06</b>	249			
		2.44				<b>QRC-HJ-10-F-NF06M-BT-W66I</b>	547.80			
<b>Female Thread according to ANSI B 1.20.3</b>										
	NPTF 3/8" -18		42.5					<b>HJ10-2-INF06</b>	139	
			1.67					<b>QRC-HJ-10-M-NF06-O-W66I</b>	305.80	





HJ





Series HB • Characteristics	216 - 217
Series HB 10 • BG 2 • Nominal Size 10	218
Series HB 12 • BG 3 • Nominal Size 12,5	219
Series HB 19 • BG 6 • Nominal Size 19	220
Series HB 25 • BG 8 • Nominal Size 25	221
Series HB • Dust Protection	222



**HB**



## Series HB ▪ Characteristics

### Description

- Screw-to-connect coupling
- Valve design: double shut-off
- Connection under pressure: permissible (both for male or female side)

### Working Pressure

230 ... 300 bar / 23 ... 30 MPa / 3336 ... 4350 PSI

The indicated pressure ratings only apply to the coupling itself and depend on the connection type.

### Working Temperature

-25° C ... +100° C / -13° F ... +212° F

### Material

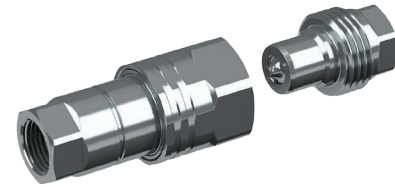
Steel

### Surface Finishing

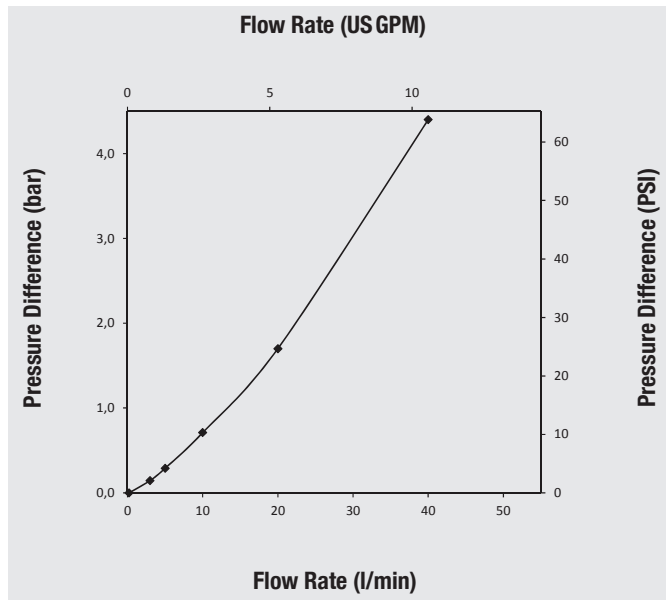
Zinc-Plating and Thick-Film-Passivation (Chrome III)

### Standard Seal Material(s)

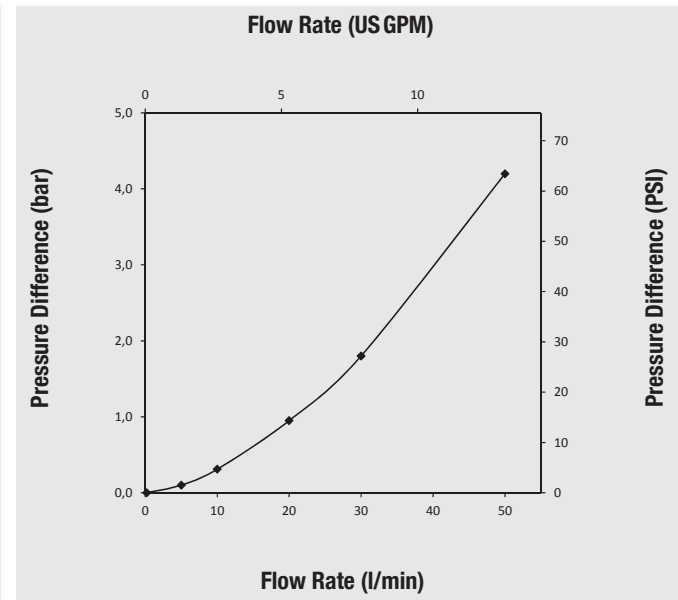
NBR (Buna-N®)



## Series HB 10 ▪ BG 2 ▪ Nominal Size 10



## Series HB 12 ▪ BG 3 ▪ Nominal Size 12,5

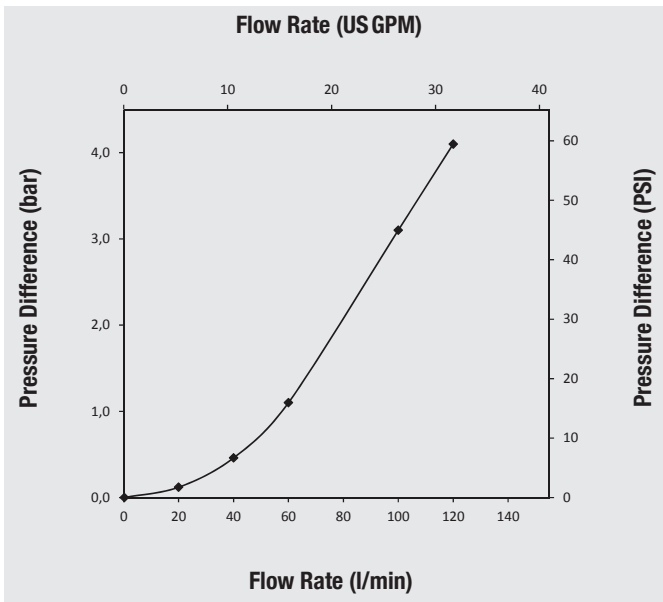


Please note: Unless otherwise stated, all flow characteristics have been determined with hydraulic oil with a kinematic viscosity of 36 mm<sup>2</sup>/s (36 cSt) and are only valid for components with non-reducing connections.

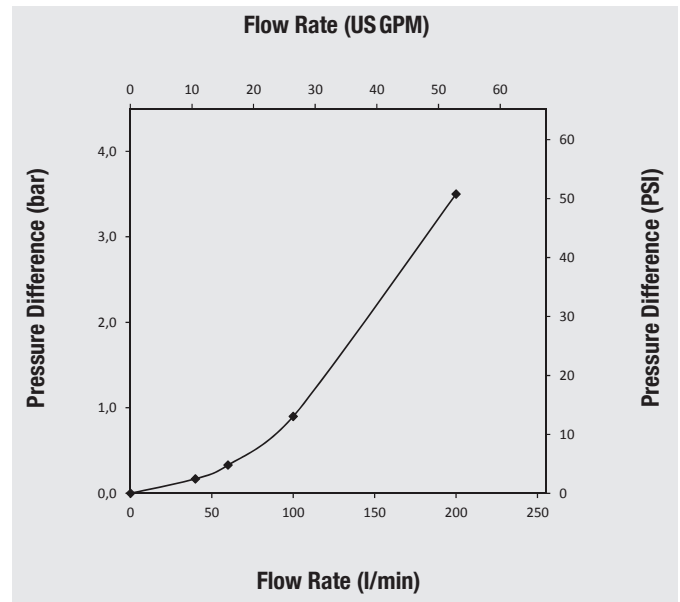
HB



**Series HB 19 ▪ BG 6 ▪ Nominal Size 19**



**Series HB 25 ▪ BG 8 ▪ Nominal Size 25**



**HB**



**Series HB 10 ▪ BG 2 ▪ Nominal Size 10**

**Working Pressure**

300 bar / 30 MPa / 4351 PSI

**Burst Pressure**

1800 bar / 180 MPa / 26107 PSI (Female Body)

1200 bar / 120 MPa / 17405 PSI (Male Tip)

1800 bar / 180 MPa / 26107 PSI (Connected)

The indicated pressure ratings only apply to the coupling itself and depend on the connection type.

**Material**

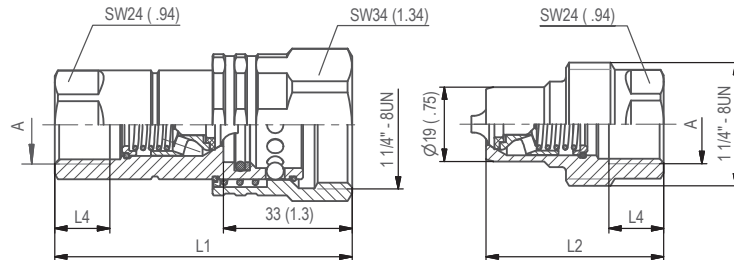
Steel

**Surface Finishing**

Zinc-Plating and Thick-Film-Passivation (Chrome III)

**Standard Seal Material(s)**

NBR (Buna-N®)



SW: Width across flats. All dimensions in mm (inch). Drawing similar series HB 12.

	Port A	Dimensions ( <sup>mm</sup> / <sub>in</sub> )				Female Body		Weight	Male Tip		Weight
		ØD2	L1	L2	L3	L4 min	VOSWINKEL Part Numbers	( <sup>g</sup> / <sub>oz</sub> ) ca.	VOSWINKEL Part Numbers	( <sup>g</sup> / <sub>oz</sub> ) ca.	
							STAUFF Ordering Codes	per pc.	STAUFF Ordering Codes	per pc.	
Female Thread according to DIN 3852 - ANSI B 1.20.3											
	G 3/8"	72	40,5		12	HB10-1-IGF06	235	HB10-2-IGF06	95		
		2.83	1.59		0.47	QRC-HB-10-F-G06-BT-W66I	517.00	QRC-HB-10-M-G06-B-W66I	209.00		
	NPTF 3/8" -18	72	40,5			HB10-1-INF06	236	HB10-2-INF06	96		
		2.83	1.59			QRC-HB-10-F-NF06-BT-W66I	519.20	QRC-HB-10-M-NF06-B-W66I	211.20		

HB



**Series HB 12 ▪ BG 3 ▪ Nominal Size 12,5**
**Working Pressure**

300 bar / 30 MPa / 4351 PSI

**Burst Pressure**

1600 bar / 160 MPa / 23206 PSI (Female Body)

1000 bar / 100 MPa / 14504 PSI (Male Tip)

1600 bar / 160 MPa / 23206 PSI (Connected)

The indicated pressure ratings only apply to the coupling itself and depend on the connection type.

**Material**

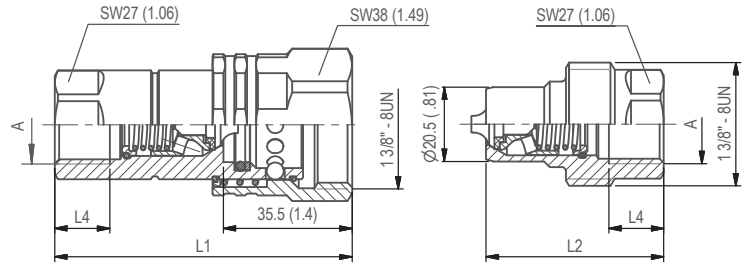
Steel

**Surface Finishing**

Zinc-Plating and Thick-Film-Passivation (Chrome III)

**Standard Seal Material(s)**

NBR (Buna-N®)



SW: Width across flats. All dimensions in mm (inch).

Port A	Dimensions ( <sup>mm</sup> / <sub>in</sub> )				Female Body		Weight	Male Tip		Weight
	ØD2	L1	L2	L3	L4 min	VOSWINKEL Part Numbers	( <sup>g</sup> / <sub>oz</sub> ) ca.	VOSWINKEL Part Numbers	( <sup>g</sup> / <sub>oz</sub> ) ca.	
Female Thread according to DIN 3852 - ANSI B 1.20.3						STAUFF Ordering Codes	per pc.	STAUFF Ordering Codes	per pc.	
	G 1/2"	82	49		14	HB12-1-IGF08	320	HB12-2-IGF08	140	
		3.23	1.93		0.55	QRC-HB-12-F-G08-BT-W66I	704.00	QRC-HB-12-M-G08-B-W66I	308.00	
	NPTF 1/2" -14	82	49			HB12-1-INF08	322	HB12-2-INF08	142	
		3.23	1.93			QRC-HB-12-F-NF08-BT-W66I	708.40	QRC-HB-12-M-NF08-B-W66I	312.40	

**HB**


**Series HB 19 ▪ BG 6 ▪ Nominal Size 19**

**Working Pressure**

250 bar / 25 MPa / 3626 PSI

**Burst Pressure**

1000 bar / 100 MPa / 14504 PSI (Female Body)

1000 bar / 100 MPa / 14504 PSI (Male Tip)

1300 bar / 130 MPa / 18855 PSI (Connected)

The indicated pressure ratings only apply to the coupling itself and depend on the connection type.

**Material**

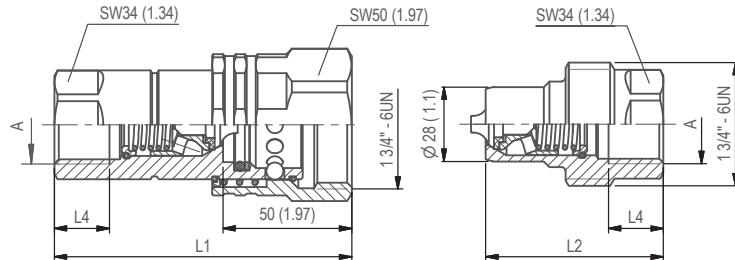
Steel

**Surface Finishing**

Zinc-Plating and Thick-Film-Passivation (Chrome III)

**Standard Seal Material(s)**

NBR (Buna-N®)



SW: Width across flats. All dimensions in mm (inch). Drawing similar series HB 12.

Port A	Dimensions (mm/in)				Female Body		Weight	Male Tip		Weight
	ØD2	L1	L2	L3	L4 min	VOSWINKEL Part Numbers	( <sup>g</sup> / <sub>oz</sub> ) ca.	VOSWINKEL Part Numbers	( <sup>g</sup> / <sub>oz</sub> ) ca.	
	Female Thread according to DIN 3852 - ANSI B 1.20.3					STAUFF Ordering Codes	per pc.	STAUFF Ordering Codes	per pc.	
	G 3/4"	105	62		16	HB19-1-IGF12	688	HB19-2-IGF12	263	
		4.13	2.44		0.63	QRC-HB-19-F-G12-BT-W66I	1513.60	QRC-HB-19-M-G12-B-W66I	578.60	
	NPFT 3/4" -14	105	62			HB19-1-INF12	693	HB19-2-INF12	268	
		4.13	2.44			QRC-HB-19-F-NF12-BT-W66I	1524.60	QRC-HB-19-M-NF12-B-W66I	589.60	





**Series HB 25 ▪ BG 8 ▪ Nominal Size 25**
**Working Pressure**

230 bar / 23 MPa / 3336 PSI

**Burst Pressure**

900 bar / 90 MPa / 14504 PSI (Female Body)

600 bar / 60 MPa / 8702 PSI (Male Tip)

700 bar / 70 MPa / 10153 PSI (Connected)

The indicated pressure ratings only apply to the coupling itself and depend on the connection type.

**Material**

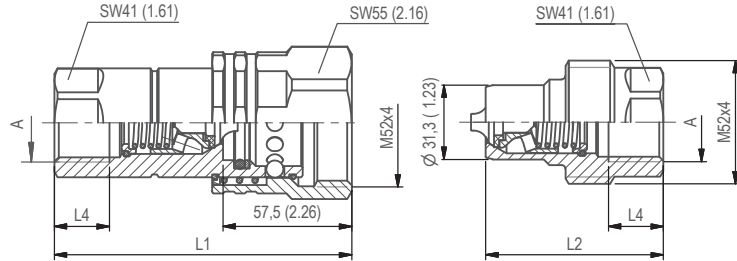
Steel

**Surface Finishing**

Zinc-Plating and Thick-Film-Passivation (Chrome III)

**Standard Seal Material(s)**

NBR (Buna-N®)

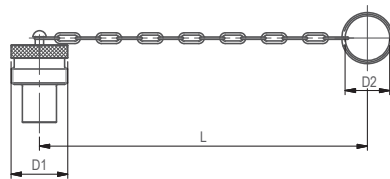
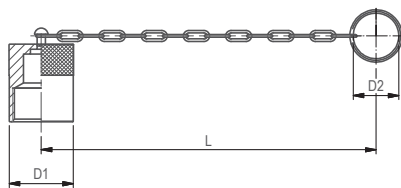


SW: Width across flats. All dimensions in mm (inch). Drawing similar series HB 12.

Port A	Dimensions (mm/in)				Female Body		Weight	Male Tip		Weight
	ØD2	L1	L2	L3	L4 min	VOSWINKEL Part Numbers STAUFF Ordering Codes	( <sup>g</sup> /oz) ca. per pc.	VOSWINKEL Part Numbers STAUFF Ordering Codes	( <sup>g</sup> /oz) ca. per pc.	
Female Thread according to DIN 3852 - ANSI B 1.20.3										
	G 1"	123,5	73		18	HB25-1-IGF16	956	HB25-2-IGF16	410	
		4.86	2.87		0.71	QRC-HB-25-F-G16-BT-W66I	2103.20	QRC-HB-25-M-G16-B-W66I	902.00	
	NPTF 1" -11 1/2	123,5	73			HB25-1-INF16	963	HB25-2-INF16	417	
		4.86	2.87			QRC-HB-25-F-NF16-BT-W66I	2118.60	QRC-HB-25-M-NF16-B-W66I	917.40	



Series HB ▪ Dust Protection



Dimensions (mm/in)			Material	Dust Cap for Male Tip	
D1	D2	L		VOSWINKEL Part Numbers	STAUFF Ordering Codes
34	30	240	Aluminium with chain	HH10-0-SI001	
1.34	1.18	9.45		QRC-HH-10-DM-30/CN-W89I-SI	
38	30	240	Aluminium with chain	HH12-0-SI001	
1.50	1.18	9.45		QRC-HH-12-DM-30/CN-W89I-SI	
48	41	290	Aluminium with chain	HH19-0-SI001	
1.89	1.61	11.42		QRC-HH-19-DM-41/CN-W89I-SI	
58	48	300	Aluminium with chain	HH25-0-SI001	
2.28	1.89	11.81		QRC-HH-25-DM-48/CN-W89I-SI	

Dimensions (mm/in)			Material	Dust Plug for Female Body	
D1	D2	L		VOSWINKEL Part Numbers	STAUFF Ordering Codes
34	30	240	Aluminium with chain	HH10-9-SI001	
1.34	1.18	9.45		QRC-HH-10-DF-30/CN-W89I-SI	
34	30	240	Aluminium with chain	HH12-9-SI001	
1.34	1.18	9.45		QRC-HH-12-DF-30/CN-W89I-SI	
53	48	300	Aluminium with chain	HH19-9-SI001	
2.09	1.89	11.81		QRC-HH-19-DF-48/CN-W89I-SI	
53	41	290	Aluminium with chain	HH25-9-SI001	
2.09	1.61	11.42		QRC-HH-25-DF-41/CN-W89I-SI	

HB



Series HH ▪ Characteristics	224 - 225	Series HH 51 ▪ BG 14 ▪ Nominal Size 51	232
Series HH 10 ▪ BG 2 ▪ Nominal Size 10	226	Series HH ▪ Dust Protection	233
Series HH 12 ▪ BG 3 ▪ Nominal Size 12,5	227		
Series HH 19 ▪ BG 6 ▪ Nominal Size 19	228		
Series HH 25 ▪ BG 8 ▪ Nominal Size 25	229		
Series HH 31 ▪ BG 10 ▪ Nominal Size 31	230		
Series HH 38 ▪ BG 12 ▪ Nominal Size 38	231		


**HH**


### Series HH ▪ Characteristics

**Description**

- Screw-to-connect coupling
- Valve design: double shut-off
- Connection under pressure: permissible (both for male or female side)

**Working Pressure**

210 ... 650 bar / 21 ... 65 MPa / 3045 ... 9425 PSI

The indicated pressure ratings only apply to the coupling itself and depend on the connection type.

**Working Temperature**

-25° C ... +100° C / -13° F ... +212° F

**Material**

Steel

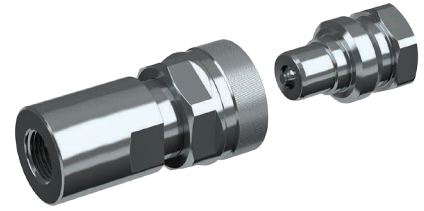
**Surface Finishing**

Zinc-Plating and Thick-Film-Passivation (Chrome III)

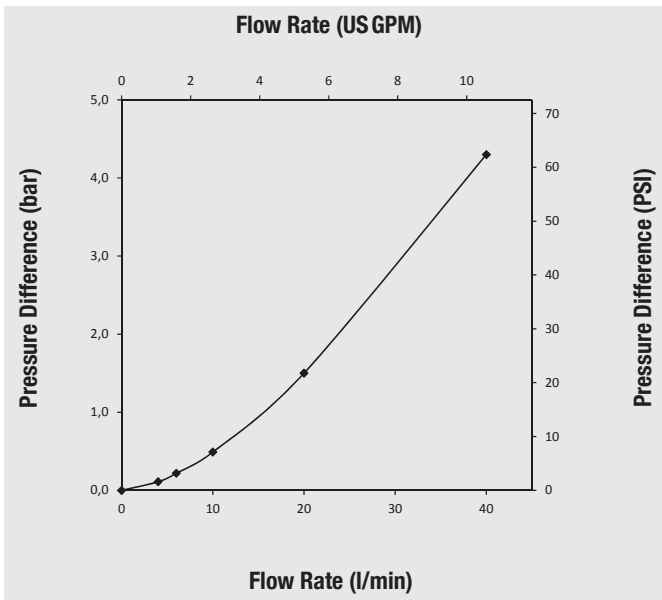
**Standard Seal Material(s)**

NBR (Buna-N®)

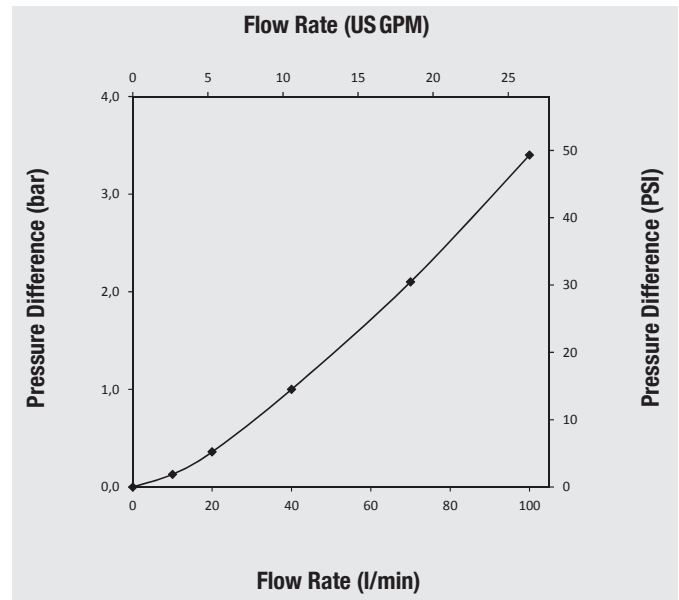
Dust Protections are available on request.



### Series HH 10 ▪ BG 2 ▪ Nominal Size 10



### Series HH 12 ▪ BG 3 ▪ Nominal Size 12

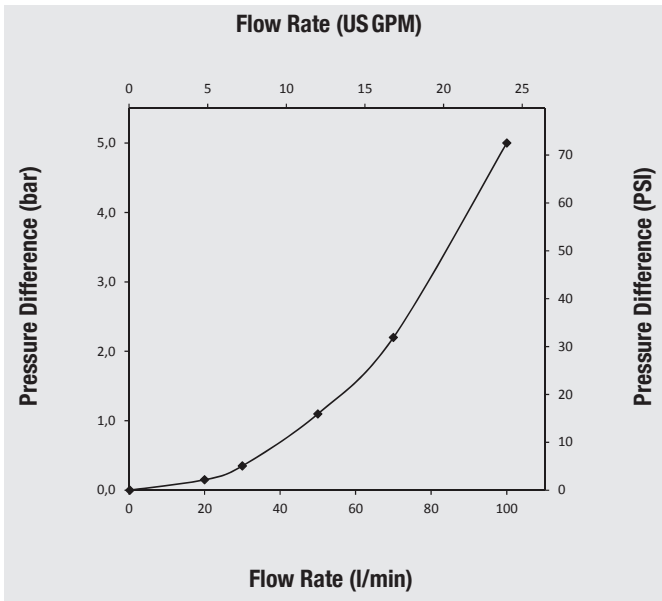


Please note: Unless otherwise stated, all flow characteristics have been determined with hydraulic oil with a kinematic viscosity of 36 mm²/s (36 cSt) and are only valid for components with non-reducing connections.

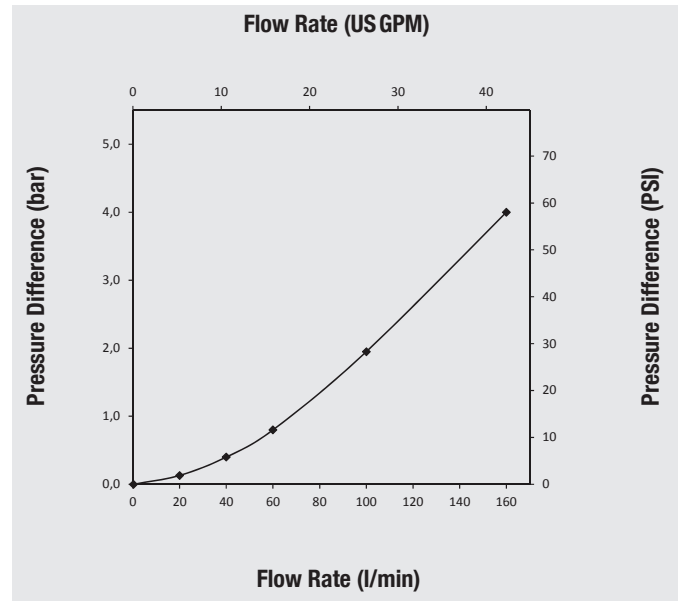
HH



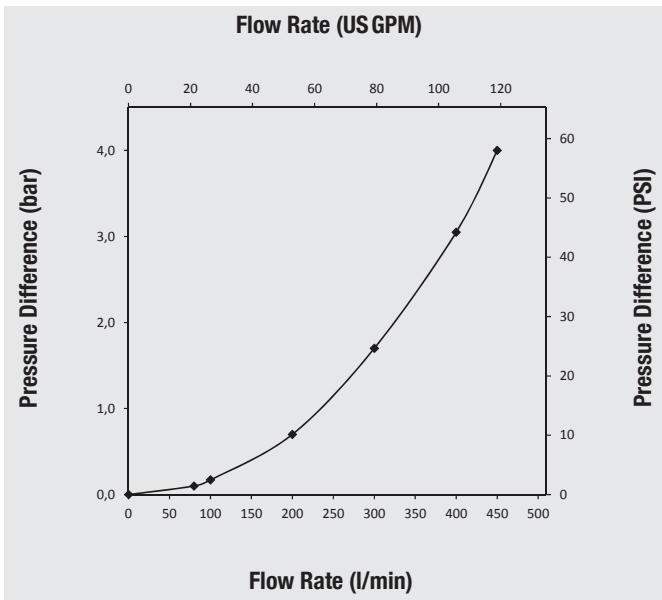
**Series HH 19 ▪ BG 6 ▪ Nominal Size 19**



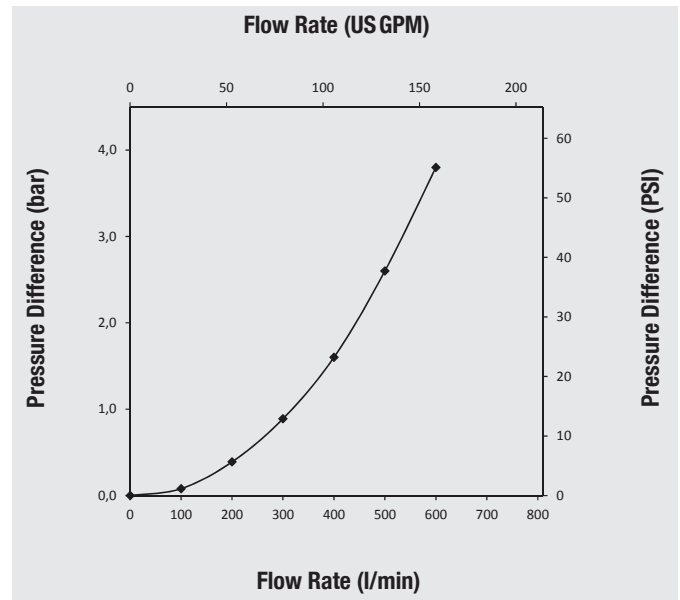
**Series HH 25 ▪ BG 8 ▪ Nominal Size 25**



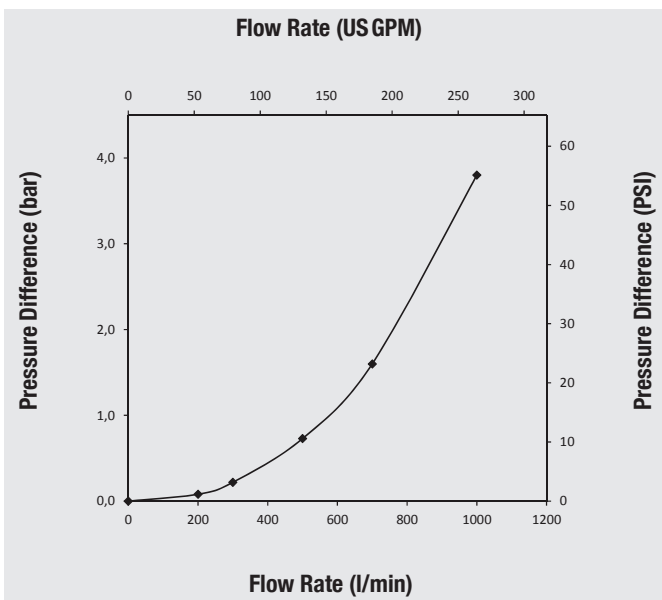
**Series HH 31 ▪ BG 10 ▪ Nominal Size 31**



**Series HH 38 ▪ BG 12 ▪ Nominal Size 38**



**Series HH 51 ▪ BG 14 ▪ Nominal Size 51**



HH



**Series HH 10 ▪ BG 2 ▪ Nominal Size 10**

**Working Pressure**

650 bar / 65 MPa / 9428 PSI

**Burst Pressure**

3000 bar / 300 MPa / 43512 PSI (Female Body)

3000 bar / 300 MPa / 43512 PSI (Male Tip)

3000 bar / 300 MPa / 43512 PSI (Connected)

The indicated pressure ratings only apply to the coupling itself and depend on the connection type.

**Material**

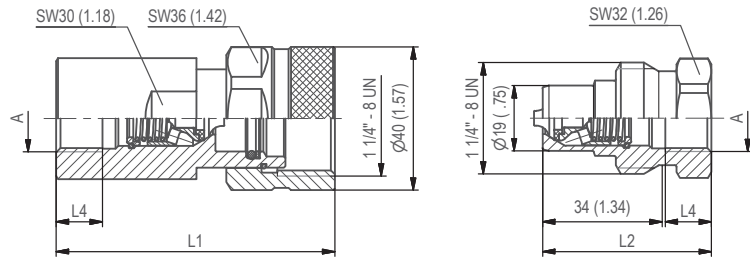
Steel

**Surface Finishing**

Zinc-Plating and Thick-Film-Passivation (Chrome III)

**Standard Seal Material(s)**

NBR (Buna-N®)



SW: Width across flats. All dimensions in mm (inch). Drawing similar series HH 12.

Port A	Dimensions (mm/in)				Female Body		Weight	Male Tip		Weight
	ØD2	L1	L2	L3	L4 min	VOSWINKEL Part Numbers	( <sup>g</sup> /oz) ca.	VOSWINKEL Part Numbers	( <sup>g</sup> /oz) ca.	
Female Thread according to DIN 3852 - ANSI B 1.20.3						STAUFF Ordering Codes	per pc.	STAUFF Ordering Codes	per pc.	
	G 3/8"	76	48		12	HH10-1-IGF06	344	HH10-2-IGF06	155	
		2.99	1.89		0.47	QRC-HH-10-F-G06-BT-W66I	756.80	QRC-HH-10-M-G06-B-W66I	341.00	
	NPTF 3/8" -18	76	48			HH10-1-INF06	346	HH10-2-INF06	157	
		2.99	1.89			QRC-HH-10-F-NF06-BT-W66I	761.20	QRC-HH-10-M-NF06-B-W66I	345.40	

HH





**Series HH 12 ▪ BG 3 ▪ Nominal Size 12,5**
**Working Pressure**

600 bar / 60 MPa / 8702 PSI

**Burst Pressure**

2700 bar / 270 MPa / 39161 PSI (Female Body)

2500 bar / 250 MPa / 36260 PSI (Male Tip)

2200 bar / 220 MPa / 31909 PSI (Connected)

The indicated pressure ratings only apply to the coupling itself and depend on the connection type.

**Material**

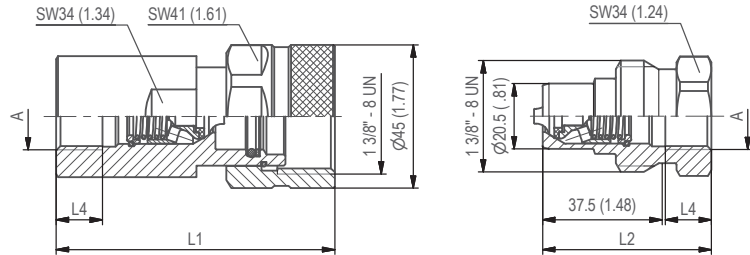
Steel

**Surface Finishing**

Zinc-Plating and Thick-Film-Passivation (Chrome III)

**Standard Seal Material(s)**

NBR (Buna-N®)



SW: Width across flats. All dimensions in mm (inch).

Port A	Dimensions (mm/in)				Female Body		Weight ( <sup>g</sup> / <sub>oz</sub> ) ca. per pc.	Male Tip		Weight ( <sup>g</sup> / <sub>oz</sub> ) ca. per pc.
	ØD2	L1	L2	L3	L4 min	VOSWINKEL Part Numbers STAUFF Ordering Codes		VOSWINKEL Part Numbers STAUFF Ordering Codes		
<b>Female Thread according to DIN 3852 - ANSI B 1.20.3</b>										
	G 1/2"	87 3.43	53 2.09		14 0.55	HH12-1-IGF08 QRC-HH-12-F-G08-BT-W66I	576 1267.20	HH12-2-IGF08 QRC-HH-12-M-G08-B-W66I	177 389.40	
	NPTF 1/2" -14	87 3.43	53 2.09			HH12-1-INF08 QRC-HH-12-F-NF08-BT-W66I	582 1280.40	HH12-2-INF08 QRC-HH-12-M-NF08-B-W66I	180 396.00	

**HH**


**Series HH 19 ▪ BG 6 ▪ Nominal Size 19**

**Working Pressure**

500 bar / 50 MPa / 7252 PSI

**Burst Pressure**

2600 bar / 260 MPa / 37710 PSI (Female Body)

2400 bar / 240 MPa / 34810 PSI (Male Tip)

2100 bar / 210 MPa / 30458 PSI (Connected)

The indicated pressure ratings only apply to the coupling itself and depend on the connection type.

**Material**

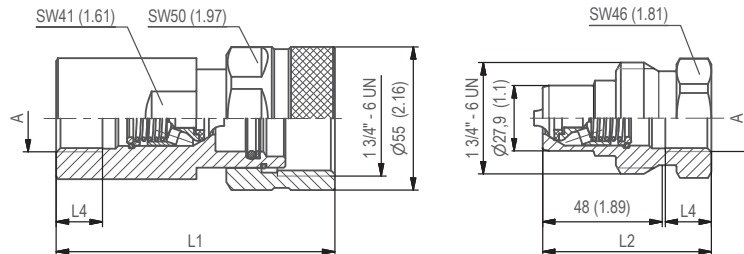
Steel

**Surface Finishing**

Zinc-Plating and Thick-Film-Passivation (Chrome III)

**Standard Seal Material(s)**

NBR (Buna-N®)



SW: Width across flats. All dimensions in mm (inch). Drawing similar series HH 12.

Port A	Dimensions (mm/in)				Female Body		Weight ( <sup>g</sup> / <sub>oz</sub> ) ca. per pc.	Male Tip		Weight ( <sup>g</sup> / <sub>oz</sub> ) ca. per pc.
	ØD2	L1	L2	L3	L4 min	VOSWINKEL Part Numbers STAUFF Ordering Codes		VOSWINKEL Part Numbers STAUFF Ordering Codes		
Female Thread according to DIN 3852 - ANSI B 1.20.3										
	G 3/4"	106	63		16	HH19-1-IGF12	988	HH19-2-IGF12	364	
		4.17	2.48		0.63	QRC-HH-19-F-G12-BT-W66I	2173.60	QRC-HH-19-M-G12-B-W66I	800.80	
	NPFT 3/4" -14	106	63			HH19-1-INF12	997	HH19-2-INF12	373	
		4.17	2.48			QRC-HH-19-F-NF12-BT-W66I	2193.40	QRC-HH-19-M-NF12-B-W66I	820.60	

HH



**Series HH 25 ▪ BG 8 ▪ Nominal Size 25**
**Working Pressure**

460 bar / 46 MPa / 6672 PSI

**Burst Pressure**

2600 bar / 260 MPa / 37710 PSI (Female Body)

2300 bar / 230 MPa / 33359 PSI (Male Tip)

2000 bar / 200 MPa / 29008 PSI (Connected)

The indicated pressure ratings only apply to the coupling itself and depend on the connection type.

**Material**

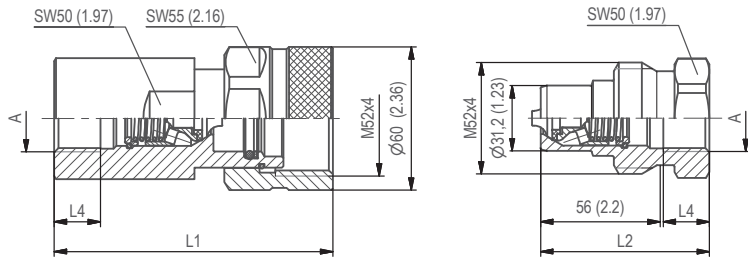
Steel

**Surface Finishing**

Zinc-Plating and Thick-Film-Passivation (Chrome III)

**Standard Seal Material(s)**

NBR (Buna-N®)



SW: Width across flats. All dimensions in mm (inch). Drawing similar series HH 12.

Port A	Dimensions (mm/in)				Female Body		Weight ( <sup>g</sup> / <sub>oz</sub> ) ca. per pc.	Male Tip		Weight ( <sup>g</sup> / <sub>oz</sub> ) ca. per pc.
	ØD2	L1	L2	L3	L4 min	VOSWINKEL Part Numbers STAUFF Ordering Codes		VOSWINKEL Part Numbers STAUFF Ordering Codes		
Female Thread according to DIN 3852 - ANSI B 1.20.3										
	G 1"	123	72		18	HH25-1-IGF16	1403	HH25-2-IGF16	532	
		4.84	2.83		0.71	QRC-HH-25-F-G16-BT-W66I	3086.60	QRC-HH-25-M-G16-B-W66I	1170.40	
	NPTF 1" -11 1/2	123	72			HH25-1-INF16	1481	HH25-2-INF16	540	
		4.84	2.83			QRC-HH-25-F-NF16-BT-W66I	3258.20	QRC-HH-25-M-NF16-B-W66I	1188.00	



**Series HH 31 ▪ BG 10 ▪ Nominal Size 31**

**Working Pressure**

360 bar / 36 MPa / 5221 PSI

**Burst Pressure**

1500 bar / 150 MPa / 21756 PSI (Female Body)

1500 bar / 150 MPa / 21756 PSI (Male Tip)

1500 bar / 150 MPa / 21756 PSI (Connected)

The indicated pressure ratings only apply to the coupling itself and depend on the connection type.

**Material**

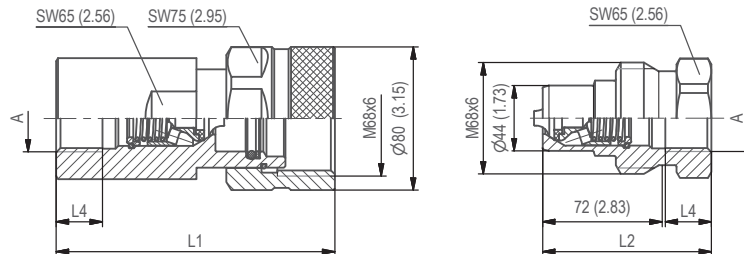
Steel

**Surface Finishing**

Zinc-Plating and Thick-Film-Passivation (Chrome III)

**Standard Seal Material(s)**

NBR (Buna-N®)



SW: Width across flats. All dimensions in mm (inch). Drawing similar series HH 12.

Port A	Dimensions (mm/in)				Female Body		Weight	Male Tip		Weight
	ØD2	L1	L2	L3	L4 min	VOSWINKEL Part Numbers STAUFF Ordering Codes	( <sup>g</sup> /oz) ca. per pc.	VOSWINKEL Part Numbers STAUFF Ordering Codes	( <sup>g</sup> /oz) ca. per pc.	
Female Thread according to DIN 3852 - ANSI B 1.20.3										
	G 1 1/4"	153	86		20	HH31-1-IGF20	2870	HH31-2-IGF20	1050	
		6.02	3.39		0.79	QRC-HH-31-F-G20-BT-W66I	6314.00	QRC-HH-31-M-G20-B-W66I	2310.00	
	NPTF 1 1/4" -11 1/2	153	86			HH31-1-INF20	2950	HH31-2-INF20	1092	
		6.02	3.39			QRC-HH-31-F-NF20-BT-W66I	6490.00	QRC-HH-31-M-NF20-B-W66I	2402.40	

HH



**Series HH 38 ▪ BG 12 ▪ Nominal Size 38**
**Working Pressure**

360 bar / 36 MPa / 5221 PSI

**Burst Pressure**

1500 bar / 150 MPa / 21756 PSI (Female Body)

1200 bar / 120 MPa / 17405 PSI (Male Tip)

1500 bar / 150 MPa / 21756 PSI (Connected)

The indicated pressure ratings only apply to the coupling itself and depend on the connection type.

**Material**

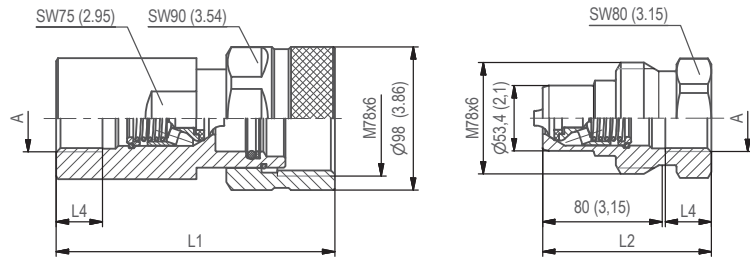
Steel

**Surface Finishing**

Zinc-Plating and Thick-Film-Passivation (Chrome III)

**Standard Seal Material(s)**

NBR (Buna-N®)



SW: Width across flats. All dimensions in mm (inch). Drawing similar series HH 12.

Port A	Dimensions (mm/in)				Female Body		Weight	Male Tip		Weight
	ØD2	L1	L2	L3	L4 min	VOSWINKEL Part Numbers STAUFF Ordering Codes	( <sup>g</sup> /oz) ca. per pc.	VOSWINKEL Part Numbers STAUFF Ordering Codes	( <sup>g</sup> /oz) ca. per pc.	
Female Thread according to DIN 3852 - ANSI B 1.20.3										
	G 1 1/2"	172	95		22	HH38-1-IGF24	4440	HH38-2-IGF24	1700	
		6.77	3.74		0.87	QRC-HH-38-F-G24-BT-W66I	9768.00	QRC-HH-38-M-G24-B-W66I	3740.00	
	NPTF 1 1/2" -11 1/2	172	95			HH38-1-INF24	4470	HH38-2-INF24	1720	
		6.77	3.74			QRC-HH-38-F-NF24-BT-W66I	9834.00	QRC-HH-38-M-NF24-B-W66I	3784.00	



**Series HH 51 ▪ BG 14 ▪ Nominal Size 51**

**Working Pressure**

210 bar / 21 MPa / 3046 PSI

**Burst Pressure**

1300 bar / 130 MPa / 18855 PSI (Female Body)

1300 bar / 130 MPa / 18855 PSI (Male Tip)

1050 bar / 105 MPa / 15229 PSI (Connected)

The indicated pressure ratings only apply to the coupling itself and depend on the connection type.

**Material**

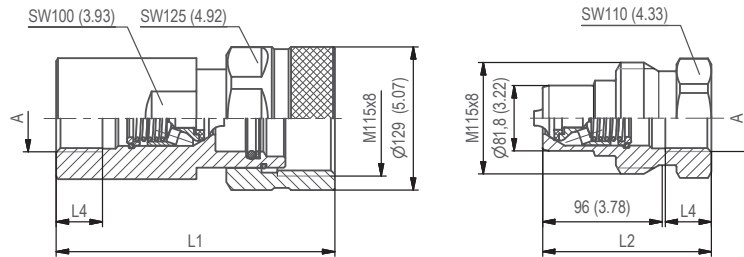
Steel

**Surface Finishing**

Zinc-Plating and Thick-Film-Passivation (Chrome III)

**Standard Seal Material(s)**

NBR (Buna-N®)



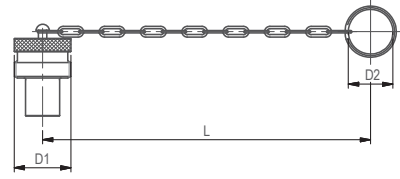
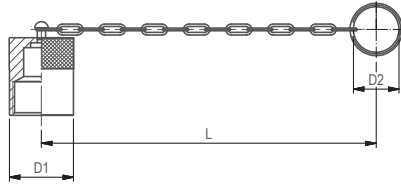
SW: Width across flats. All dimensions in mm (inch). Drawing similar series HH 12.

Port A	Dimensions (mm/in)				Female Body		Weight	Male Tip		Weight
	ØD2	L1	L2	L3	L4 min	VOSWINKEL Part Numbers	( <sup>g</sup> / <sub>oz</sub> ) ca.	VOSWINKEL Part Numbers	( <sup>g</sup> / <sub>oz</sub> ) ca.	
Female Thread according to DIN 3852 - ANSI B 1.20.3						STAUFF Ordering Codes	per pc.	STAUFF Ordering Codes	per pc.	
	G 2"	205	118		24	HH51-1-IGF32	8670	HH51-2-IGF32	4930	
		8.07	4.65		0.94	QRC-HH-51-F-G32-BT-W66I	19074.00	QRC-HH-51-M-G32-B-W66I	10846.00	
	NPTF 2" -11 1/2	205	118			HH51-1-INF32	8920	HH51-2-INF32	5070	
		8.07	4.65			QRC-HH-51-F-NF32-BT-W66I	19624.00	QRC-HH-51-M-NF32-B-W66I	11154.00	

HH



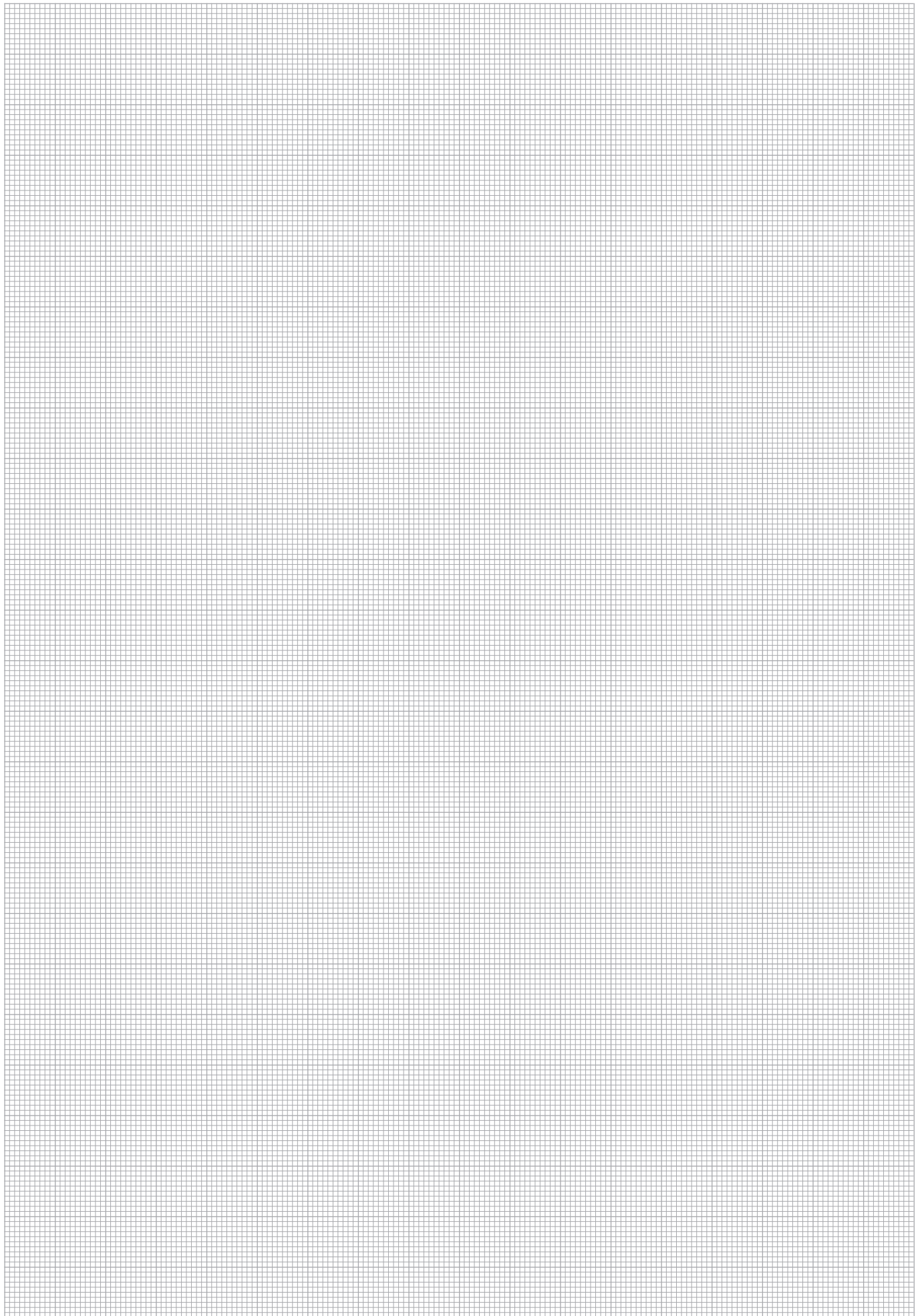


**Series HH • Dust Protection**


Dimensions (mm/in)			Material	Dust Cap for Male Tip	
D1	D2	L		VOSWINKEL Part Numbers	STAUFF Ordering Codes
34	30	240	Aluminium with chain	HH10-0-SI001	QRC-HH-10-DM-30/CN-W89I-SI
1.34	1.18	9.45		HH12-0-SI001	QRC-HH-12-DM-30/CN-W89I-SI
38	30	240	Aluminium with chain	HH19-0-SI001	QRC-HH-19-DM-41/CN-W89I-SI
1.50	1.18	9.45		HH25-0-SI001	QRC-HH-25-DM-48/CN-W89I-SI
48	41	290	Aluminium with chain	HH31-0-SI001	QRC-HH-31-DM-48/CN-W89I-SI
1.89	1.61	11.42		HH38-0-SI001	QRC-HH-38-DM-46/CN-W89I-SI
58	48	300	Aluminium with chain	HH51-0-SI001	QRC-HH-51-DM-46/CN-W89I-SI
2.28	1.89	11.81			
81	48	400	Aluminium with chain		
3.19	1.89	15.75			
85	46	260	Aluminium with chain		
3.35	1.81	10.24			
100	46	300	Aluminium with chain		
3.94	1.81	11.81			

Dimensions (mm/in)			Material	Dust Plug for Female Body	
D1	D2	L		VOSWINKEL Part Numbers	STAUFF Ordering Codes
34	30	240	Aluminium with chain	HH10-9-SI001	QRC-HH-10-DF-30/CN-W89I-SI
1.34	1.18	9.45		HH12-9-SI001	QRC-HH-12-DF-30/CN-W89I-SI
34	30	240	Aluminium with chain	HH19-9-SI001	QRC-HH-19-DF-48/CN-W89I-SI
1.34	1.18	9.45		HH25-9-SI001	QRC-HH-25-DF-41/CN-W89I-SI
53	48	300	Aluminium with chain	HH31-9-SI001	QRC-HH-31-DF-48/CN-W89I-SI
2.09	1.89	11.81		HH38-9-SI001	QRC-HH-38-DF-46/CN-W89I-SI
53	41	290	Aluminium with chain	HH51-9-SI001	QRC-HH-51-DF-46/CN-W89I-SI
2.09	1.61	11.42			
71	48	400	Aluminium with chain		
2.80	1.89	15.75			
98	46	210	Aluminium with chain		
3.86	1.81	8.27			
115	46	270	Aluminium with chain		
4.53	1.81	10.63			





HH



Series HH-VA ▪ Characteristics	236 - 237	Series HH 51-VA ▪ BG 14 ▪ Nominal Size 51	244
Series HH 10-VA ▪ BG 2 ▪ Nominal Size 10	238	Series HH-VA ▪ Dust Protection	245
Series HH 12-VA ▪ BG 3 ▪ Nominal Size 12,5	239		
Series HH 19-VA ▪ BG 6 ▪ Nominal Size 19	240		
Series HH 25-VA ▪ BG 8 ▪ Nominal Size 25	241		
Series HH 31-VA ▪ BG 10 ▪ Nominal Size 31	242		
Series HH 38-VA ▪ BG 12 ▪ Nominal Size 38	243		



**HH-VA**



### Series HH-VA ▪ Characteristics

**Description**

- Screw-to-connect coupling
- Valve design: double shut-off
- Connection under pressure: permissible (both for male or female side)

**Working Pressure**

210 ... 900 bar / 21 ... 90 MPa / 3045 ... 13050 PSI

The indicated pressure ratings only apply to the coupling itself and depend on the connection type.

**Working Temperature**

-25° C ... +200° C / -13° F ... +392° F

**Material**

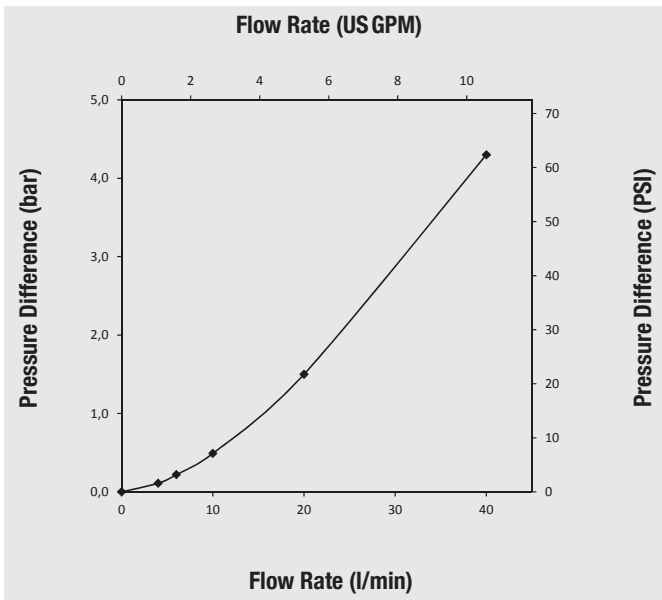
Stainless Steel V4A (AISI 316)

**Standard Seal Material(s)**

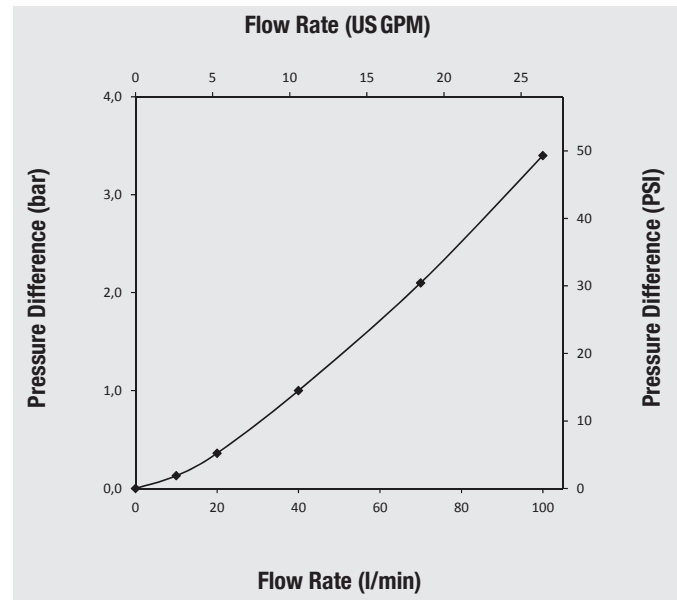
FKM (Viton®)



### Series HH 10-VA ▪ BG 2 ▪ Nominal Size 10



### Series HH 12-VA ▪ BG 3 ▪ Nominal Size 12

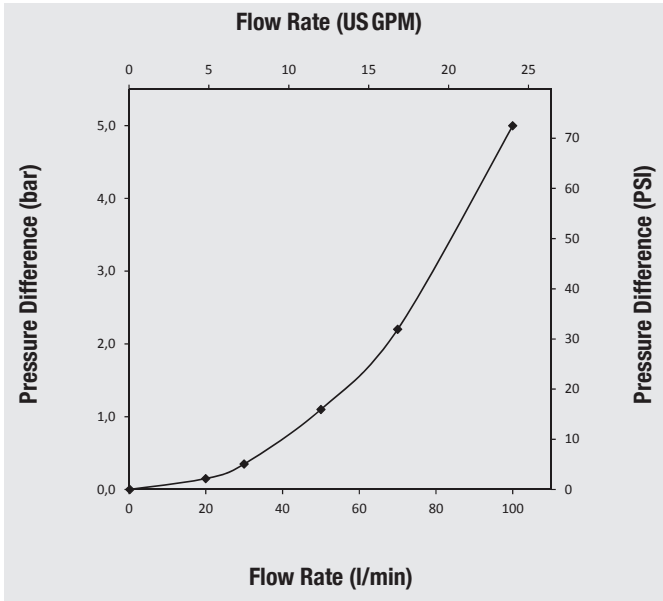


**HH-VA**

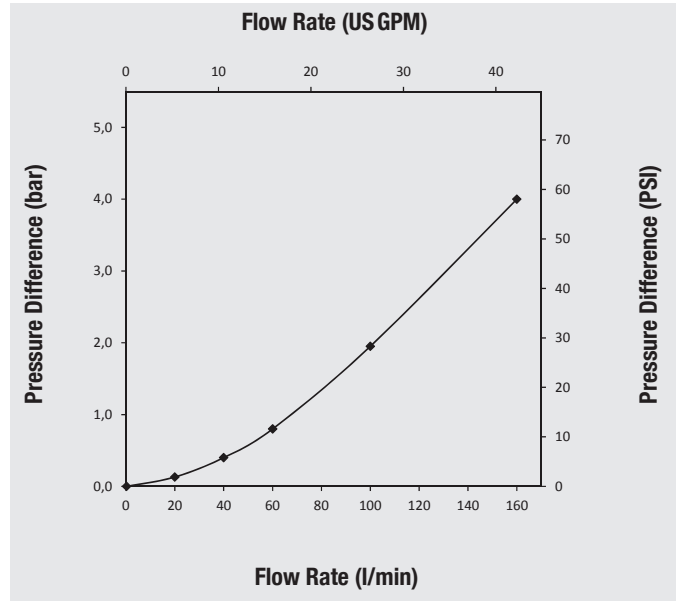
Please note: Unless otherwise stated, all flow characteristics have been determined with hydraulic oil with a kinematic viscosity of 36 mm<sup>2</sup>/s (36 cSt) and are only valid for components with non-reducing connections.



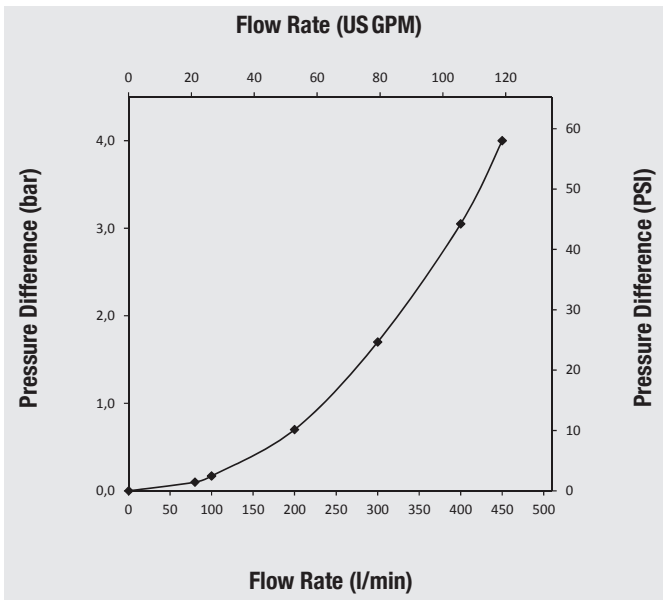
**Series HH 19-VA • BG 6 • Nominal Size 19**



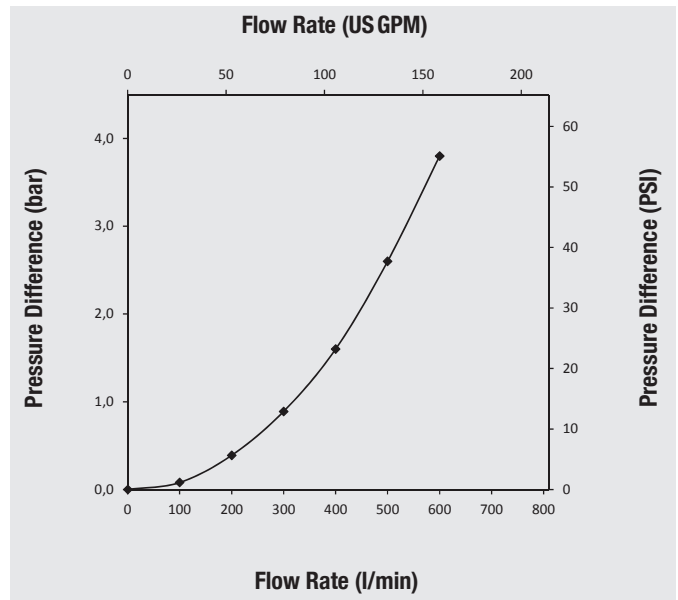
**Series HH 25-VA • BG 8 • Nominal Size 25**



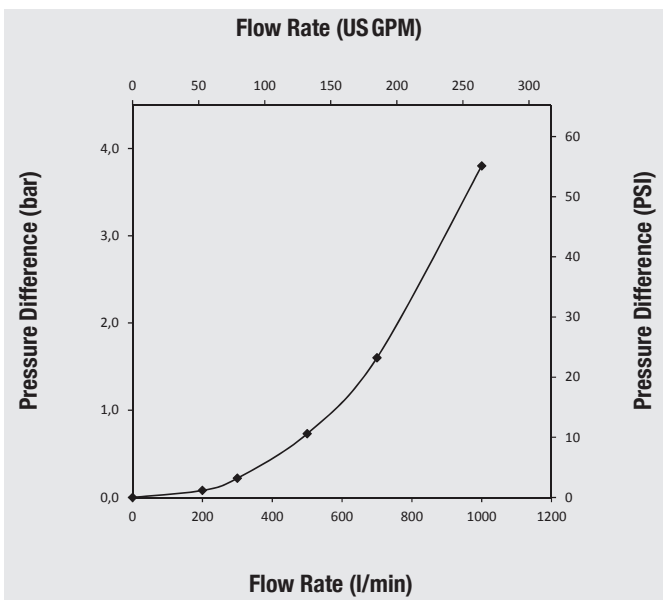
**Series HH 31-VA • BG 10 • Nominal Size 31**



**Series HH 38-VA • BG 12 • Nominal Size 38**



**Series HH 51-VA • BG 14 • Nominal Size 51**



HH-VA



**Series HH 10-VA ▪ BG 2 ▪ Nominal Size 10**

**Working Pressure**

650 bar / 65 MPa / 9428 PSI

**Burst Pressure**

2000 bar / 200 MPa / 29008 PSI (Female Body)

2300 bar / 230 MPa / 33359 PSI (Male Tip)

2600 bar / 260 MPa / 37710 PSI (Connected)

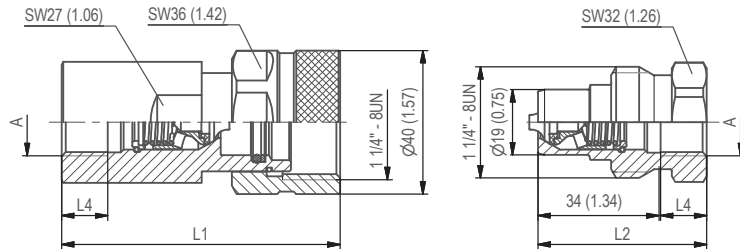
The indicated pressure ratings only apply to the coupling itself and depend on the connection type.

**Material**

Stainless Steel V4A (AISI 316)

**Standard Seal Material(s)**

FKM (Viton®)



SW: Width across flats. All dimensions in mm (inch). Drawing similar series HH 12-VA.

Port A	Dimensions (mm/in)	Female Body				Weight ( <sup>g</sup> / <sub>oz</sub> ) ca. per pc.	Male Tip		Weight ( <sup>g</sup> / <sub>oz</sub> ) ca. per pc.
		ØD2	L1	L2	L3		VOSWINKEL Part Numbers	VOSWINKEL Part Numbers	
Female Thread according to DIN 3852 - ANSI B 1.20.3									
	G 3/8"	76	48		12	HH10-1-IGF06-VA	344	HH10-2-IGF06-VA	155
		2.99	1.89		0.47	QRC-HH-10-F-G06-VT-W5I	756.80	QRC-HH-10-M-G06-V-W5I	341.00
	NPTF 3/8" -18	76	48			HH10-1-INF06-VA	346	HH10-2-INF06-VA	157
		2.99	1.89			QRC-HH-10-F-NF06-VT-W5I	761.20	QRC-HH-10-M-NF06-V-W5I	345.40





**Series HH 12-VA ▪ BG 3 ▪ Nominal Size 12,5**
**Working Pressure**

600 bar / 60 MPa / 8702 PSI

**Burst Pressure**

2700 bar / 270 MPa / 39161 PSI (Female Body)

2100 bar / 210 MPa / 30458 PSI (Male Tip)

2500 bar / 250 MPa / 36260 PSI (Connected)

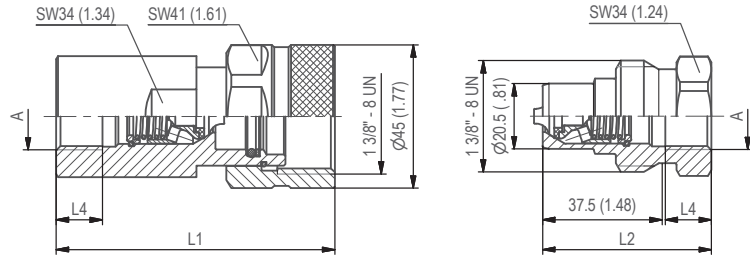
The indicated pressure ratings only apply to the coupling itself and depend on the connection type.

**Material**

Stainless Steel V4A (AISI 316)

**Standard Seal Material(s)**

FKM (Viton®)



SW: Width across flats. All dimensions in mm (inch).

Port A	Dimensions (mm/in)				Female Body		Weight ( <sup>g</sup> / <sub>oz</sub> ) ca. per pc.	Male Tip		Weight ( <sup>g</sup> / <sub>oz</sub> ) ca. per pc.
	ØD2	L1	L2	L3	L4 min	VOSWINKEL Part Numbers STAUFF Ordering Codes		VOSWINKEL Part Numbers STAUFF Ordering Codes		
Female Thread according to DIN 3852 - ANSI B 1.20.3										
	G 1/2"	87	53		14	HH12-1-IGF08-VA	576	HH12-2-IGF08-VA	177	
		3.43	2.09		0.55	QRC-HH-12-F-G08-VT-W5I	1267.20	QRC-HH-12-M-G08-V-W5I	389.40	
	NPTF 1/2" -14	87	53			HH12-1-INF08-VA	582	HH12-2-INF08-VA	180	
		3.43	2.09			QRC-HH-12-F-NF08-VT-W5I	1280.40	QRC-HH-12-M-NF08-V-W5I	396.00	



**Series HH 19-VA • BG 6 • Nominal Size 19**

**Working Pressure**

500 bar / 50 MPa / 7252 PSI

**Burst Pressure**

1700 bar / 170 MPa / 24657 PSI (Female Body)

2100 bar / 210 MPa / 30458 PSI (Male Tip)

2400 bar / 240 MPa / 34810 PSI (Connected)

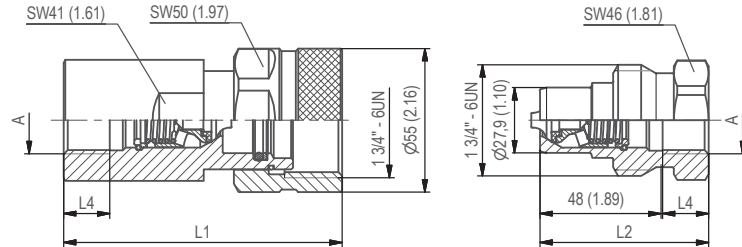
The indicated pressure ratings only apply to the coupling itself and depend on the connection type.

**Material**

Stainless Steel V4A (AISI 316)

**Standard Seal Material(s)**

FKM (Viton®)



SW: Width across flats. All dimensions in mm (inch). Drawing similar series HH 12-VA.

Port A	Dimensions (mm/in)	Female Body				Weight ( <sup>g</sup> / <sub>oz</sub> ) ca. per pc.	Male Tip		Weight ( <sup>g</sup> / <sub>oz</sub> ) ca. per pc.
		ØD2	L1	L2	L3		VOSWINKEL Part Numbers	VOSWINKEL Part Numbers	
					L4 min		STAUFF Ordering Codes		STAUFF Ordering Codes
Female Thread according to DIN 3852 - ANSI B 1.20.3									
	G 3/4"	106	63		16	HH19-1-IGF12-VA	988	HH19-2-IGF12-VA	364
		4.17	2.48		0.63	QRC-HH-19-F-G12-VT-W5I	2173.60	QRC-HH-19-M-G12-V-W5I	800.80
	NPFT 3/4" -14	106	63			HH19-1-INF12-VA	997	HH19-2-INF12-VA	373
		4.17	2.48			QRC-HH-19-F-NF12-VT-W5I	2193.40	QRC-HH-19-M-NF12-V-W5I	820.60



**Series HH 25-VA • BG 8 • Nominal Size 25**
**Working Pressure**

460 bar / 46 MPa / 6672 PSI

**Burst Pressure**

1900 bar / 190 MPa / 27558 PSI (Female Body)

1600 bar / 160 MPa / 23206 PSI (Male Tip)

1500 bar / 150 MPa / 21756 PSI (Connected)

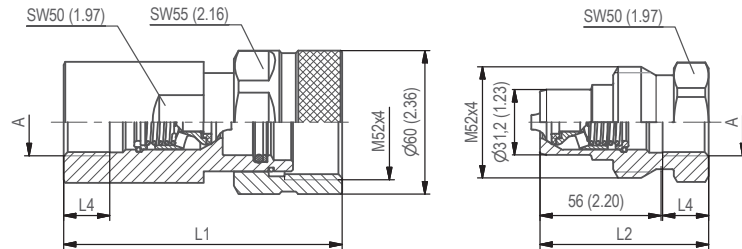
The indicated pressure ratings only apply to the coupling itself and depend on the connection type.

**Material**

Stainless Steel V4A (AISI 316)

**Standard Seal Material(s)**

FKM (Viton®)



SW: Width across flats. All dimensions in mm (inch). Drawing similar series HH 12-VA.

Port A	Dimensions (mm/in)				Female Body		Weight ( <sup>g</sup> / <sub>oz</sub> ) ca. per pc.	Male Tip		Weight ( <sup>g</sup> / <sub>oz</sub> ) ca. per pc.
	ØD2	L1	L2	L3	L4 min	VOSWINKEL Part Numbers STAUFF Ordering Codes		VOSWINKEL Part Numbers STAUFF Ordering Codes		
Female Thread according to DIN 3852 - ANSI B 1.20.3										
	G 1"	123	72		18	HH25-1-IGF16-VA	1465	HH25-2-IGF16-VA	524	
		4.84	2.83		0.71	QRC-HH-25-F-G16-VT-W5I	3223.00	QRC-HH-25-M-G16-V-W5I	1152.80	
	NPTF 1" -11 1/2	123	72			HH25-1-INF16-VA	1481	HH25-2-INF16-VA	540	
		4.84	2.83			QRC-HH-25-F-NF16-VT-W5I	3258.20	QRC-HH-25-M-NF16-V-W5I	1188.00	



**Series HH 31-VA ▪ BG 10 ▪ Nominal Size 31**

**Working Pressure**

360 bar / 36 MPa / 5221 PSI

**Burst Pressure**

1000 bar / 100 MPa / 14504 PSI (Female Body)

1000 bar / 100 MPa / 14504 PSI (Male Tip)

1000 bar / 100 MPa / 14504 PSI (Connected)

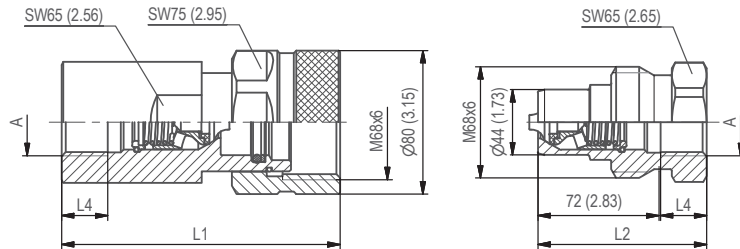
The indicated pressure ratings only apply to the coupling itself and depend on the connection type.

**Material**

Stainless Steel V4A (AISI 316)

**Standard Seal Material(s)**

FKM (Viton®)



SW: Width across flats. All dimensions in mm (inch). Drawing similar series HH 12-VA.

Port A	Dimensions (mm/in)				Female Body		Weight ( <sup>g</sup> / <sup>oz</sup> ) ca. per pc.	Male Tip		Weight ( <sup>g</sup> / <sup>oz</sup> ) ca. per pc.
	ØD2	L1	L2	L3	L4 min	VOSWINKEL Part Numbers STAUFF Ordering Codes		VOSWINKEL Part Numbers STAUFF Ordering Codes		
Female Thread according to DIN 3852 - ANSI B 1.20.3										
	G 1 1/4"	153	86		20	HH31-1-IGF20-VA	2933	HH31-2-IGF20-VA	1074	
		6.02	3.39		0.79	QRC-HH-31-F-G20-VT-W5I	6452.60	QRC-HH-31-M-G20-V-W5I	2362.80	
	NPTF 1 1/4" -1 1/2	153	86			HH31-1-INF20-VA	2950	HH31-2-INF20-VA	1092	
		6.02	3.39			QRC-HH-31-F-NF20-VT-W5I	6490.00	QRC-HH-31-M-NF20-V-W5I	2402.40	



**Series HH 38-VA ▪ BG 12 ▪ Nominal Size 38**
**Working Pressure**

360 bar / 36 MPa / 5221 PSI

**Burst Pressure**

900 bar / 90 MPa / 13054 PSI (Female Body)

900 bar / 90 MPa / 13054 PSI (Male Tip)

900 bar / 90 MPa / 13054 PSI (Connected)

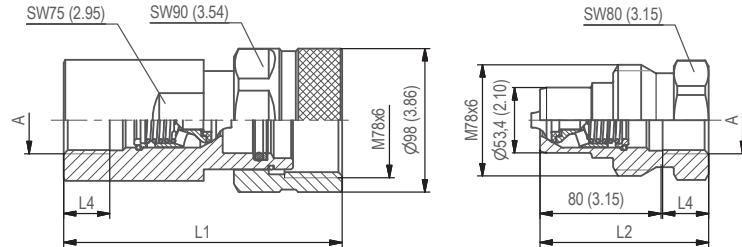
The indicated pressure ratings only apply to the coupling itself and depend on the connection type.

**Material**

Stainless Steel V4A (AISI 316)

**Standard Seal Material(s)**

FKM (Viton®)



SW: Width across flats. All dimensions in mm (inch). Drawing similar series HH 12-VA.

Port A	Dimensions (mm/in)	Female Body				Weight ( <sup>g</sup> / <sub>oz</sub> ) ca. per pc.	Male Tip		Weight ( <sup>g</sup> / <sub>oz</sub> ) ca. per pc.
		ØD2	L1	L2	L3		VOSWINKEL Part Numbers	VOSWINKEL Part Numbers	
					L4 min	STAUFF Ordering Codes	STAUFF Ordering Codes		
Female Thread according to DIN 3852 - ANSI B 1.20.3									
	G 1 1/2"	172	95		22	HH38-1-IGF24-VA	4550	HH38-2-IGF24-VA	1734
		6.77	3.74		0.87	QRC-HH-38-F-G24-VT-W5I	10010.00	QRC-HH-38-M-G24-V-W5I	3814.80
	NPTF 1 1/2" -11 1/2	172	95			HH38-1-INF24-VA	4570	HH38-2-INF24-VA	1730
		6.77	3.74			QRC-HH-38-F-NF24-VT-W5I	10054.00	QRC-HH-38-M-NF24-V-W5I	3806.00



**Series HH 51-VA ▪ BG 14 ▪ Nominal Size 51**

**Working Pressure**

210 bar / 21 MPa / 3046 PSI

**Burst Pressure**

500 bar / 50 MPa / 7252 PSI (Female Body)

500 bar / 50 MPa / 7252 PSI (Male Tip)

500 bar / 50 MPa / 7252 PSI (Connected)

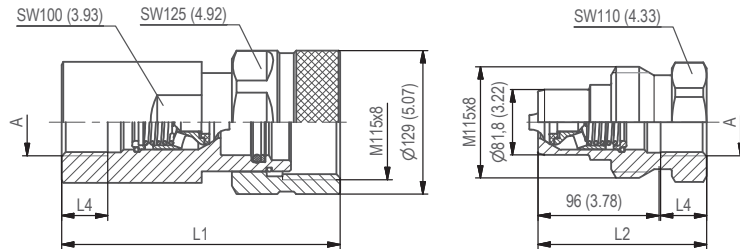
The indicated pressure ratings only apply to the coupling itself and depend on the connection type.

**Material**

Stainless Steel V4A (AISI 316)

**Standard Seal Material(s)**

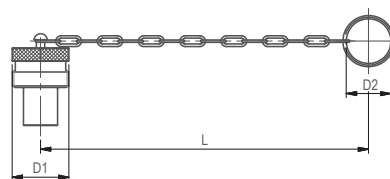
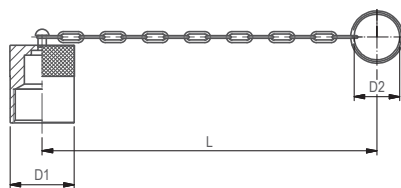
FKM (Viton®)



SW: Width across flats. All dimensions in mm (inch). Drawing similar series HH 12-VA.

Port A	Dimensions (mm/in)	Female Body				Weight ( <sup>g</sup> / <sub>oz</sub> ) ca. per pc.	Male Tip		Weight ( <sup>g</sup> / <sub>oz</sub> ) ca. per pc.
		ØD2	L1	L2	L3		VOSWINKEL Part Numbers	VOSWINKEL Part Numbers	
					L4 min	STAUFF Ordering Codes	STAUFF Ordering Codes		
Female Thread according to DIN 3852 - ANSI B 1.20.3									
	G 2"	205	118		24	HH51-1-IGF32-VA	8880	HH51-2-IGF32-VA	5030
		8.07	4.65		0.94	QRC-HH-51-F-G32-VT-W5I	19536.00	QRC-HH-51-M-G32-V-W5I	11066.00
	NPTF 2" - 11 1/2	205	118			HH51-1-INF32-VA	8920	HH51-2-INF32-VA	5070
		8.07	4.65			QRC-HH-51-F-NF32-VT-W5I	19624.00	QRC-HH-51-M-NF32-V-W5I	11154.00



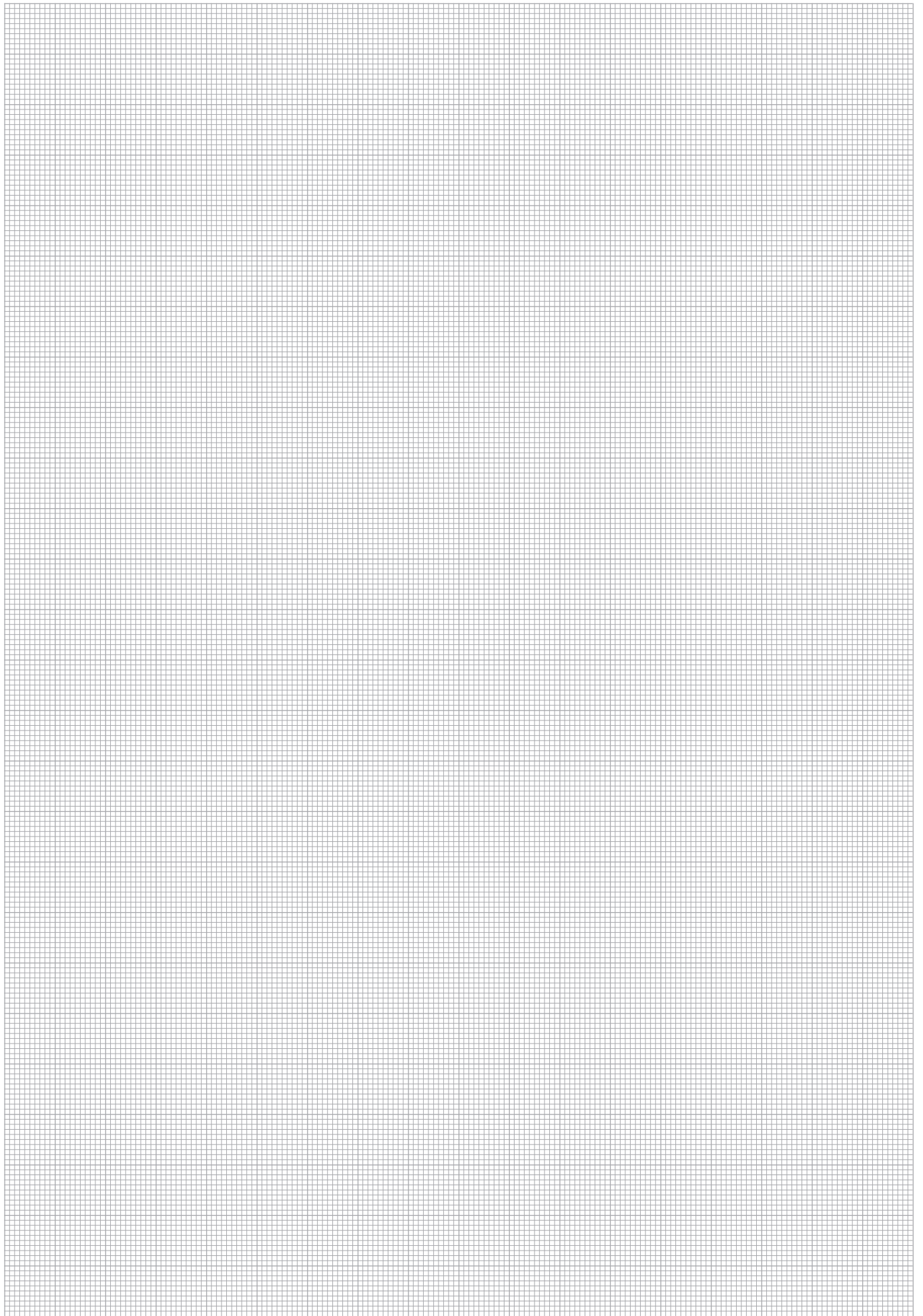
**Series HH-VA • Dust Protection**


Dimensions (mm/in)			Material	Dust Cap for Male Tip	
D1	D2	L		VOSWINKEL Part Numbers	STAUFF Ordering Codes
34	30	240	Aluminium with chain	HH10-0-SI001	QRC-HH-10-DM-30/CN-W89I-SI
1.34	1.18	9.45		HH12-0-SI001	QRC-HH-12-DM-30/CN-W89I-SI
38	30	240	Aluminium with chain	HH19-0-SI001	QRC-HH-19-DM-41/CN-W89I-SI
1.50	1.18	9.45		HH25-0-SI001	QRC-HH-25-DM-48/CN-W89I-SI
48	41	290	Aluminium with chain	HH31-0-SI001	QRC-HH-31-DM-48/CN-W89I-SI
1.89	1.61	11.42		HH38-0-SI001	QRC-HH-38-DM-46/CN-W89I-SI
58	48	300	Aluminium with chain	HH51-0-SI001	QRC-HH-51-DM-46/CN-W89I-SI
2.28	1.89	11.81			
81	48	400	Aluminium with chain		
3.19	1.89	15.75			
85	46	260	Aluminium with chain		
3.35	1.81	10.24			
100	46	300	Aluminium with chain		
3.94	1.81	11.81			

Dimensions (mm/in)			Material	Dust Plug for Female Body	
D1	D2	L		VOSWINKEL Part Numbers	STAUFF Ordering Codes
34	30	240	Aluminium with chain	HH10-9-SI001	QRC-HH-10-DF-30/CN-W89I-SI
1.34	1.18	9.45		HH12-9-SI001	QRC-HH-12-DF-30/CN-W89I-SI
34	30	240	Aluminium with chain	HH19-9-SI001	QRC-HH-19-DF-48/CN-W89I-SI
1.34	1.18	9.45		HH25-9-SI001	QRC-HH-25-DF-41/CN-W89I-SI
53	48	300	Aluminium with chain	HH31-9-SI001	QRC-HH-31-DF-48/CN-W89I-SI
2.09	1.89	11.81		HH38-9-SI001	QRC-HH-38-DF-46/CN-W89I-SI
53	41	290	Aluminium with chain	HH51-9-SI001	QRC-HH-51-DF-46/CN-W89I-SI
2.09	1.61	11.42			
71	48	400	Aluminium with chain		
2.80	1.89	15.75			
98	46	210	Aluminium with chain		
3.86	1.81	8.27			
115	46	270	Aluminium with chain		
4.53	1.81	10.63			

**HH-VA**



HH-VA



Series FT • Characteristics	248 -249	Series FT • Dust Protection	256
Series FT 10 • BG 2 • Nominal Size 10	250		
Series FT 12 • BG 3 • Nominal Size 12	251		
Series FT 16 • BG 4 • Nominal Size 16	252		
Series FT 19 • BG 6 • Nominal Size 19	253		
Series FT 25 • BG 8 • Nominal Size 25	254		
Series FT 32 • BG 10 • Nominal Size 32	255		



FT



### Series FT • Characteristics

**Description**

The FT series is a screw-on type coupling for safety and reliable connections for applications in critical and strong areas. This type represents the further development of the VOSWINKEL FH series and combines all the advantages of the FH series of flat-face quick release coupling.

For example the zinc/nickel surface coating and the environment-friendly construction of the flat-designed valve unit. Thereby the coupling has extremely small leakage. Operation is possible at extreme pressures up to 550 bar / 7975 PSI (working pressure depends on size).

The main applications of the FT-series are:

- Oil and Gas Industry
  - Blowout Preventers (BOPs)
- Mobile and stationary boring installations
- Construction machinery
- High-pressure hydraulics

Tested and certified acc. API 16 D and acc. EUB Directive # 36

**Working Pressure**

400 ... 550 bar / 40 ... 55 MPa / 5800 ... 7975 PSI

**Connect under Pressure**

Can be connected under a high residual pressure on male side.

The indicated pressure ratings only apply to the coupling itself and depend on the connection type.

**Working Temperature**

-25° C ... +100° C / -13° F ... +212° F

**Material**

Steel

**Surface Finishing**

Zinc/Nickel

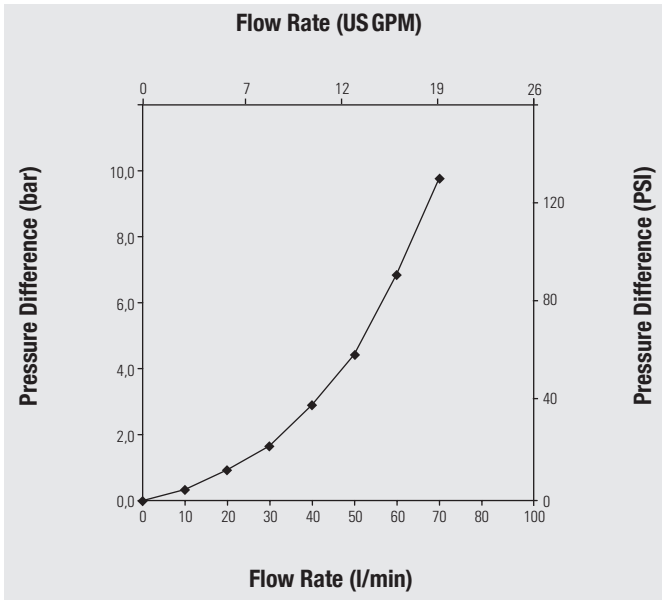
**Standard Seal Material(s)**

NBR (Buna-N®), PTFE

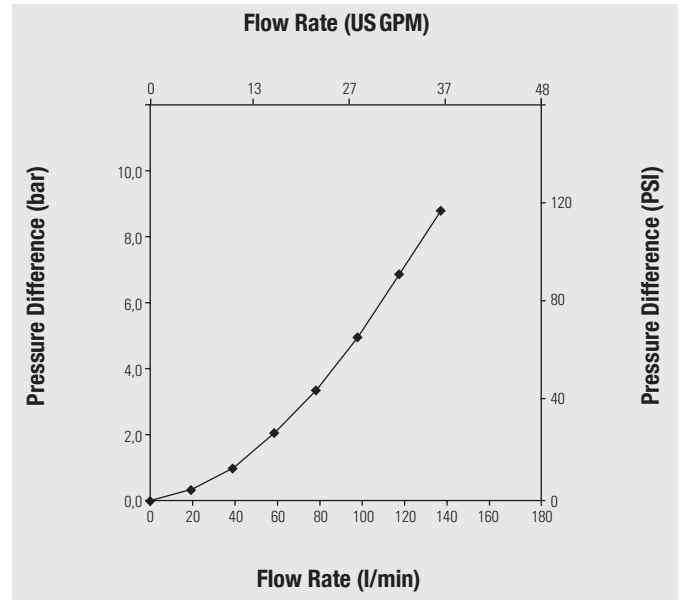
Alternative seal materials are available on request.



### Series FT 10 • BG 2 • Nominal Size 10



### Series FT 12 • BG 3 • Nominal Size 12

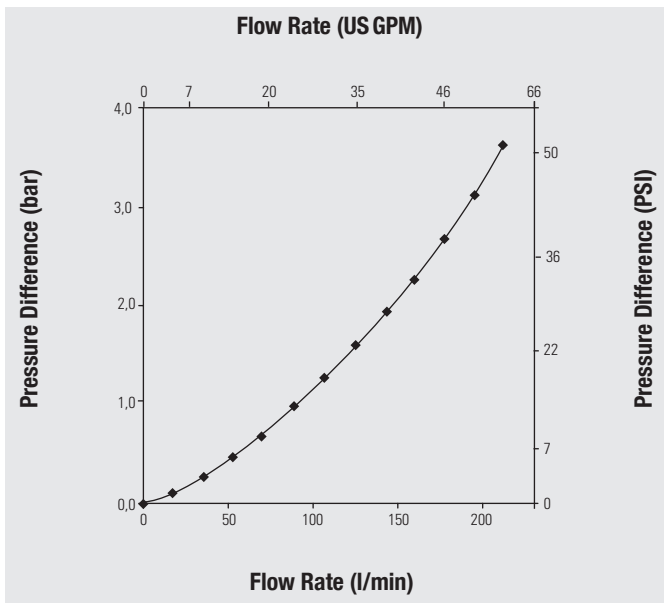


FT

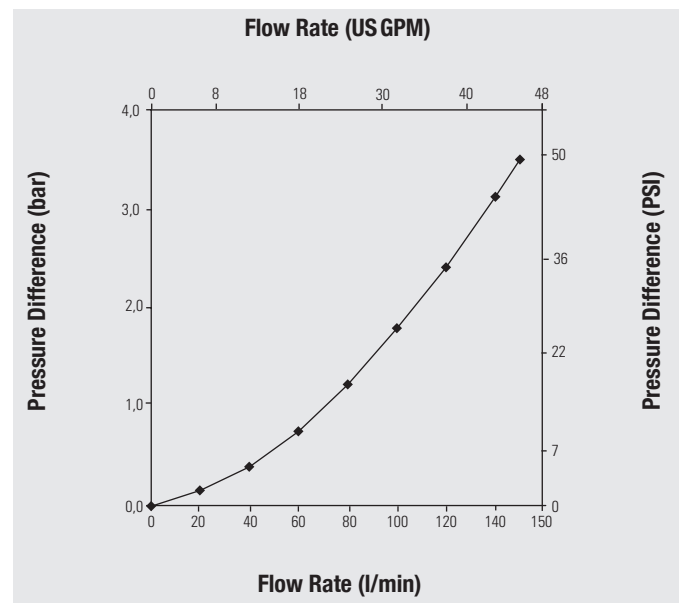
Please note: Unless otherwise stated, all flow characteristics have been determined with hydraulic oil with a kinematic viscosity of 36 mm<sup>2</sup>/s (36 cSt) and are only valid for components with non-reducing connections.



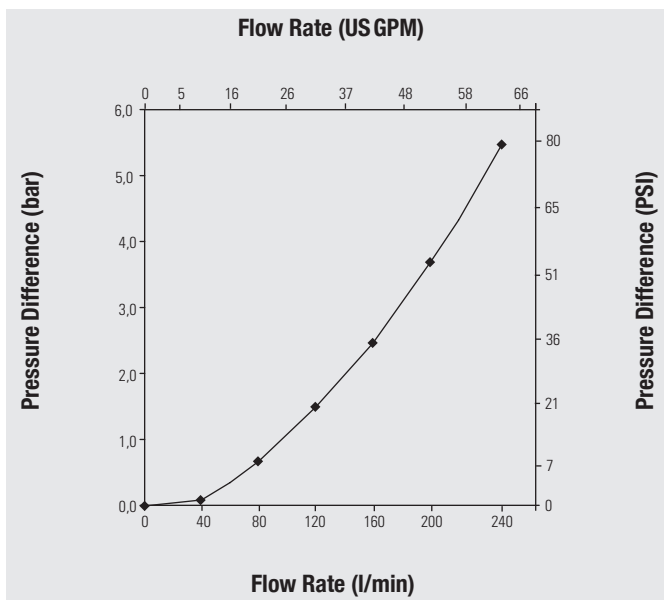
**Series FT 16 • BG 4 • Nominal Size 16**



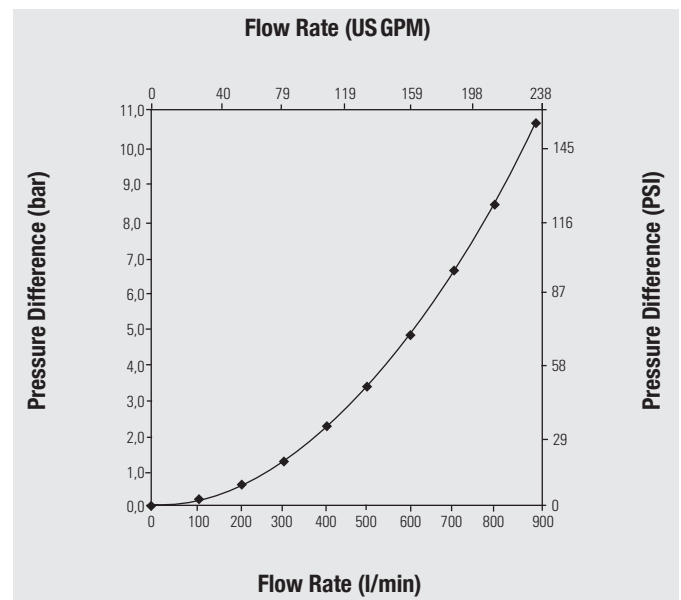
**Series FT 19 • BG 6 • Nominal Size 19**



**Series FT 25 • BG 8 • Nominal Size 25**



**Series FT 32 • BG 10 • Nominal Size 32**



**FT**



**Series FT 10 • BG 2 • Nominal Size 10**

**Working Pressure**

550 bar / 55 MPa / 7977 PSI

**Burst Pressure**

1100 bar / 110 MPa / 15954 PSI (Female Body)

1400 bar / 140 MPa / 20305 PSI (Male Tip)

1400 bar / 140 MPa / 20305 PSI (Connected)

The indicated pressure ratings only apply to the coupling itself and depend on the connection type.

**Material**

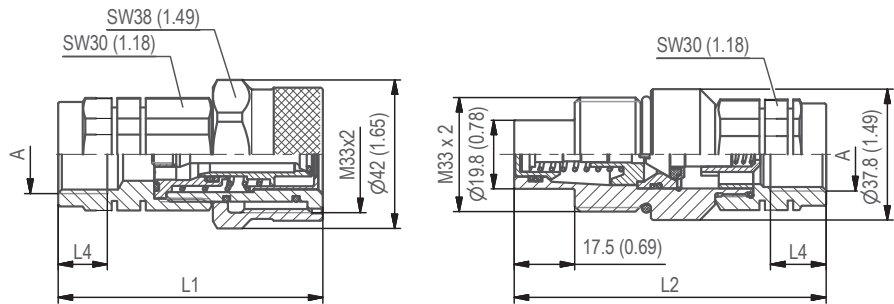
Steel

**Surface Finishing**

Zinc-Nickel

**Standard Seal Material(s)**

NBR (Buna-N®), PTFE



SW: Width across flats. All dimensions in mm (inch).

Port A	Dimensions ( <sup>mm</sup> / <sub>in</sub> )				Female Body		Weight	Male Tip		Weight
	ØD2	L1	L2	L3	L4	VOSWINKEL Part Numbers	( <sup>g</sup> / <sub>oz</sub> ) ca.	VOSWINKEL Part Numbers	( <sup>g</sup> / <sub>oz</sub> ) ca.	
						STAUFF Ordering Codes	per pc.	STAUFF Ordering Codes	per pc.	
Female Thread according to DIN 3852-2 - ANSI B 1.20.3 - SAE J1926-1										
	G 3/8"	70	87		12	FT10-1-IGF06	360	FT10-2-IGF06	384	
		2.76	3.43		.47	QRC-FT-10-F-G06-BT-W3	792.00	QRC-FT-10-M-G06-BT-W3	844.80	
	G 1/2"	75	90		14	FT10-1-IGF08	365	FT10-2-IGF08	379	
		2.95	3.54		.55	QRC-FT-10-F-G08-BT-W3	803.00	QRC-FT-10-M-G08-BT-W3	833.80	
	NPTF 3/8" -18	75	90			FT10-1-INF06	383	FT10-2-INF06	397	
		2.95	3.54			QRC-FT-10-F-NF06-BT-W3	842.60	QRC-FT-10-M-NF06-BT-W3	873.40	
	NPTF 1/2"-14	75	90			FT10-1-INF08	369	FT10-2-INF08	385	
		2.95	3.54			QRC-FT-10-F-NF08-BT-W3	811.80	QRC-FT-10-M-NF08-BT-W3	847.00	
	UNF 3/4" -16	75	87		14.3	FT10-1-IUF08	373	FT10-2-IUF08	375	
		2.95	3.43		.56	QRC-FT-10-F-U12-BT-W3	820.60	QRC-FT-10-M-U12-BT-W3	825.00	

FT





**Series FT 12 ▪ BG 3 ▪ Nominal Size 12**
**Working Pressure**

550 bar / 55 MPa / 7977 PSI

**Burst Pressure**

1000 bar / 100 MPa / 14504 PSI (Female Body)

1400 bar / 140 MPa / 20305 PSI (Male Tip)

1400 bar / 140 MPa / 20305 PSI (Connected)

The indicated pressure ratings only apply to the coupling itself and depend on the connection type.

**Material**

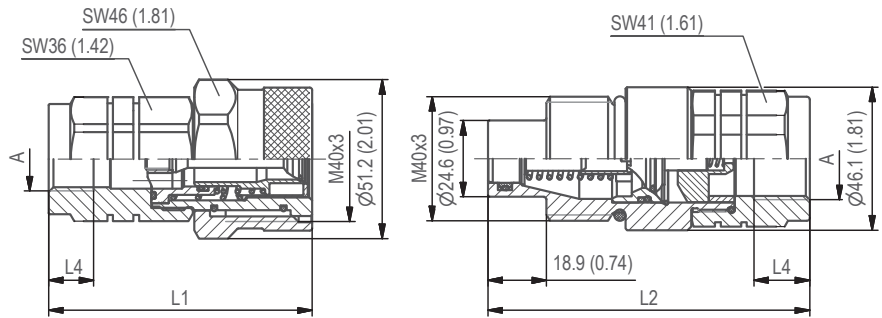
Steel

**Surface Finishing**

Zinc-Nickel

**Standard Seal Material(s)**

NBR (Buna-N®), PTFE



SW: Width across flats. All dimensions in mm (inch).

	Port A	Dimensions (mm/in)				Female Body		Weight	Male Tip		Weight	
		ØD2	L1	L2	L3	L4	VOSWINKEL Part Numbers		( <sup>g</sup> / <sub>oz</sub> ) ca.	VOSWINKEL Part Numbers		( <sup>g</sup> / <sub>oz</sub> ) ca.
							STAUFF Ordering Codes		per pc.	STAUFF Ordering Codes		per pc.
Female Thread according to DIN 3852-2 - ANSI B 1.20.3 - SAE J1926-1												
	G 1/2"	85	98		14,5	FT12-1-IGF08	657	FT12-2-IGF08	671			
		3.35	3.86		.57	QRC-FT-12-F-G08-BT-W3	1445.40	QRC-FT-12-M-G08-BT-W3	1476.20			
	G 3/4"	85	104		16	FT12-1-IGF12	625	FT12-2-IGF12	691			
		3.35	4.09		.63	QRC-FT-12-F-G12-BT-W3	1375.00	QRC-FT-12-M-G12-BT-W3	1520.20			
	NPTF 1/2" -14	85	104			FT12-1-INF08	617	FT12-2-INF08	731			
		3.35	4.09			QRC-FT-12-F-NF08-BT-W3	1357.40	QRC-FT-12-M-NF08-BT-W3	1608.20			
	NPTF 3/4" -14	85	104			FT12-1-INF12	630	FT12-2-INF12	675			
		3.35	4.09			QRC-FT-12-F-NF12-BT-W3	1386.00	QRC-FT-12-M-NF12-BT-W3	1485.00			
	UNF 3/4" -16	85	98		16	FT12-1-IUF08	658	FT12-2-IUF08	696			
		3.35	3.86		.63	QRC-FT-12-F-U12-BT-W3	1447.60	QRC-FT-12-M-U12-BT-W3	1531.20			
UNF 1" 1/16 -12	85	104		19	FT12-1-IUF12	610	FT12-2-IUF12	685				
	3.35	4.09		.75	QRC-FT-12-F-U17-BT-W3	1342.00	QRC-FT-12-M-U17-BT-W3	1507.00				



**Series FT 16 ▪ BG 4 ▪ Nominal Size 16**

**Working Pressure**

550 bar / 55 MPa / 7977 PSI

**Burst Pressure**

1000 bar / 100 MPa / 14504 PSI (Female Body)

1600 bar / 160 MPa / 23206 PSI (Male Tip)

1400 bar / 140 MPa / 20305 PSI (Connected)

The indicated pressure ratings only apply to the coupling itself and depend on the connection type.

**Material**

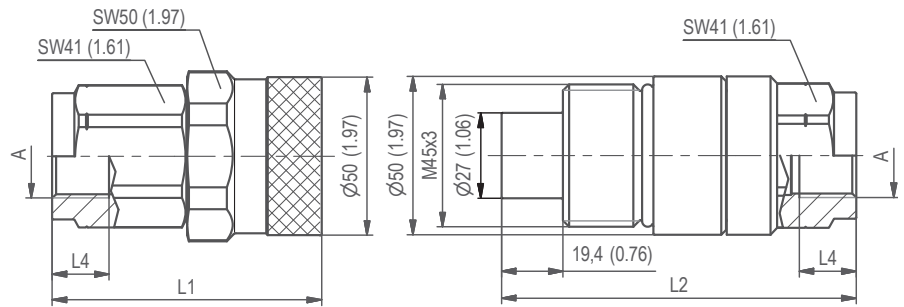
Steel

**Surface Finishing**

Zinc-Nickel

**Standard Seal Material(s)**

NBR (Buna-N®), PTFE, PU



SW: Width across flats. All dimensions in mm (inch).

	Port A	Dimensions ( <sup>mm</sup> / <sub>in</sub> )				Female Body		Weight	Male Tip		Weight
		ØD2	L1	L2	L3	L4	VOSWINKEL Part Numbers	( <sup>g</sup> / <sub>oz</sub> ) ca.	VOSWINKEL Part Numbers	( <sup>g</sup> / <sub>oz</sub> ) ca.	
							STAUFF Ordering Codes	per pc.	STAUFF Ordering Codes	per pc.	
Female Thread according to 3852-2 - ANSI B 1.20.3 - SAE J1926-1											
	G 3/4"	85	112		16	FT16-1-IGF12	803	FT16-2-IGF12	963		
		3.35	4.41		.63	QRC-FT-16-F-G12-BT-W3	1766.60	QRC-FT-16-M-G12-S2-W3	2118.60		
	G 1"	87	114		18	FT16-1-IGF16	768	FT16-2-IGF16	928		
		3.43	4.49		.71	QRC-FT-16-F-G16-BT-W3	1689.60	QRC-FT-16-M-G16-S2-W3	2041.60		
	NPTF 3/4" -14	85	112			FT16-1-INF12	798	FT16-2-INF12	969		
		3.35	4.41			QRC-FT-16-F-NF12-BT-W3	1755.60	QRC-FT-16-M-NF12-S2-W3	2131.80		
	UNF 1" 1/16 -12	85	112		19	FT16-1-IUF12	745	FT16-2-IUF12	956		
		3.35	4.41		.75	QRC-FT-16-F-U12-BT-W3	1639.00	QRC-FT-16-M-U12-S2-W3	2103.20		

FT





**Series FT 19 ▪ BG 6 ▪ Nominal Size 19**
**Working Pressure**

500 bar / 50 MPa / 7252 PSI

**Burst Pressure**

1050 bar / 105 MPa / 15229 PSI (Female Body)

1400 bar / 140 MPa / 20305 PSI (Male Tip)

1400 bar / 140 MPa / 20305 PSI (Connected)

The indicated pressure ratings only apply to the coupling itself and depend on the connection type.

**Material**

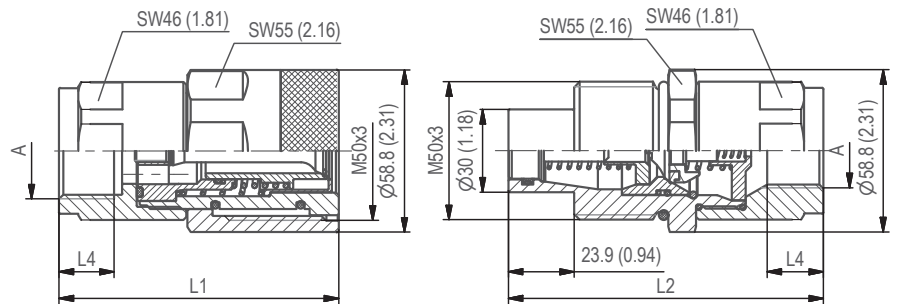
Steel

**Surface Finishing**

Zinc-Nickel

**Standard Seal Material(s)**

NBR (Buna-N®), PTFE



SW: Width across flats. All dimensions in mm (inch).

	Port A	Dimensions (mm/in)				Female Body		Weight	Male Tip		Weight
		ØD2	L1	L2	L3	L4	VOSWINKEL Part Numbers	( <sup>g</sup> /oz) ca.	VOSWINKEL Part Numbers	( <sup>g</sup> /oz) ca.	
							STAUFF Ordering Codes	per pc.	STAUFF Ordering Codes	per pc.	
Female Thread according to DIN 3852-2 - ANSI B 1.20.3 - SAE J1926-1											
	G 3/4"	101	114		16	FT19-1-IGF12	1355	FT19-2-IGF12	1061		
		3.98	4.49		.63	QRC-FT-19-F-G12-BT-W3	2981.00	QRC-FT-19-M-G12-BT-W3	2334.20		
	G 1"	101	114		18	FT19-1-IGF16	1298	FT19-2-IGF16	1014		
		3.98	4.49		.71	QRC-FT-19-F-G16-BT-W3	2855.60	QRC-FT-19-M-G16-BT-W3	2230.80		
	NPTF 1" -11 1/2	101	114			FT19-1-INF16	1320	FT19-2-INF16	1028		
		3.98	4.49			QRC-FT-19-F-NF16-BT-W3	2904.00	QRC-FT-19-M-NF16-BT-W3	2261.60		
	UNF 1" 5/16 -12	101	114		19	FT19-1-IUF16	1297	FT19-2-IUF16	1005		
		3.98	4.49		.75	QRC-FT-19-F-U21-BT-W3	2853.40	QRC-FT-19-M-U21-BT-W3	2211.00		

**FT**


**Series FT 25 ▪ BG 8 ▪ Nominal Size 25**

**Working Pressure**

470 bar / 47 MPa / 6817 PSI

**Burst Pressure**

1000 bar / 100 MPa / 14504 PSI (Female Body)

1300 bar / 130 MPa / 18855 PSI (Male Tip)

1300 bar / 130 MPa / 18855 PSI (Connected)

The indicated pressure ratings only apply to the coupling itself and depend on the connection type.

**Material**

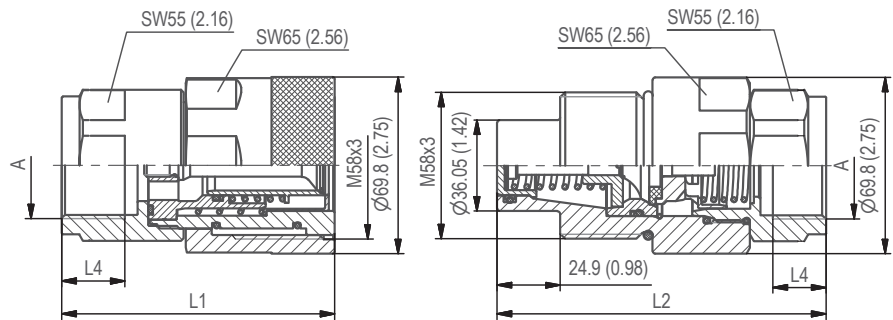
Steel

**Surface Finishing**

Zinc-Nickel

**Standard Seal Material(s)**

NBR (Buna-N®), PTFE



SW: Width across flats. All dimensions in mm (inch).

	Port A	Dimensions ( <sup>mm</sup> / <sub>in</sub> )				Female Body		Weight	Male Tip		Weight
		ØD2	L1	L2	L3	L4	VOSWINKEL Part Numbers	( <sup>g</sup> / <sub>oz</sub> ) ca.	VOSWINKEL Part Numbers	( <sup>g</sup> / <sub>oz</sub> ) ca.	
							STAUFF Ordering Codes	per pc.	STAUFF Ordering Codes	per pc.	
Female Thread according to DIN 3852-2 - ANSI B 1.20.3 - SAE J1926-1											
	G 1" 1/4	108	130		20	FT25-1-IGF20	1502	FT25-2-IGF20	1897		
		4.25	5.12		.79	QRC-FT-25-F-G20-BT-W3	3304.40	QRC-FT-25-M-G20-BT-W3	4173.40		
	NPTF 1"¼ - 11½	108	130			FT25-1-INF20	1539	FT25-2-INF20	1919		
		4.25	5.12			QRC-FT-25-F-NF20-BT-W3	3385.80	QRC-FT-25-M-NF20-BT-W3	4221.80		
	UNF 1" 5/8 - 12	108	130		19	FT25-1-IUF20	1523	FT25-2-IUF20	1904		
		4.25	5.12		.75	QRC-FT-25-F-U26-BT-W3	3350.60	QRC-FT-25-M-U26-BT-W3	4188.80		

FT



**Series FT 32 ▪ BG 10 ▪ Nominal Size 32**
**Working Pressure**

400 bar / 40 MPa / 5802 PSI

**Burst Pressure**

1100 bar / 110 MPa / 15954 PSI (Female Body)

1100 bar / 110 MPa / 15954 PSI (Male Tip)

1100 bar / 110 MPa / 15954 PSI (Connected)

The indicated pressure ratings only apply to the coupling itself and depend on the connection type.

**Material**

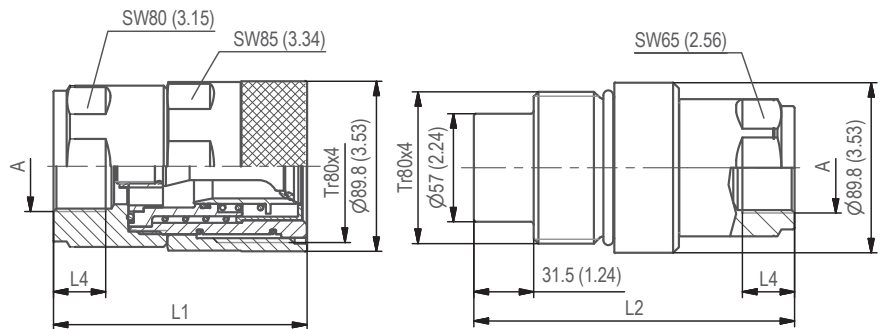
Steel

**Surface Finishing**

Zinc-Nickel

**Standard Seal Material(s)**

NBR (Buna-N®), PTFE, PU

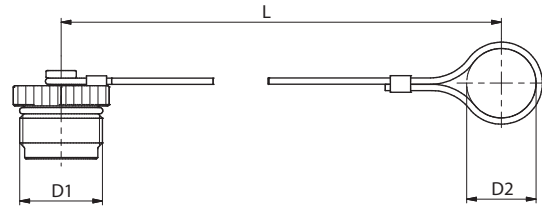
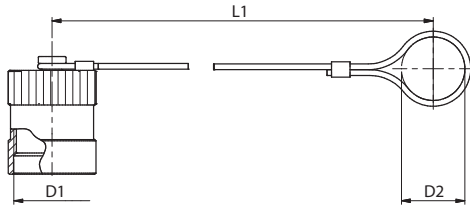


SW: Width across flats. All dimensions in mm (inch).

	Port A	Dimensions (mm/in)				Female Body		Weight	Male Tip		Weight	
		ØD2	L1	L2	L3	L4	VOSWINKEL Part Numbers		(#oz) ca.	VOSWINKEL Part Numbers		(#oz) ca.
							STAUFF Ordering Codes			STAUFF Ordering Codes		
Female Thread according to DIN 3852-2 - ANSI B 1.20.3 - SAE J1926-1												
	G 1" 1/2	134	169		22	FT32-1-IGF24	4422	FT32-2-IGF24	4020			
		5.28	6.65		.87	QRC-FT-31-F-G24-S1-W3	9728.40	QRC-FT-31-M-G24-S2-W3	8844.00			
	NPTF 1"½ -11	134	169			FT32-1-INF24	4442	FT32-2-INF24	4041			
		5.28	6.65			QRC-FT-31-F-NF24-S1-W3	9772.40	QRC-FT-31-M-NF24-S2-W3	8890.20			
UNF 1" 7/8 -12	134	169		19	FT32-1-IUF24	4392	FT32-2-IUF24	4005				
	5.28	6.65		.75	QRC-FT-31-F-U30-S1-W3	9662.40	QRC-FT-31-M-U30-S2-W3	8811.00				



Series FT • Dust Protection



Dimensions (mm/in)			Material	Dust Cap for Male Tip	
D1	D2	L		VOSWINKEL Part Numbers	STAUFF Ordering Codes
M33x2	30	175	Aluminium silver with steel cable	FT10-0-SI001	
	1.18	6.89		QRC-FT-10-DM-30-W89-SI	
M40x3	40,5	215	Aluminium silver with steel cable	FT12-0-SI001	
	1.59	8.46		QRC-FT-12-DM-41-W89-SI	
M45x3	42,5	230	Aluminium silver with steel cable	FT16-0-SI001	
	1.67	9.06		QRC-FT-16-DM-43-W89-SI	
M50x3	46	245	Aluminium silver with steel cable	FT19-0-SI001	
	1.81	9.65		QRC-FT-19-DM-46-W89-SI	
M58x3	55	275	Aluminium silver with steel cable	FT25-0-SI001	
	2.17	10.83		QRC-FT-25-DM-55-W89-SI	
TR80x4	71,5	350	Aluminium silver with steel cable	FT32-0-SI001	
	2.81	13.78		QRC-FT-31-DM-72-W89-SI	

Dimensions (mm/in)			Material	Dust Plug for Female Body	
D1	D2	L		VOSWINKEL Part Numbers	STAUFF Ordering Codes
M33x2	30	175	Aluminium silver with steel cable	FT10-9-SI001	
	1.18	6.89		QRC-FT-10-DF-30-W89-SI	
M40x3	36	215	Aluminium silver with steel cable	FT12-9-SI001	
	1.42	8.46		QRC-FT-12-DF-36-W89-SI	
M45x3	42,5	230	Aluminium silver with steel cable	FT16-9-SI001	
	1.67	9.06		QRC-FT-16-DF-43-W89-SI	
M50x3	46	245	Aluminium silver with steel cable	FT19-9-SI001	
	1.81	9.65		QRC-FT-19-DF-46-W89-SI	
M58x3	55	275	Aluminium silver with steel cable	FT25-9-SI001	
	2.17	10.83		QRC-FT-25-DF-55-W89-SI	
TR80x4	71,5	350	Aluminium silver with steel cable	FT32-9-SI001	
	2.81	13.78		QRC-FT-31-DF-72-W89-SI	

FT



Series RH/RK ▪ Characteristics	258 - 259
Series RH 08 ▪ BG 2 ▪ Nominal Size 10	260
Series RH 12 ▪ BG 3 ▪ Nominal Size 12,5	261
Series RH 16 ▪ BG 4 ▪ Nominal Size 16	262
Series RK 20 ▪ BG 6 ▪ Nominal Size 20	263
Series RH 25 ▪ BG 8 ▪ Nominal Size 25	264
Series RH/RK ▪ Dust Protection	265


**RH/RK**




### Series RH/RK • Characteristics

**Description**

Pipeline couplings of the RK/RH series are used for flawless connection of hydraulic lines without the inclusion of air and permit separation without any loss of medium.

This series is particularly convenient for rugged application.

To guarantee an optimum of durability as well as no leakage during the application, it is necessary to screw or rather connect the female and the male part till the block.

Due to design modifications it is now possible (depends on size) to charge the male and female side by being disconnected with pressure up to 420 bar / 6090 PSI, without destroying any components.

**Working Pressure**

420 bar / 42 MPa / 6090 PSI

The indicated pressure ratings only apply to the coupling itself and depend on the connection type.

**Working Temperature**

-20° C ... +100° C / -4° F ... +212° F

**Connection under pressure**

Possible (under low residual pressure)

**Material**

Steel

**Surface Finishing**

Zinc/Nickel

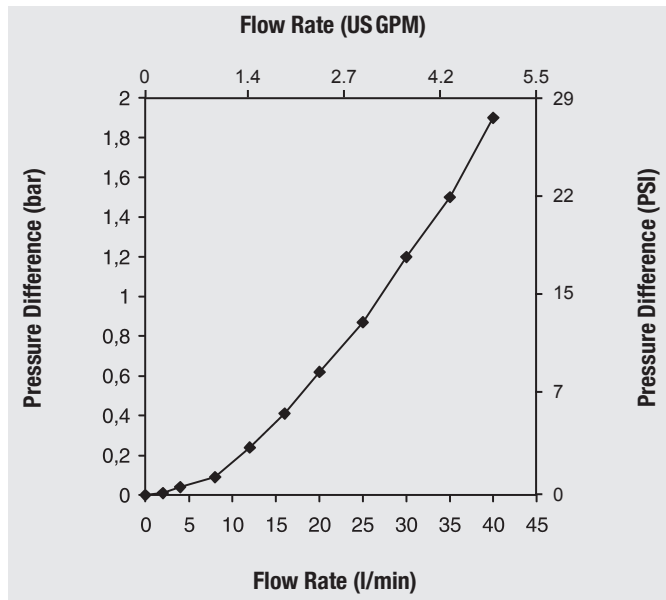
**Standard Seal Material(s)**

NBR (Buna-N®), PTFE

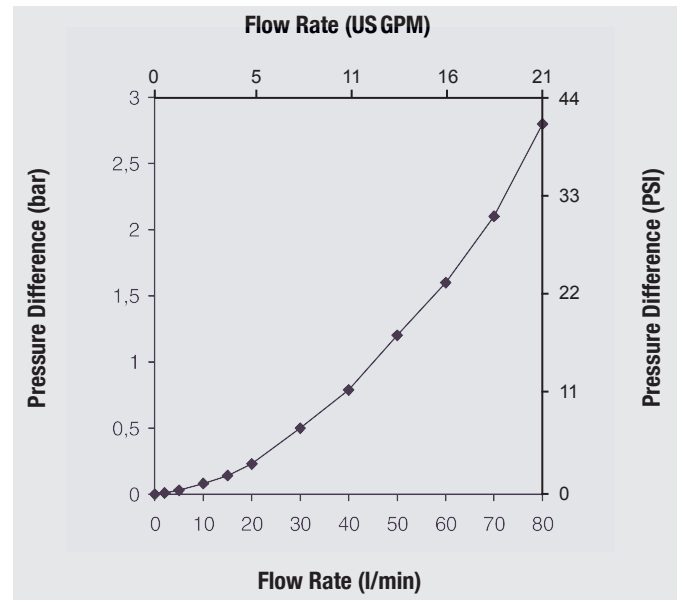
Alternative seal materials are available on request.



### Series RH 08 • BG 2 • Nominal Size 10



### Series RH 12 • BG 3 • Nominal Size 12,5

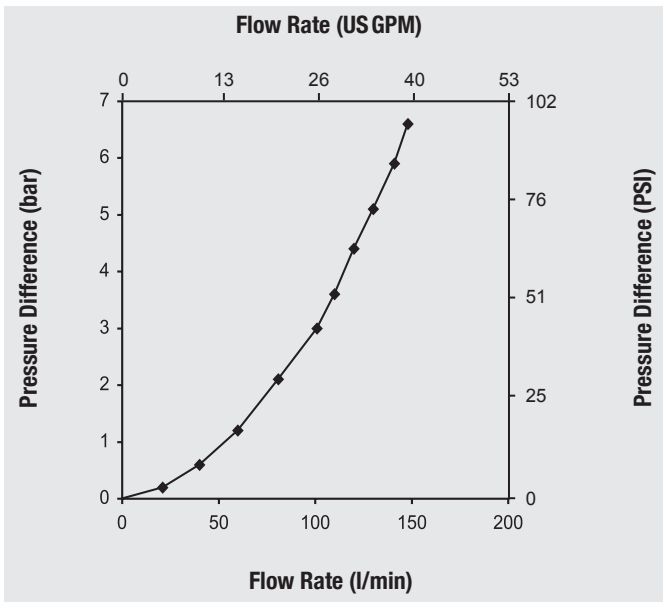


Please note: Unless otherwise stated, all flow characteristics have been determined with hydraulic oil with a kinematic viscosity of 36 mm<sup>2</sup>/s (36 cSt) and are only valid for components with non-reducing connections.

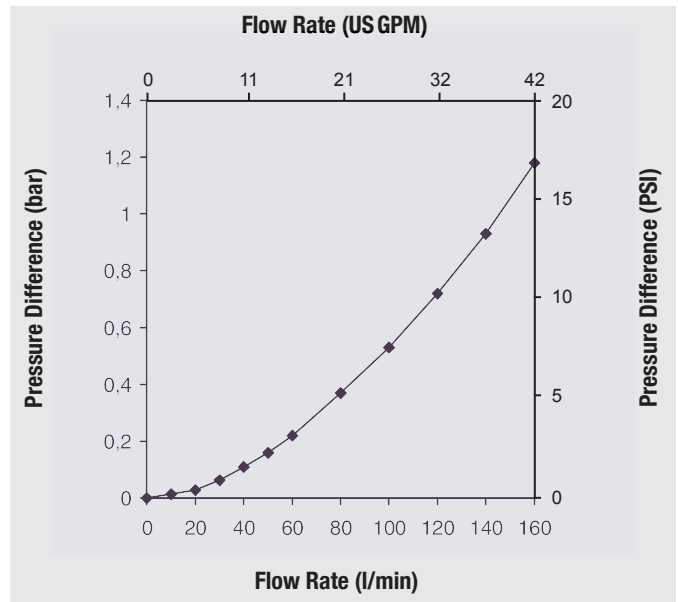
RH/RK



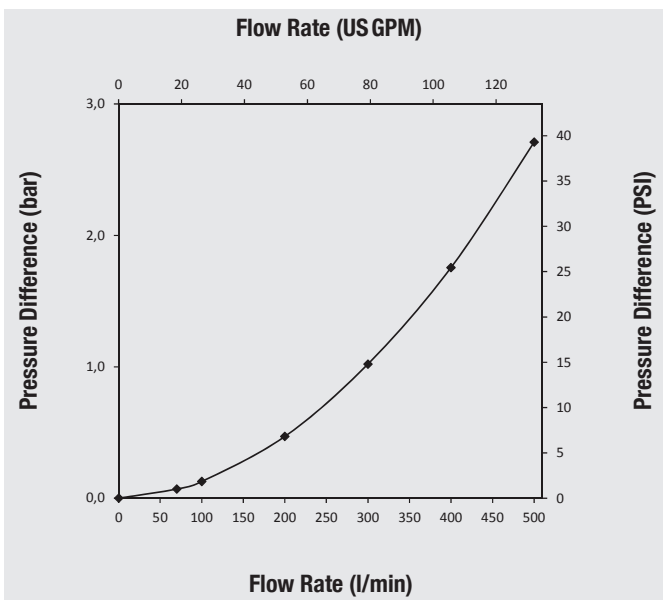
**Series RH 16 • BG 4 • Nominal Size 16**



**Series RK 20 • BG 6 • Nominal Size 20**



**Series RH 25 • BG 8 • Nominal Size 25**



**RH/RK**





Series RH 08 ▪ BG 2 ▪ Nominal Size 10

**Working Pressure**

420 bar / 42 MPa / 6092 PSI

**Burst Pressure**

1600 bar / 160 MPa / 23206 PSI (Female Body)

1600 bar / 160 MPa / 23206 PSI (Male Tip)

1600 bar / 160 MPa / 23206 PSI (Connected)

The indicated pressure ratings only apply to the coupling itself and depend on the connection type.

**Material**

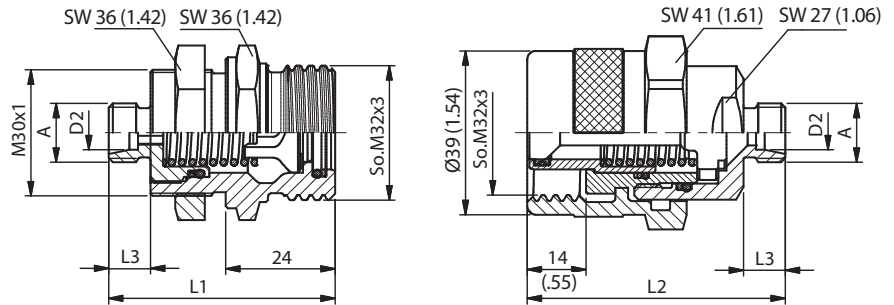
Steel

**Surface Finishing**

Zinc-Nickel

**Standard Seal Material(s)**

NBR (Buna-N®), PTFE, PU



SW: Width across flats. All dimensions in mm (inch).

	Port A	Dimensions (mm/in)				Female Body	Weight	Male Tip	Weight
		ØD2	L1	L2	L3	L4	( <sup>g</sup> / <sub>oz</sub> ) ca.	VOSWINKEL Part Numbers	( <sup>g</sup> / <sub>oz</sub> ) ca.
							per pc.	STAUFF Ordering Codes	per pc.
<b>Male Thread with 24° Conical Bore - Shape W according to DIN 3861</b>									
	M14x1.5	8L	54 2.13	61 2.40	10 .39	RH08-1-L0814 QRC-RH-10-F-08L-S1-W3	208 457.60	RH08-2-L0814 QRC-RH-10-M-08L-BT-W3	318 699.60
	M16x1.5	10L	55 2.17	61 2.40	11 .43	RH08-1-L1016 QRC-RH-10-F-10L-S1-W3	210 462.00	RH08-2-L1016 QRC-RH-10-M-10L-BT-W3	320 704.00
	M18x1.5	12L	55 2.17	61 2.40	11 .43	RH08-1-L1218 QRC-RH-10-F-12L-S1-W3	212 466.40	RH08-2-L1218 QRC-RH-10-M-12L-BT-W3	322 708.40
	M22x1.5	15L	56 2.20	62 2.44	12 .47	RH08-1-L1522 QRC-RH-10-F-15L-S1-W3	220 484.00	RH08-2-L1522 QRC-RH-10-M-15L-BT-W3	329 723.80
	M18x1.5	10S	56 2.20	62 2.44	12 .47	RH08-1-S1018 QRC-RH-10-F-10S-S1-W3	215 473.00	RH08-2-S1018 QRC-RH-10-M-10S-BT-W3	326 717.20
	M20x1.5	12S	56 2.20	62 2.44	12 .47	RH08-1-S1220 QRC-RH-10-F-12S-S1-W3	220 484.00	RH08-2-S1220 QRC-RH-10-M-12S-BT-W3	330 726.00
	M22x1.5	14S	58 2.28	64 2.52	14 .55	RH08-1-S1422 QRC-RH-10-F-14S-S1-W3	227 499.40	RH08-2-S1422 QRC-RH-10-M-14S-BT-W3	338 743.60
	M24x1.5	16S	58 2.28	64 2.52	14 .55	RH08-1-S1624 QRC-RH-10-F-16S-S1-W3	230 506.00	RH08-2-S1624 QRC-RH-10-M-16S-BT-W3	339 745.80

RH/RK



**Series RH 12 • BG 3 • Nominal Size 12,5**
**Working Pressure**

420 bar / 42 MPa / 6092 PSI

**Burst Pressure**

1260 bar / 126 MPa / 18275 PSI (Female Body)

1260 bar / 126 MPa / 18275 PSI (Male Tip)

1260 bar / 126 MPa / 18275 PSI (Connected)

The indicated pressure ratings only apply to the coupling itself and depend on the connection type.

**Material**

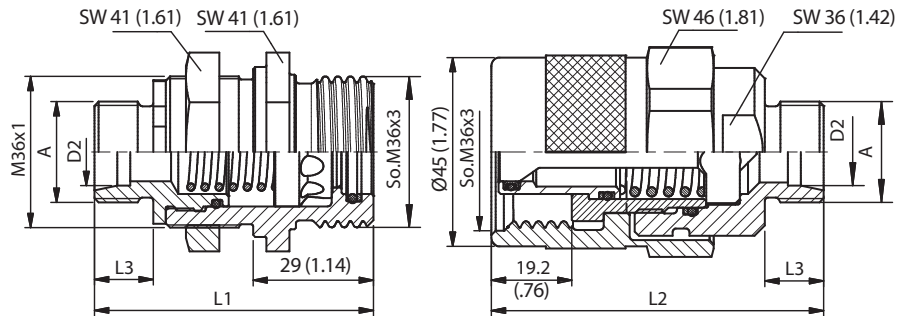
Steel

**Surface Finishing**

Zinc-Nickel

**Standard Seal Material(s)**

NBR (Buna-N®), PTFE, PU



SW: Width across flats. All dimensions in mm (inch).

	Port A	Dimensions (mm/in)				Female Body		Weight	Male Tip		Weight	
		ØD2	L1	L2	L3	L4	VOSWINKEL Part Numbers		(#/oz) ca. per pc.	VOSWINKEL Part Numbers		(#/oz) ca. per pc.
							STAUFF Ordering Codes			STAUFF Ordering Codes		
<b>Male Thread with 24° Conical Bore - Shape W according to DIN 3861</b>												
	M22x1.5	15L	65	78	12		RH12-1-L1522	312	RH12-2-L1522	564		
			2.56	3.07	.47		QRC-RH-12-F-15L-S1-W3	686.40	QRC-RH-12-M-15L-S1-W3	1240.80		
	M24x1.5	16S	67	80	14		RH12-1-S1624	320	RH12-2-S1624	573		
			2.64	3.15	.55		QRC-RH-12-F-16S-S1-W3	704.00	QRC-RH-12-M-16S-S1-W3	1260.60		
	M30x2	20S	69,5	81,2	16		RH12-1-S2030	348	RH12-2-S2030	595		
			2.74	3.20	.63		QRC-RH-12-F-20S-S1-W3	765.60	QRC-RH-12-M-20S-S1-W3	1309.00		



**Series RH 16 • BG 4 • Nominal Size 16**

**Working Pressure**

420 bar / 42 MPa / 6092 PSI

**Burst Pressure**

1260 bar / 126 MPa / 18275 PSI (Female Body)

1260 bar / 126 MPa / 18275 PSI (Male Tip)

1260 bar / 126 MPa / 18275 PSI (Connected)

The indicated pressure ratings only apply to the coupling itself and depend on the connection type.

**Material**

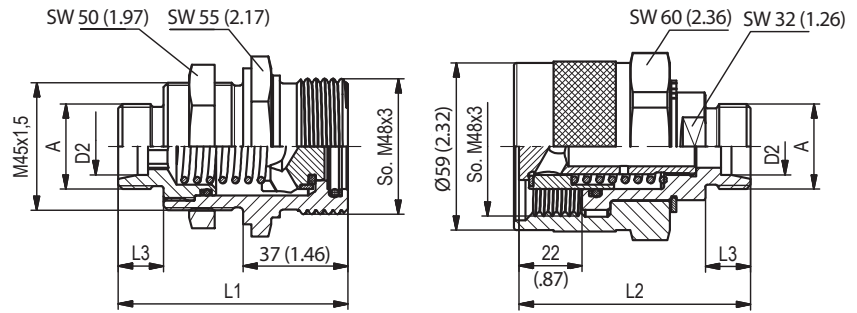
Steel

**Surface Finishing**

Zinc-Nickel

**Standard Seal Material(s)**

NBR (Buna-N®), PTFE, PU



SW: Width across flats. All dimensions in mm (inch).

	Port A	Dimensions ( <sup>mm</sup> / <sub>in</sub> )				Female Body		Weight ( <sup>g</sup> / <sub>oz</sub> ) ca. per pc.	Male Tip		Weight ( <sup>g</sup> / <sub>oz</sub> ) ca. per pc.
		ØD2	L1	L2	L3	VOSWINKEL Part Numbers			VOSWINKEL Part Numbers		
						STAUFF Ordering Codes			STAUFF Ordering Codes		
<b>Male Thread with 24° Conical Bore - Shape W according to DIN 3861</b>											
	M22x1,5	15L	77	77	12		RH16-1-L1522	614	RH16-2-L1522	940	
			3.03	3.03	.47		QRC-RH-16-F-15L-S1-W3	1350.80	QRC-RH-16-M-15L-S1-W3	2068.00	
	M26x1,5	18L	77	77	12		RH16-1-L1826	616	RH16-2-L1826	943	
			3.03	3.03	.47		QRC-RH-16-F-18L-S1-W3	1355.20	QRC-RH-16-M-18L-S1-W3	2074.60	
	M24x1,5	16S	79	79	14		RH16-1-S1624	617	RH16-2-S1624	945	
			3.11	3.11	.55		QRC-RH-16-F-16S-S1-W3	1357.40	QRC-RH-16-M-16S-S1-W3	2079.00	
	M30x2	20S	81	81	16		RH16-1-S2030	620	RH16-2-S2030	949	
			3.19	3.19	.63		QRC-RH-16-F-20S-S1-W3	1364.00	QRC-RH-16-M-20S-S1-W3	2087.80	

RH/RK



**Series RK 20 ▪ BG 6 ▪ Nominal Size 20**
**Working Pressure**

350 bar / 35 MPa / 5076 PSI

**Burst Pressure**

1000 bar / 100 MPa / 14504 PSI (Female Body)

1200 bar / 120 MPa / 17405 PSI (Male Tip)

1000 bar / 100 MPa / 14504 PSI (Connected)

The indicated pressure ratings only apply to the coupling itself and depend on the connection type.

**Material**

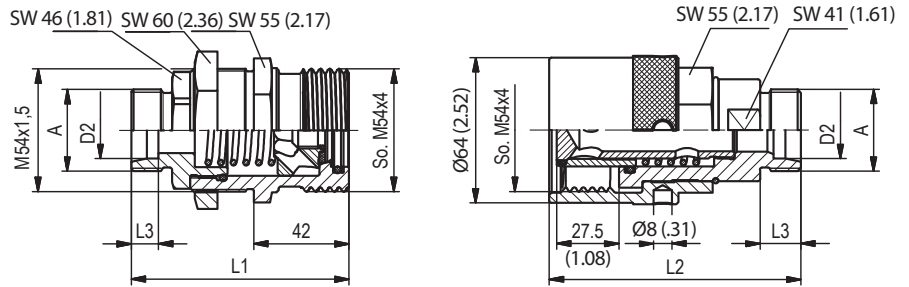
Steel

**Surface Finishing**

Zinc-Nickel

**Standard Seal Material(s)**

NBR (Buna-N®), PTFE, PU



SW: Width across flats. All dimensions in mm (inch).

	Port A	Dimensions (mm/in)					Female Body	Weight	Male Tip	Weight
		ØD2	L1	L2	L3	L4	VOSWINKEL Part Numbers	( <sup>g</sup> / <sub>oz</sub> ) ca.	VOSWINKEL Part Numbers	( <sup>g</sup> / <sub>oz</sub> ) ca.
							STAUFF Ordering Codes	per pc.	STAUFF Ordering Codes	per pc.
<b>Male Thread with 24° Conical Bore - Shape W according to DIN 3861</b>										
	M26x1,5	18L	90	103	12		<b>RK20-1-L1826</b>	880	<b>RK20-2-L1826</b>	1288
			3.54	4.06	.47		<b>QRC-RK-19-F-18L-S1-W3</b>	1936.00	<b>QRC-RK-19-M-18L-S1-W3</b>	2833.60
	M30x2	22L	92	105	14		<b>RK20-1-L2230</b>	888	<b>RK20-2-L2230</b>	1296
			3.62	4.13	.55		<b>QRC-RK-19-F-22L-S1-W3</b>	1953.60	<b>QRC-RK-19-M-22L-S1-W3</b>	2851.20
	M36x2	28L	92	107	14		<b>RK20-1-L2836</b>	900	<b>RK20-2-L2836</b>	1306
			3.62	4.21	.55		<b>QRC-RK-19-F-28L-S1-W3</b>	1980.00	<b>QRC-RK-19-M-28L-S1-W3</b>	2873.20
	M30x2	20S	95	109	16		<b>RK20-1-S2030</b>	922	<b>RK20-2-S2030</b>	1316
			3.74	4.29	.63		<b>QRC-RK-19-F-20S-S1-W3</b>	2028.40	<b>QRC-RK-19-M-20S-S1-W3</b>	2895.20
	M36x2	25S	97	111	18		<b>RK20-1-S2536</b>	930	<b>RK20-2-S2536</b>	1323
			3.82	4.37	.71		<b>QRC-RK-19-F-25S-S1-W3</b>	2046.00	<b>QRC-RK-19-M-25S-S1-W3</b>	2910.60
	M42x2	30S	99	113	20		<b>RK20-1-S3042</b>	958	<b>RK20-2-S3042</b>	1343
			3.90	4.45	.79		<b>QRC-RK-19-F-30S-S1-W3</b>	2107.60	<b>QRC-RK-19-M-30S-S1-W3</b>	2954.60



**Series RH 25 ▪ BG 8 ▪ Nominal Size 25**

**Working Pressure**

420 bar / 42 MPa / 6092 PSI

**Burst Pressure**

1100 bar / 110 MPa / 15954 PSI (Female Body)

900 bar / 90 MPa / 13053 PSI (Male Tip)

1150 bar / 115 MPa / 16679 PSI (Connected)

The indicated pressure ratings only apply to the coupling itself and depend on the connection type.

**Material**

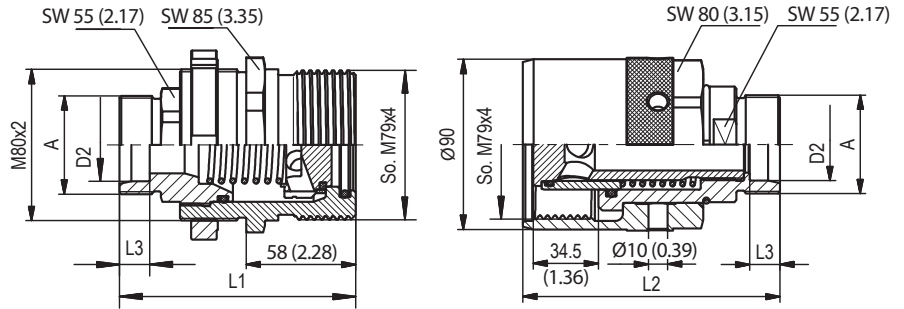
Steel

**Surface Finishing**

Zinc-Nickel

**Standard Seal Material(s)**

NBR (Buna-N®), PTFE, PU

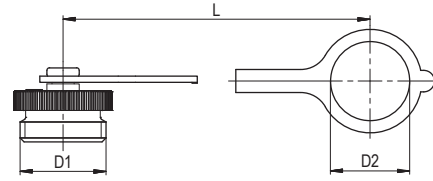
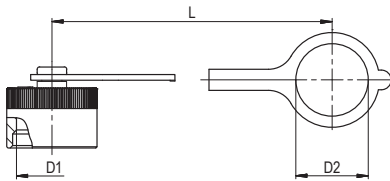


SW: Width across flats. All dimensions in mm (inch).

Port A	Dimensions ( <sup>mm</sup> / <sub>in</sub> )	Female Body				Weight ( <sup>g</sup> / <sub>oz</sub> ) ca. per pc.	Male Tip		Weight ( <sup>g</sup> / <sub>oz</sub> ) ca. per pc.	
		ØD2	L1	L2	L3		VOSWINKEL Part Numbers	VOSWINKEL Part Numbers		
					L4		STAUFF Ordering Codes	STAUFF Ordering Codes		
Male Thread with 24° Conical Bore - Shape W according to DIN 3861										
	M45x2	35L	122	136	16		RH25-1-L3545	2730	RH25-2-L3545	3350
			4.80	5.35	.63		QRC-RH-25-F-35L-S1-W3	6006.00	QRC-RH-25-M-35L-S1-W3	7370.00
	M52x2	42L	122	136	16		RH25-1-L4252	2830	RH25-2-L4252	3350
			4.80	5.35	.63		QRC-RH-25-F-42L-S1-W3	6226.00	QRC-RH-25-M-42L-S1-W3	7370.00
	M52x2	38S	125	136	22		RH25-1-S3852	2855	RH25-2-S3852	3345
			4.92	5.35	.87		QRC-RH-25-F-38S-S1-W3	6281.00	QRC-RH-25-M-38S-S1-W3	7359.00

RH/RK



**Series RH/RK • Dust Protection**


Dimensions (mm/in)			Material	Dust Cap for Male Tip	
D1	D2	L		VOSWINKEL Part Numbers	STAUFF Ordering Codes
M32x3	36,5	190	Plastic (Colour: Red)	RH08-0-RT001	QRC-RH-10-DF-37-K-RD
	1.44	7.48			
M36x3	41	190	Plastic (Colour: Red)	RH12-0-RT001	QRC-RH-12-DF-41-K-RD
	1.61	7.48			
M48x3	55	210	Plastic (Colour: Red)	RH16-0-RT001	QRC-RH-16-DF-55-K
	2.17	8.27			

Dimensions (mm/in)			Material	Dust Plug for Female Body	
D1	D2	L		VOSWINKEL Part Numbers	STAUFF Ordering Codes
M32x3	29,5	185	Plastic (Colour: Red)	RH08-9-RT001	QRC-RH-10-DM-30-K-RD
	1.16	7.28			
M36x3	29,5	185	Plastic (Colour: Red)	RH12-9-RT001	QRC-RH-12-DM-30-K-RD
	1.16	7.28			
M48x3	36,5	190	Plastic (Colour: Red)	RH16-9-RT001	QRC-RH-16-DM-37-K-RD
	1.44	7.48			

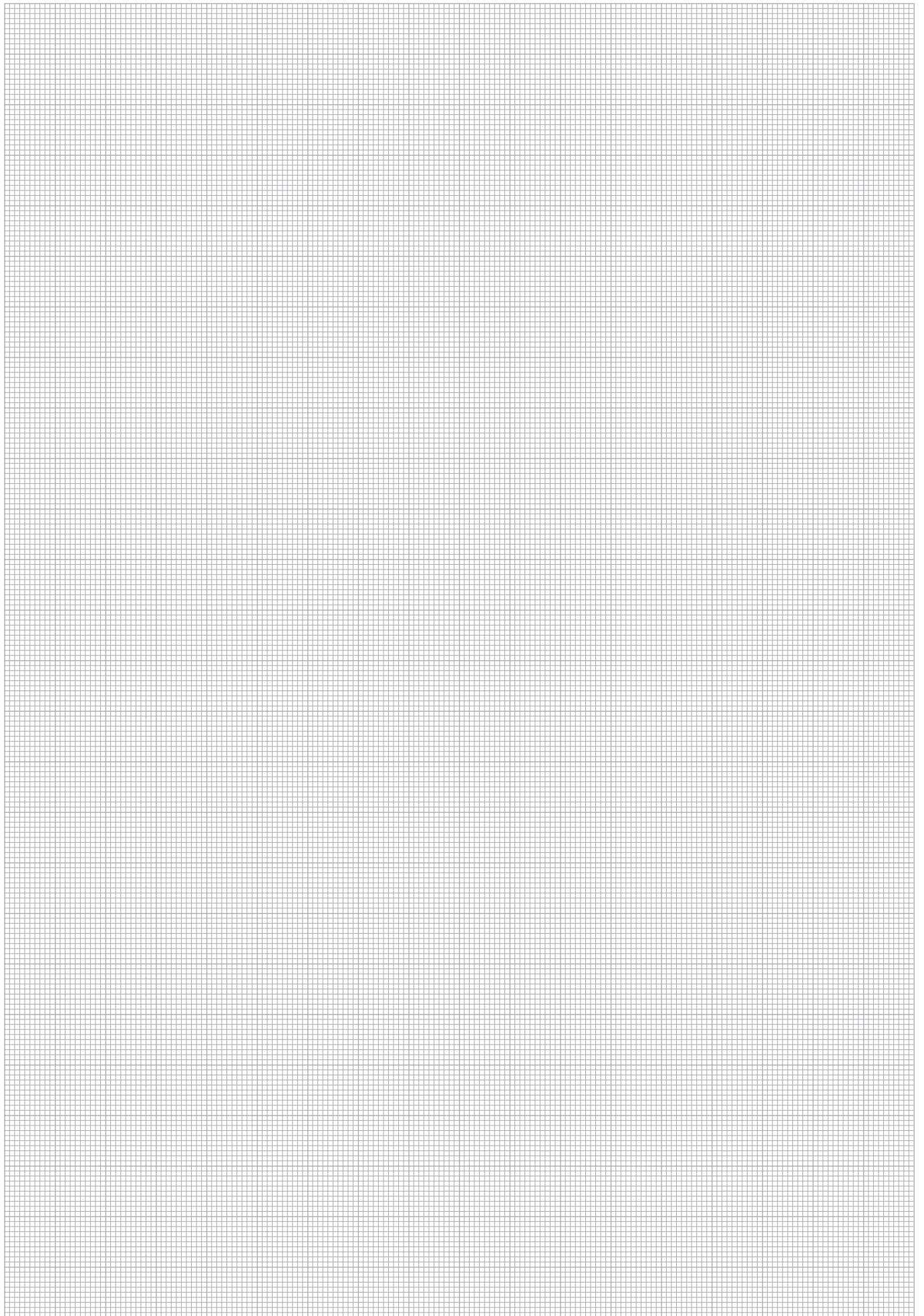


Dimensions (mm/in)			Material	Dust Cap for Male Tip	
D1	D2	L		VOSWINKEL Part Numbers	STAUFF Ordering Codes
So.			Aluminium silver with chain	RH16-0-SI001	QRC-RH-16-DF-CN-W89-SI
M48x3					
So.			Aluminium silver with chain	RH20-0-SI001	QRC-RH-20-DF-CN-W89-SI
M54x4					
So.			Aluminium silver with chain	RH25-0-SI001	QRC-RH-25-DF-CN-W89-SI
M79x4					

Dimensions (mm/in)			Material	Dust Plug for Female Body	
D1	D2	L		VOSWINKEL Part Numbers	STAUFF Ordering Codes
So.			Aluminium silver with chain	RH16-9-SI001	QRC-RH-16-DM-CN-W89-SI
M48x3					
So.			Aluminium silver with chain	RH20-9-SI001	QRC-RH-20-DM-CN-W89-SI
M54x4					
So.			Aluminium silver with chain	RH25-9-SI001	QRC-RH-25-DM-CN-W89-SI
M79x4					

In addition to the standard colours as stated above, plastic dust caps are also available in blue, green, yellow and black. Please use the VOSWINKEL codes BL, GN, GE and SW respectively instead of RT. Please use the STAUFF codes BU, GN, YE and BK respectively instead of RD.





RH/RK





Series PS • Characteristics	268
Series PS 32 • BG 10 • Nominal Size 32	269
Series PS • Dust Protection	270


**PS**


### Series PS ▪ Characteristics

**Description**

The heavy duty coupling series PS belongs to the category of screw-on type couplings and has been developed especially for the hammer application at construction machines.

It is designed especially for working with high volume flow rates and ensures a low delta p by having an optimum flow. For this special application, it has to be ensured that the function and the material of the couplings must be absolutely resistant in case of highest mechanical load.

**Advantages**

- High flow rates until max. 1000 l/min / 264 US GPM
- Maximum pulse strength
- Zinc/nickel surface for best resistance against corrosion
- Patented valve unit

The patented valve design of the screw-on type coupling ensures that the sealing can't be rinse out by the volume flow rate. It can handle and resist high and strong impulses, such which appear in the hammer application.

**Working Pressure**

380 bar / 38 MPa / 5511 PSI

The indicated pressure ratings only apply to the coupling itself and depend on the connection type.

**Working Temperature**

-20° C ... +100° C / -4° F ... +212° F

**Material**

Steel

**Surface Finishing**

Zinc/Nickel

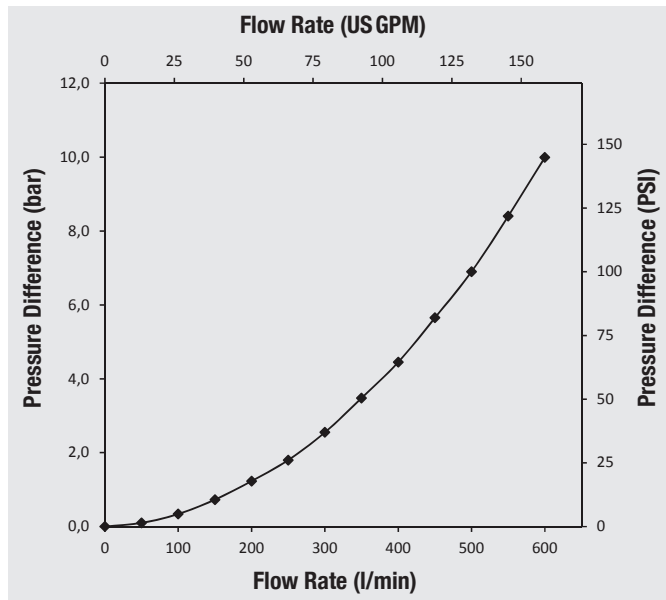
**Standard Seal Material(s)**

HNBR, FKM (Viton®), PTFE

Alternative seal materials are available on request.



### Series PS 32



Please note: Unless otherwise stated, all flow characteristics have been determined with hydraulic oil with a kinematic viscosity of 36 mm²/s (36 cSt) and are only valid for components with non-reducing connections.

PS



**Series PS 32 ▪ BG 10 ▪ Nominal Size 32**
**Working Pressure**

380 bar / 38 MPa / 5511 PSI

**Burst Pressure**

1520 bar / 152 MPa / 22046 PSI (Female Body)

1520 bar / 152 MPa / 22046 PSI (Male Tip)

1520 bar / 152 MPa / 22046 PSI (Connected)

The indicated pressure ratings only apply to the coupling itself and depend on the connection type.

**Material**

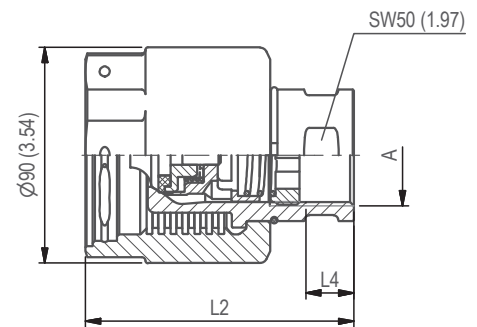
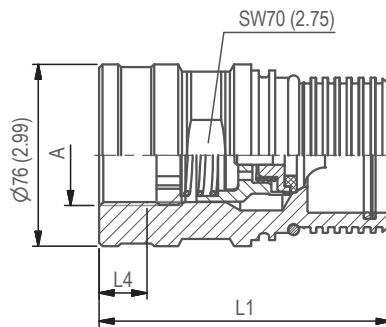
Steel

**Surface Finishing**

Zinc-Nickel

**Standard Seal Material(s)**

HNBR, FKM (Viton®), PTFE

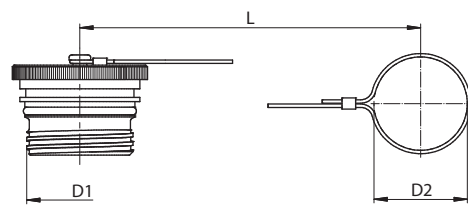
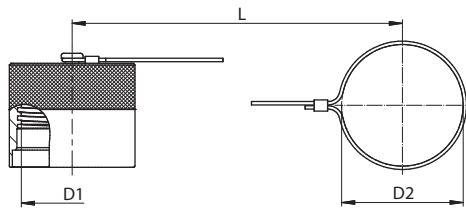


SW: Width across flats. All dimensions in mm (inch).

Port A	Dimensions (mm/in)							Female Body		Weight ( <sup>g</sup> / <sub>oz</sub> ) ca. per pc.	Male Tip		Weight ( <sup>g</sup> / <sub>oz</sub> ) ca. per pc.
	ØD2	L1	L2	L3	L4	L5	L6	VOSWINKEL Part Numbers	STAUFF Ordering Codes		VOSWINKEL Part Numbers	STAUFF Ordering Codes	
<b>Flange SAE 6000 PSI</b>													
	1" 1/4	98	115,5				66,7	31,8	PS32-1-AFS32	3004			
			3,86	4,55				2,62	1,24	QRC-PS-32-F-C620M-S3-W3	6608.80		
<b>Female Thread according to SAE J1926-14</b>													
	UN 1" 5/8 -12			112		19					PS32-2-IUF20	2626	
				4,41		.75						QRC-PS-32-M-U20-HB-W3	5777.20
<b>Female Thread according to DIN 3852-2-A</b>													
	G 1" 1/4	76	122	112		21,5			PS32-1-IGF20	2440	PS32-2-IGF20	2559	
			2,99	4,80	4,41		.85			QRC-PS-32-F-G20-S3-W3	5368.00	QRC-PS-32-M-G20-HB-W3	5629.80



Series PS • Dust Protection



Dimensions (mm/in)			Material	Dust Cap for Male Tip	
D1	D2	L		VOSWINKEL Part Numbers	STAUFF Ordering Codes
So.	80	280	Aluminium silver with steel cable	PS32-0-SI001	
65x5	3.15	11.02		QRC-PS-32-DF-80-W89-SI	

Dimensions (mm/in)			Material	Dust Plug for Female Body	
D1	D2	L		VOSWINKEL Part Numbers	STAUFF Ordering Codes
So.	56	240	Aluminium silver with steel cable	PS32-9-SI001	
65x5	2.20	9.45		QRC-PS-32-DM-56-W89-SI	

PS





<b>Series HR ▪ Characteristics</b>	<b>272 - 273</b>
<b>Series HR 10 ▪ BG 2 ▪ Nominal Size 10</b>	<b>274</b>
<b>Series HR 12 ▪ BG 3 ▪ Nominal Size 12,5</b>	<b>275</b>
<b>Series HR 19 ▪ BG 6 ▪ Nominal Size 19</b>	<b>276</b>
<b>Series HR 25 ▪ BG 8 ▪ Nominal Size 25</b>	<b>277</b>
<b>Series HR 31 ▪ BG 10 ▪ Nominal Size 31</b>	<b>278</b>
<b>Series HR 38 ▪ BG 12 ▪ Nominal Size 38</b>	<b>279</b>

<b>Series HR ▪ Dust Protection</b>	<b>280</b>
------------------------------------	------------


**HR**


### Series HR ▪ Characteristics

**Description**

- Screw-to-connect coupling
- Valve design: double shut-off
- Connection under pressure: permissible (both male or female side)

**Working Pressure**

270 ... 610 bar / 27 ... 61 MPa / 3915 ... 8845 PSI

**Maximum Residual Pressure**

100 bar / 10 MPa / 1450 PSI

The indicated pressure ratings only apply to the coupling itself and depend on the connection type.

**Working Temperature**

-25° C ... +100° C / -13° F ... +212° F

**Material**

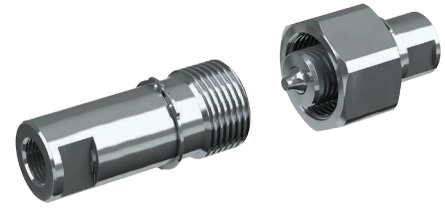
Steel

**Surface Finishing**

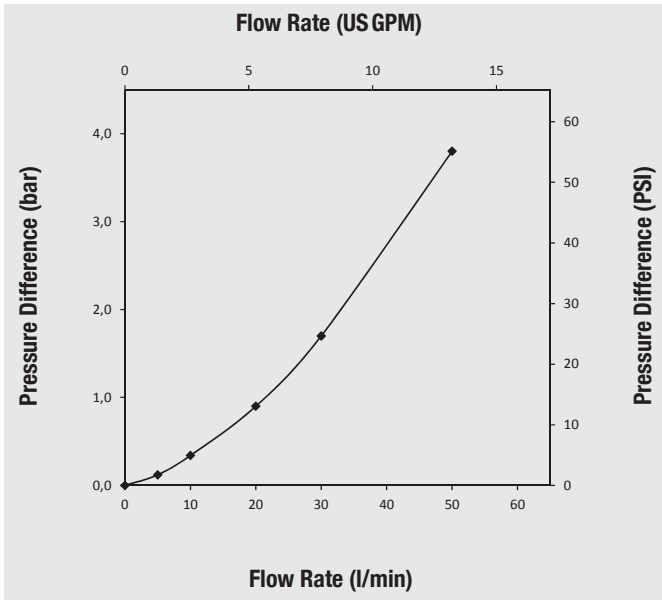
Zinc-Plating and Thick-Film-Passivation (Chrome III)

**Standard Seal Material(s)**

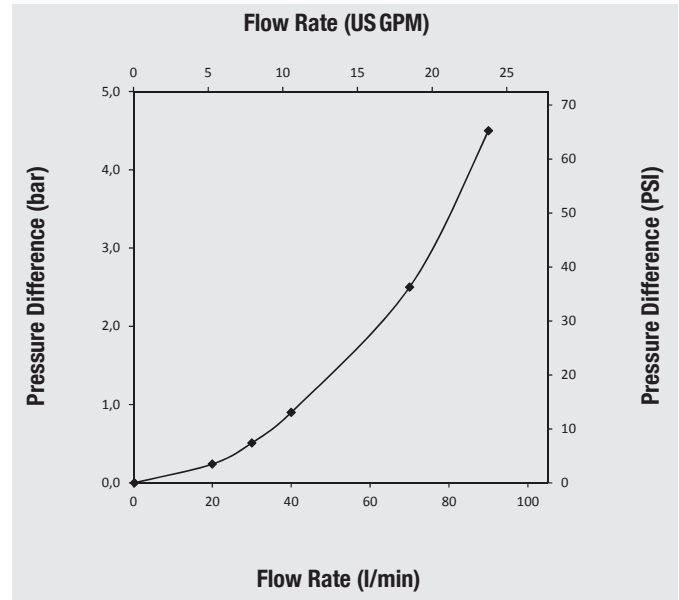
NBR (Buna-N®)



### Series HR 10 ▪ BG 2 ▪ Nominal Size 10



### Series HR 12 ▪ BG 3 ▪ Nominal Size 12

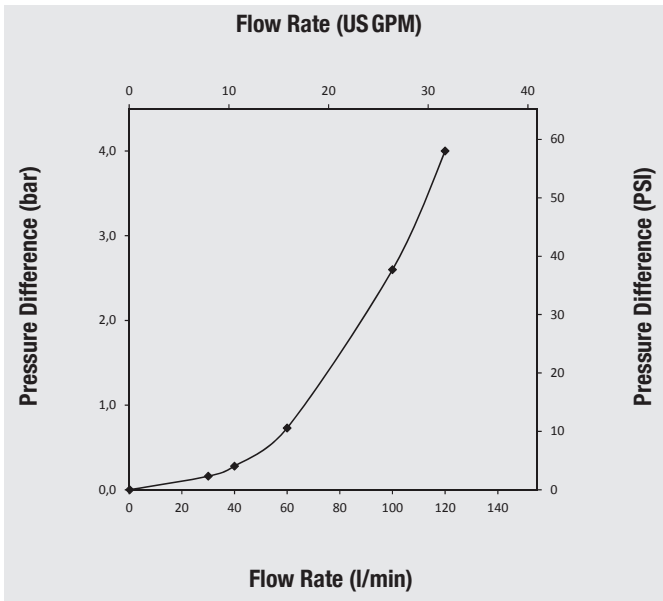


Please note: Unless otherwise stated, all flow characteristics have been determined with hydraulic oil with a kinematic viscosity of 36 mm<sup>2</sup>/s (36 cSt) and are only valid for components with non-reducing connections.

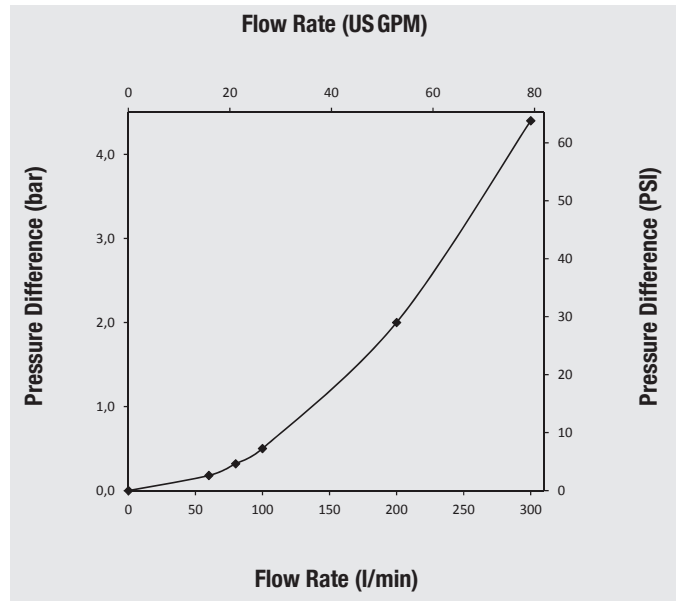
HR



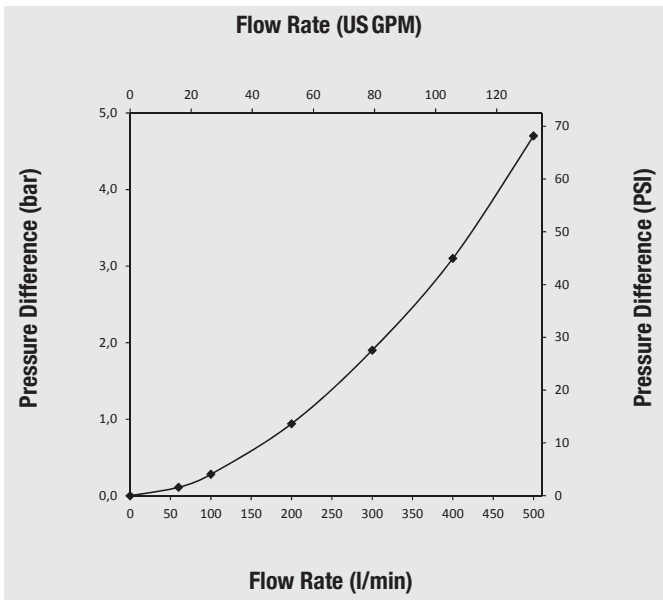
**Series HR 19 ▪ BG 6 ▪ Nominal Size 19**



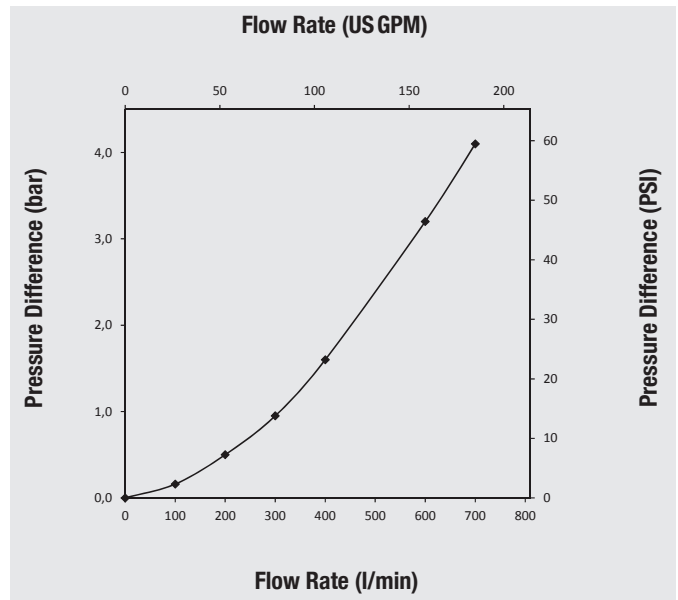
**Series HR 25 ▪ BG 8 ▪ Nominal Size 25**



**Series HR 31 ▪ BG 10 ▪ Nominal Size 31**



**Series HR 38 ▪ BG 12 ▪ Nominal Size 38**



**HR**





**Series HR 10 • BG 2 • Nominal Size 10**

**Working Pressure**

610 bar / 61 MPa / 8847 PSI

**Burst Pressure**

2450 bar / 245 MPa / 35535 PSI (Female Body)

2600 bar / 260 MPa / 37710 PSI (Male Tip)

2450 bar / 245 MPa / 35535 PSI (Connected)

The indicated pressure ratings only apply to the coupling itself and depend on the connection type.

**Material**

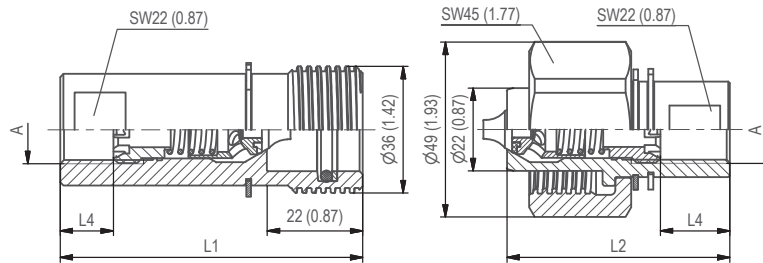
Steel

**Surface Finishing**

Zinc-Plating and Thick-Film-Passivation (Chrome III)

**Standard Seal Material(s)**

NBR (Buna-N®)



SW: Width across flats. All dimensions in mm (inch). Drawing similar series HR 12.

Port A	Dimensions (mm/in)				Female Body		Weight	Male Tip		Weight
	ØD2	L1	L2	L3	L4 min	VOSWINKEL Part Numbers	( <sup>g</sup> / <sub>oz</sub> ) ca.	VOSWINKEL Part Numbers	( <sup>g</sup> / <sub>oz</sub> ) ca.	
						STAUFF Ordering Codes	per pc.	STAUFF Ordering Codes	per pc.	
Female Thread according to DIN 3852										
 G 3/8"		77	57		12	HR10-1-IGF06	318	HR10-2-IGF06	352	
		3.03	2.24		0.47	QRC-HR-10-F-G06-BT-W66I	699.60	QRC-HR-10-M-G06-B-W66I	774.40	
		77	57		12	HR10-3MIGF06	371	HR10-4MIGF06	410	
		3.03	2.24		0.47	QRC-HR-10-FD-G06-BT-W66I-DM	816.20	QRC-HR-10-MD-G06-B-W66I-DM	902.00	



**Series HR 12 ▪ BG 3 ▪ Nominal Size 12,5**
**Working Pressure**

470 bar / 47 MPa / 6817 PSI

**Burst Pressure**

2100 bar / 210 MPa / 30458 PSI (Female Body)

1650 bar / 165 MPa / 23932 PSI (Male Tip)

1900 bar / 190 MPa / 27558 PSI (Connected)

The indicated pressure ratings only apply to the coupling itself and depend on the connection type.

**Material**

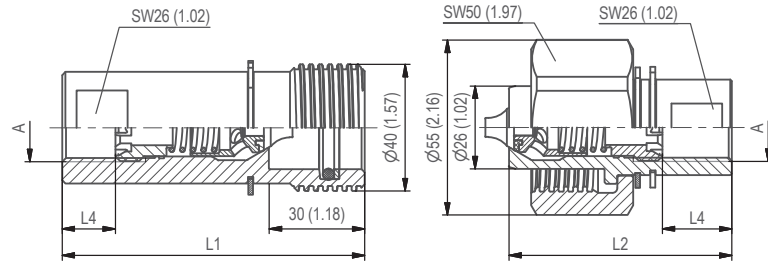
Steel

**Surface Finishing**

Zinc-Plating and Thick-Film-Passivation (Chrome III)

**Standard Seal Material(s)**

NBR (Buna-N®)



SW: Width across flats. All dimensions in mm (inch).

Port A	Dimensions (mm/in)				Female Body		Weight	Male Tip		Weight	
	ØD2	L1	L2	L3	L4 min	VOSWINKEL Part Numbers	( <sup>g</sup> / <sub>oz</sub> ) ca.	VOSWINKEL Part Numbers	( <sup>g</sup> / <sub>oz</sub> ) ca.		
		STAUFF Ordering Codes				per pc.		STAUFF Ordering Codes		per pc.	
Female Thread according to DIN 3852											
 G 1/2"		95	70		14	HR12-1-IGF08	484	HR12-2-IGF08	480		
		3.74	2.76		0.55	QRC-HR-12-F-G08-BT-W66I	1064.80	QRC-HR-12-M-G08-B-W66I	1056.00		
		95	70		14	HR12-3MIGF08	540	HR12-4MIGF08	566		
		3.74	2.76		0.55	QRC-HR-12-FD-G08-BT-W66I-DM	1188.00	QRC-HR-12-MD-G08-B-W66I-DM	1245.20		



**Series HR 19 ▪ BG 6 ▪ Nominal Size 19**

**Working Pressure**

310 bar / 31 MPa / 4496 PSI

**Burst Pressure**

1500 bar / 150 MPa / 21756 PSI (Female Body)

1250 bar / 125 MPa / 18130 PSI (Male Tip)

1250 bar / 125 MPa / 18130 PSI (Connected)

The indicated pressure ratings only apply to the coupling itself and depend on the connection type.

**Material**

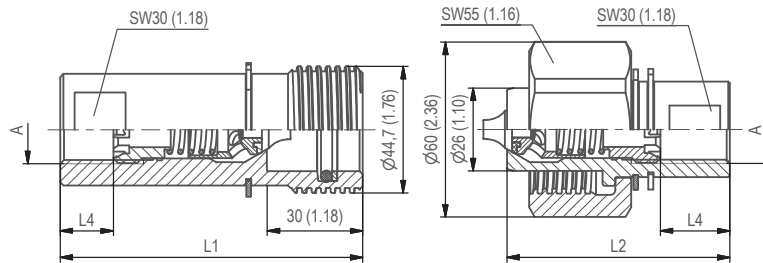
Steel

**Surface Finishing**

Zinc-Plating and Thick-Film-Passivation (Chrome III)

**Standard Seal Material(s)**

NBR (Buna-N®)



SW: Width across flats. All dimensions in mm (inch). Drawing similar series HR 12.

Port A	Dimensions (mm/in)				Female Body		Weight	Male Tip		Weight
	ØD2	L1	L2	L3	L4 min	VOSWINKEL Part Numbers	( <sup>g</sup> / <sub>oz</sub> ) ca.	VOSWINKEL Part Numbers	( <sup>g</sup> / <sub>oz</sub> ) ca.	
						STAUFF Ordering Codes	per pc.	STAUFF Ordering Codes	per pc.	
Female Thread according to DIN 3852										
 G 3/4"		99	73		16	HR19-1-IGF12	660	HR19-2-IGF12	599	
		3.90	2.87		0.63	QRC-HR-19-F-G12-BT-W66I	1452.00	QRC-HR-19-M-G12-B-W66I	1317.80	
		99	73		16	HR19-3MIGF12	728	HR19-4MIGF12	680	
		3.90	2.87		0.63	QRC-HR-19-FD-G12-BT-W66I-DM	1601.60	QRC-HR-19-MD-G12-B-W66I-DM	1496.00	



**Series HR 25 ▪ BG 8 ▪ Nominal Size 25**
**Working Pressure**

300 bar / 30 MPa / 4351 PSI

**Burst Pressure**

1600 bar / 160 MPa / 23206 PSI (Female Body)

1100 bar / 110 MPa / 18855 PSI (Male Tip)

1300 bar / 130 MPa / 18130 PSI (Connected)

The indicated pressure ratings only apply to the coupling itself and depend on the connection type.

**Material**

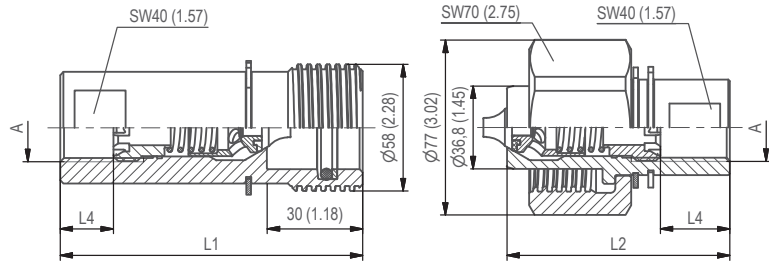
Steel

**Surface Finishing**

Zinc-Plating and Thick-Film-Passivation (Chrome III)

**Standard Seal Material(s)**

NBR (Buna-N®)



SW: Width across flats. All dimensions in mm (inch). Drawing similar series HR 12.

Port A	Dimensions (mm/in)				Female Body		Weight ( <sup>g</sup> / <sub>oz</sub> ) ca. per pc.	Male Tip		Weight ( <sup>g</sup> / <sub>oz</sub> ) ca. per pc.
	ØD2	L1	L2	L3	L4 min	VOSWINKEL Part Numbers STAUFF Ordering Codes		VOSWINKEL Part Numbers STAUFF Ordering Codes		
Female Thread according to DIN 3852										
	G 1"	106	81		18	HR25-1-IGF16	1179	HR25-2-IGF16	1147	
		4.17	3.19		0.71	QRC-HR-25-F-G16-BT-W66I	2593.80	QRC-HR-25-M-G16-B-W66I	2523.40	
		106	81		18	HR25-3MIGF16	1257	HR25-4MIGF16	1258	
		4.17	3.19		0.71	QRC-HR-25-FD-G16-BT-W66I-DM	2765.40	QRC-HR-25-MD-G16-B-W66I-DM	2767.60	



**Series HR 31 ▪ BG 10 ▪ Nominal Size 31**

**Working Pressure**

300 bar / 30 MPa / 4351 PSI

**Burst Pressure**

1300 bar / 130 MPa / 18130 PSI (Female Body)

1200 bar / 120 MPa / 17405 PSI (Male Tip)

1300 bar / 130 MPa / 18130 PSI (Connected)

The indicated pressure ratings only apply to the coupling itself and depend on the connection type.

**Material**

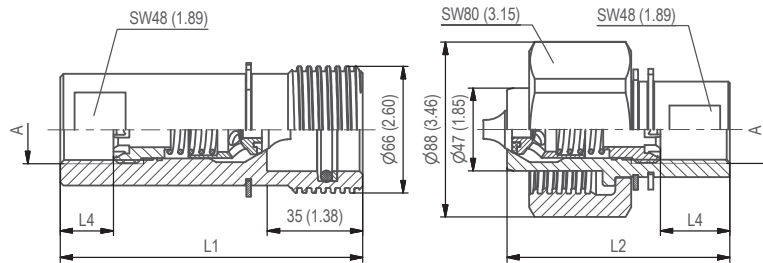
Steel

**Surface Finishing**

Zinc-Plating and Thick-Film-Passivation (Chrome III)

**Standard Seal Material(s)**

NBR (Buna-N®)



SW: Width across flats. All dimensions in mm (inch). Drawing similar series HR 12.

Port A	Dimensions (mm/in)				Female Body		Weight	Male Tip		Weight
	ØD2	L1	L2	L3	L4 min	VOSWINKEL Part Numbers	( <sup>g</sup> /oz) ca.	VOSWINKEL Part Numbers	( <sup>g</sup> /oz) ca.	
						STAUFF Ordering Codes	per pc.	STAUFF Ordering Codes	per pc.	
Female Thread according to DIN 3852										
 G 1 1/4"		118	88		20	HR31-1-IGF20	1606	HR31-2-IGF20	1803	
		4.65	3.46		0.79	QRC-HR-31-F-G20-BT-W66I	3533.20	QRC-HR-31-M-G20-B-W66I	3966.60	
		118	88		20	HR31-3MIGF20	1711	HR31-4MIGF20	1928	
		4.65	3.46		0.79	QRC-HR-31-FD-G20-BT-W66I-DM	3764.20	QRC-HR-31-MD-G20-B-W66I-DM	4241.60	



**Series HR 38 ▪ BG 12 ▪ Nominal Size 38**
**Working Pressure**

270 bar / 27 MPa / 3916 PSI

**Burst Pressure**

1500 bar / 150 MPa / 21756 PSI (Female Body)

950 bar / 95 MPa / 13779 PSI (Male Tip)

1100 bar / 110 MPa / 15954 PSI (Connected)

The indicated pressure ratings only apply to the coupling itself and depend on the connection type.

**Material**

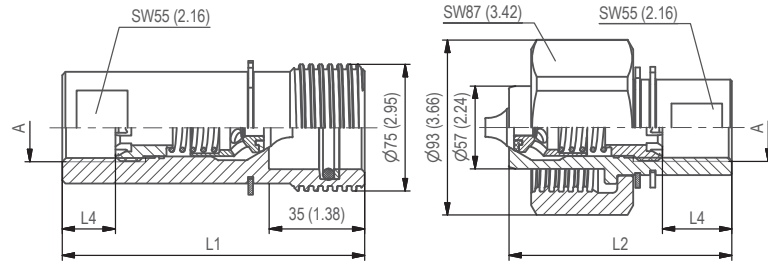
Steel

**Surface Finishing**

Zinc-Plating and Thick-Film-Passivation (Chrome III)

**Standard Seal Material(s)**

NBR (Buna-N®)

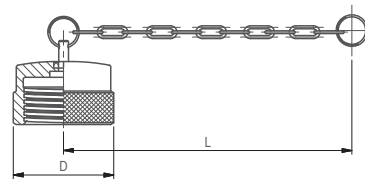
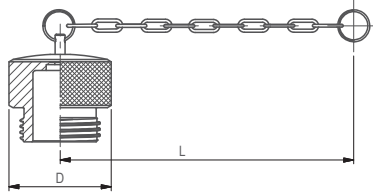


SW: Width across flats. All dimensions in mm (inch). Drawing similar series HR 12.

Port A	Dimensions (mm/in)				Female Body		Weight ( <sup>g</sup> / <sub>oz</sub> ) ca. per pc.	Male Tip		Weight ( <sup>g</sup> / <sub>oz</sub> ) ca. per pc.
	ØD2	L1	L2	L3	L4 min	VOSWINKEL Part Numbers STAUFF Ordering Codes		VOSWINKEL Part Numbers STAUFF Ordering Codes		
Female Thread according to DIN 3852										
	G 1 1/2"	121	90		22	HR38-1-IGF24	2006	HR38-2-IGF24	2184	
		4.76	3.54		0.87	QRC-HR-38-F-G24-BT-W66I	4413.20	QRC-HR-38-M-G24-B-W66I	4804.80	
		121	90		22	HR38-3MIGF24	2139	HR38-4MIGF24	2331	
		4.76	3.54		0.87	QRC-HR-38-FD-G24-BT-W66I-DM	4705.80	QRC-HR-38-MD-G24-B-W66I-DM	5128.20	



Series HR ▪ Dust Protection



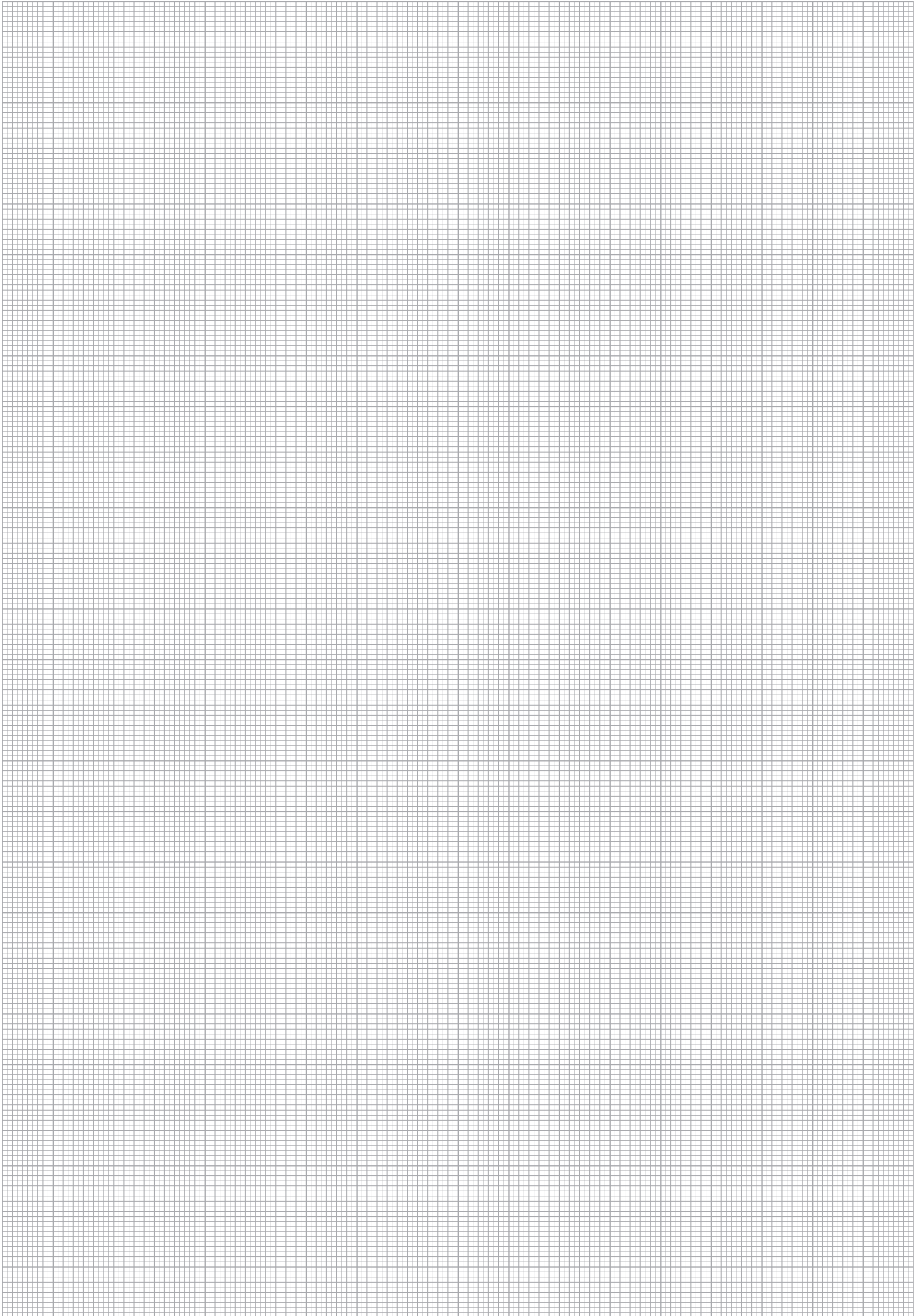
Dimensions (mm/in)			Material	Dust Cap for Male Tip	
D1	D2	L		VOSWINKEL Part Numbers	STAUFF Ordering Codes
48		200	Plastic (Colour: Black)	HR10-0-SW001	
1.89		7.87		QRC-HR-10-DM-CN-KI-BK	
51		200	Plastic (Colour: Black)	HR12-0-SW001	
2.01		7.87		QRC-HR-12-DM-CN-KI-BK	
57		200	Plastic (Colour: Black)	HR19-0-SW001	
2.24		7.87		QRC-HR-19-DM-CN-KI-BK	
68		200	Plastic (Colour: Black)	HR25-0-SW001	
2.68		7.87		QRC-HR-25-DM-CN-KI-BK	
76		265	Plastic (Colour: Black)	HR31-0-SW001	
2.99		10.43		QRC-HR-31-DM-CN-KI-BK	
86		265	Plastic (Colour: Black)	HR38-0-SW001	
3.39		10.43		QRC-HR-38-DM-CN-KI-BK	

Dimensions (mm/in)			Material	Dust Plug for Female Body	
D1	D2	L		VOSWINKEL Part Numbers	STAUFF Ordering Codes
48		200	Plastic (Colour: Black)	HR10-9-SW001	
1.89		7.87		QRC-HR-10-DF-CN-KI-BK	
51		200	Plastic (Colour: Black)	HR12-9-SW001	
2.01		7.87		QRC-HR-12-DF-CN-KI-BK	
57		200	Plastic (Colour: Black)	HR19-9-SW001	
2.24		7.87		QRC-HR-19-DF-CN-KI-BK	
68		200	Plastic (Colour: Black)	HR25-9-SW001	
2.68		7.87		QRC-HR-25-DF-CN-KI-BK	
76		265	Plastic (Colour: Black)	HR31-9-SW001	
2.99		10.43		QRC-HR-31-DF-CN-KI-BK	
85		265	Plastic (Colour: Black)	HR38-9-SW001	
3.35		10.43		QRC-HR-38-DF-CN-KI-BK	

In addition to the standard colours as stated above, plastic dust caps are also available in blue, green, yellow and black. Please use the VOSWINKEL codes BL, GN, GE and SW respectively instead of RT. Please use the STAUFF codes BU, GN, YE and BK respectively instead of RD.

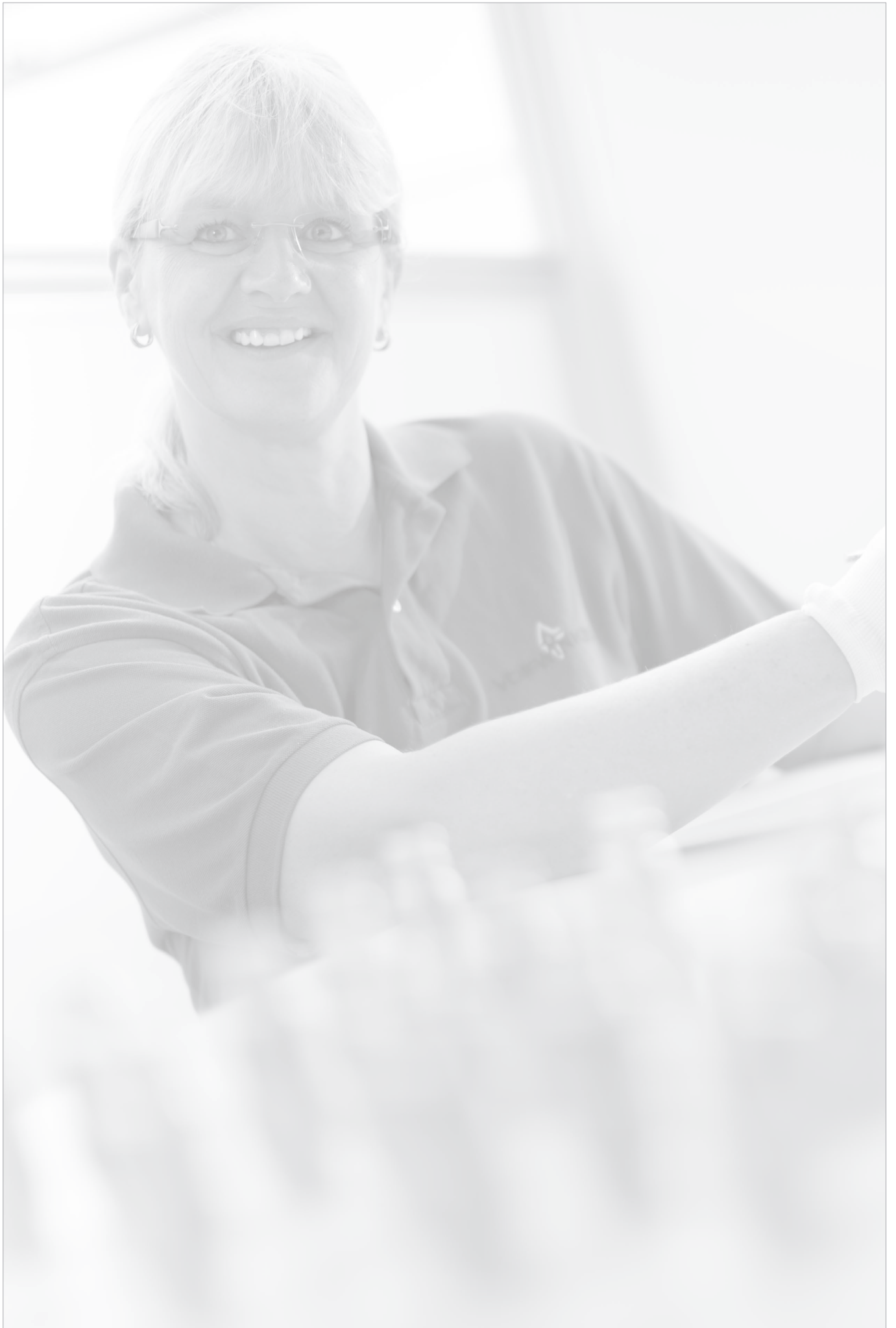






**HR**





Series KN ▪ Characteristics	284
Series KN 06 ▪ BG 1 ▪ Nominal Size 6,3 with Valve	285
Series KN 06 ▪ BG 1 ▪ Nominal Size 6,3 without Valve	286



**KN**



### Series KN - Characteristics

**Description**

Couplings of the KN series are designed for use in maintenance systems for industrial batteries. They are used for filling and ventilating of battery cells.

The couplings are made from high-quality synthetic materials with high thermal endurance and dimensional stability. Therefore, they are also suitable for use in medical applications, e. g. in dialysis devices.

The spring-loaded sliding sleeve slides in axial direction for coupling or uncoupling. Locking of the two halves of the coupling is achieved by means of precision snap-in balls.

The design of the coupling allows the use of probes with as well as without valves in carriers with valves.

**Working Pressure**

20 bar / 2 MPa / 290 PSI

The indicated pressure ratings only apply to the coupling itself and depend on the connection type.

**Material**

Plastic

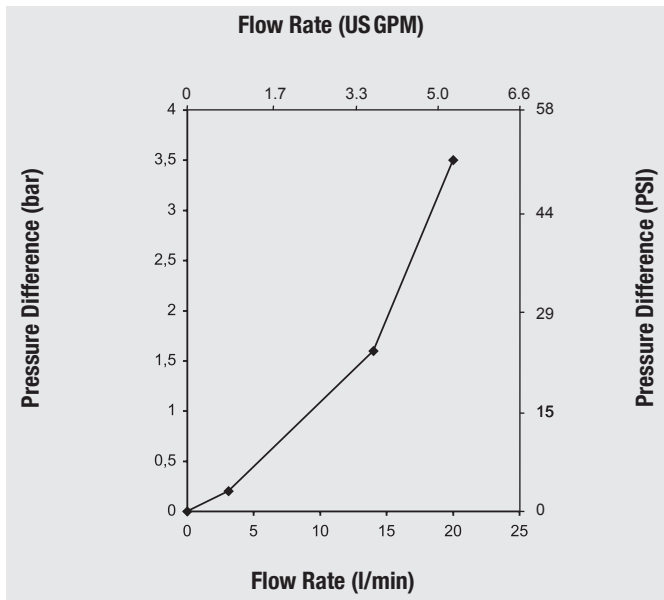
**Standard Seal Material(s)**

NBR (Buna-N®), FKM (Viton®)

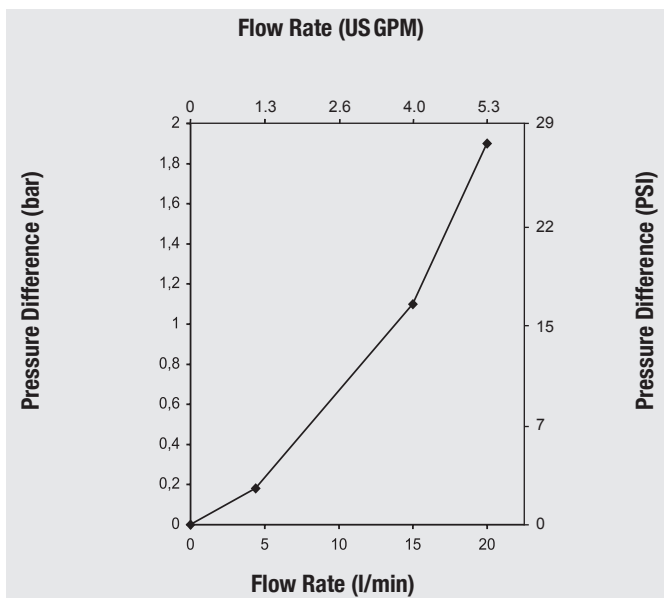
Alternative seal materials are available on request.



### Series KN 06 - Blocked on both sides



### Series KN 06 - Blocked on one side



Please note: Unless otherwise stated, all flow characteristics have been determined with hydraulic oil with a kinematic viscosity of 36 mm<sup>2</sup>/s (36 cSt) and are only valid for components with non-reducing connections.

KN



**Series KN 06 ▪ BG 1 ▪ Nominal Size 6,3 ▪ with Valve**
**Working Pressure**

20 bar / 2 MPa / 290 PSI

**Burst Pressure**

60 bar / 6 MPa / 870 PSI (Female Body)

80 bar / 8 MPa / 1160 PSI (Male Tip)

80 bar / 8 MPa / 1160 PSI (Connected)

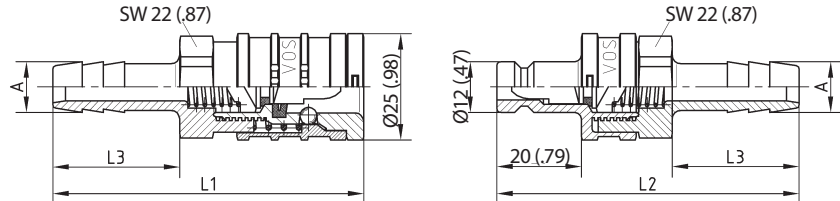
The indicated pressure ratings only apply to the coupling itself and depend on the connection type.

**Material**

Plastic

**Standard Seal Material(s)**

NBR (Buna-N®), FKM (Viton®)



SW: Width across flats. All dimensions in mm (inch).

Port A	Dimensions ( <sup>mm</sup> / <sub>in</sub> )				Female Body	Weight	Male Tip	Weight
	ØD2	L1	L2	L3	VOSWINKEL Part Numbers STAUFF Ordering Codes	( <sup>g</sup> / <sub>oz</sub> ) ca. per pc.	VOSWINKEL Part Numbers STAUFF Ordering Codes	( <sup>g</sup> / <sub>oz</sub> ) ca. per pc.
<b>Female Thread according to DIN ISO 228</b>								
	G 3/8"	58	55,5	14	KN06-1-IGF06	21	KN06-2-IGF06	12
		2.26	2.19	.55	QRC-KN-06-F-G06-BV-K-BK	46.20	QRC-KN-06-M-G06-V-K-BK	26.40
<b>Hose insert</b>								
	7	69	67	26	KN06-1-SL007	20	KN06-2-SL007	11
	.28	2.72	2.64	1.02	QRC-KN-06-F-HI7-BV-K-BK	44.00	QRC-KN-06-M-HI7-V-K-BK	24.20
	11	73,5	71,5	30	KN06-1-SL011	21	KN06-2-SL011	12
	.43	2.89	2.81	1.18	QRC-KN-06-F-HI11-BV-K-BK	46.20	QRC-KN-06-M-HI11-V-K-BK	26.40





**Series KN 06 ▪ BG 1 ▪ Nominal Size 6,3 ▪ without Valve**

**Working Pressure**

20 bar / 2 MPa / 290 PSI

**Burst Pressure**

60 bar / 6 MPa / 870 PSI (Female Body)

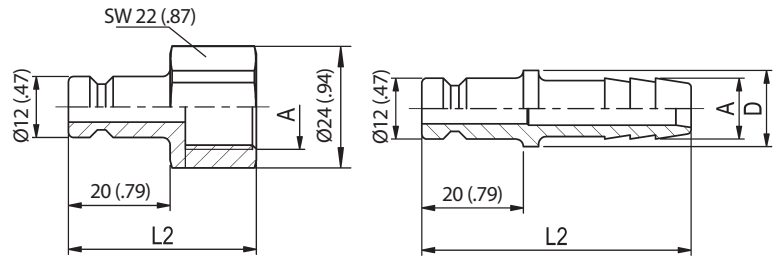
80 bar / 8 MPa / 1160 PSI (Male Tip)

80 bar / 8 MPa / 1160 PSI (Connected)

The indicated pressure ratings only apply to the coupling itself and depend on the connection type.

**Material**

Plastic

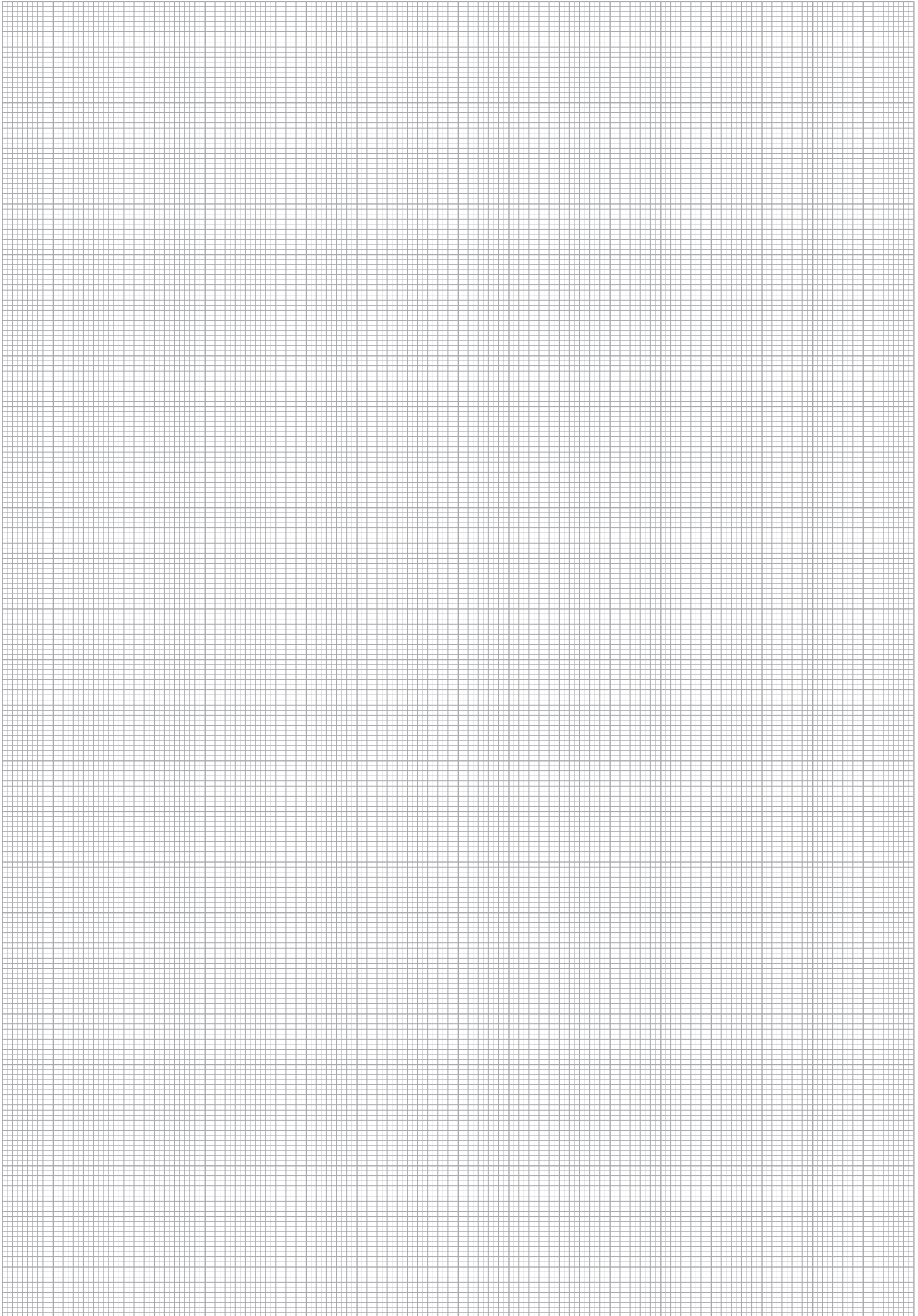


SW: Width across flats. All dimensions in mm (inch).

Port A	Dimensions (mm/in)					Female Body	Weight	Male Tip	Weight
	ØD2	L1	L2	L3	L4	VOSWINKEL Part Numbers STAUFF Ordering Codes	( <sup>g</sup> / <sub>oz</sub> ) ca. per pc.	VOSWINKEL Part Numbers STAUFF Ordering Codes	( <sup>g</sup> / <sub>oz</sub> ) ca. per pc.
<b>Female Thread according to DIN ISO 228</b>									
	G 3/8"			38	14			KN06-6-IGF06	6
				1.50	.55			QRC-KN-06-MW-G06-O-K-BK	13.20
<b>Hose insert</b>									
	7			46,5	26			KN06-6-SL007	4
	.28			1.83	1.02			QRC-KN-06-MW-HI7-O-K-BK	8.80
	11			53	30			KN06-6-SL011	6
	.43			2.09	1.18			QRC-KN-06-MW-HI11-O-K-BK	13.20

KN



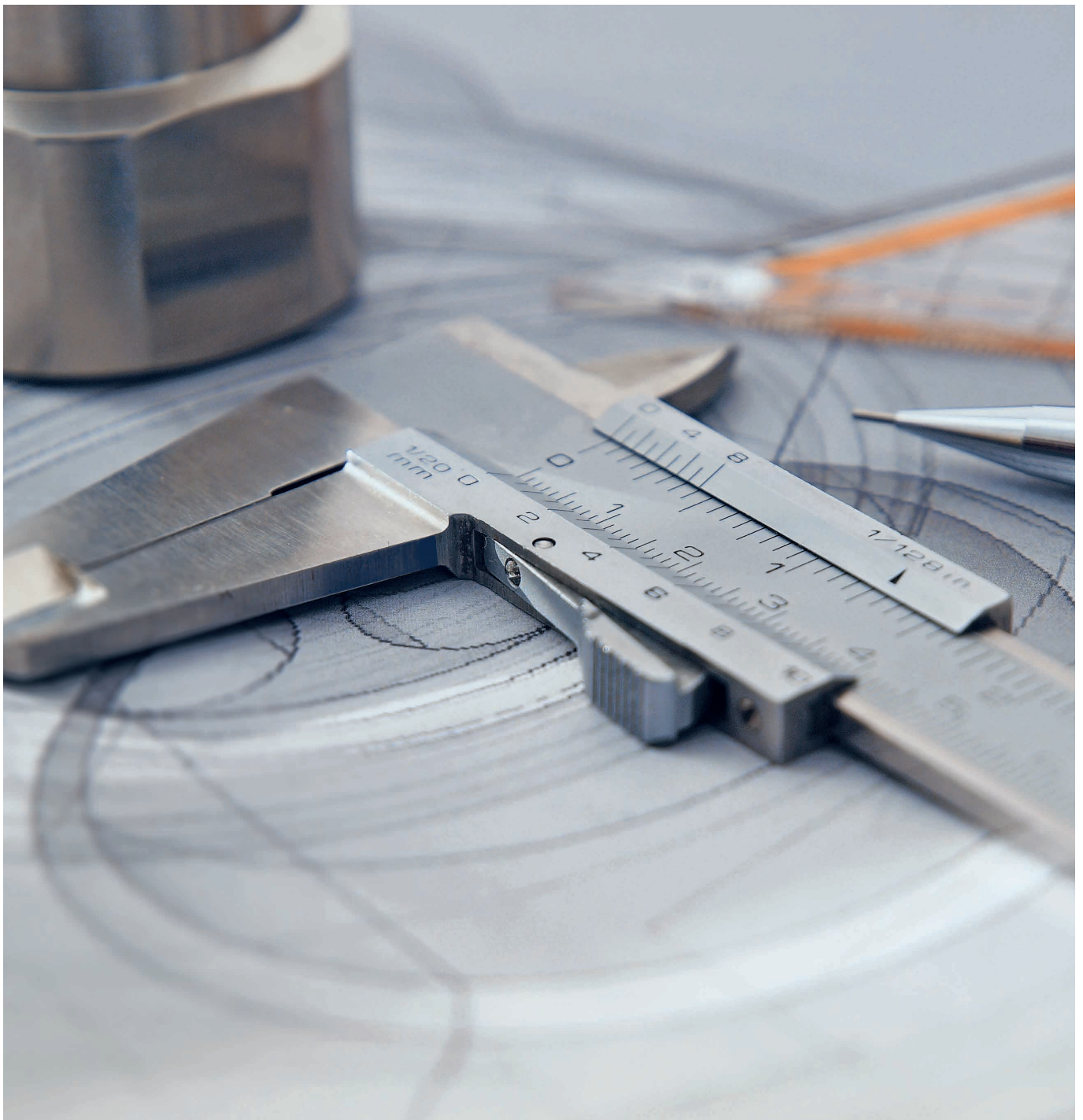


**KN**











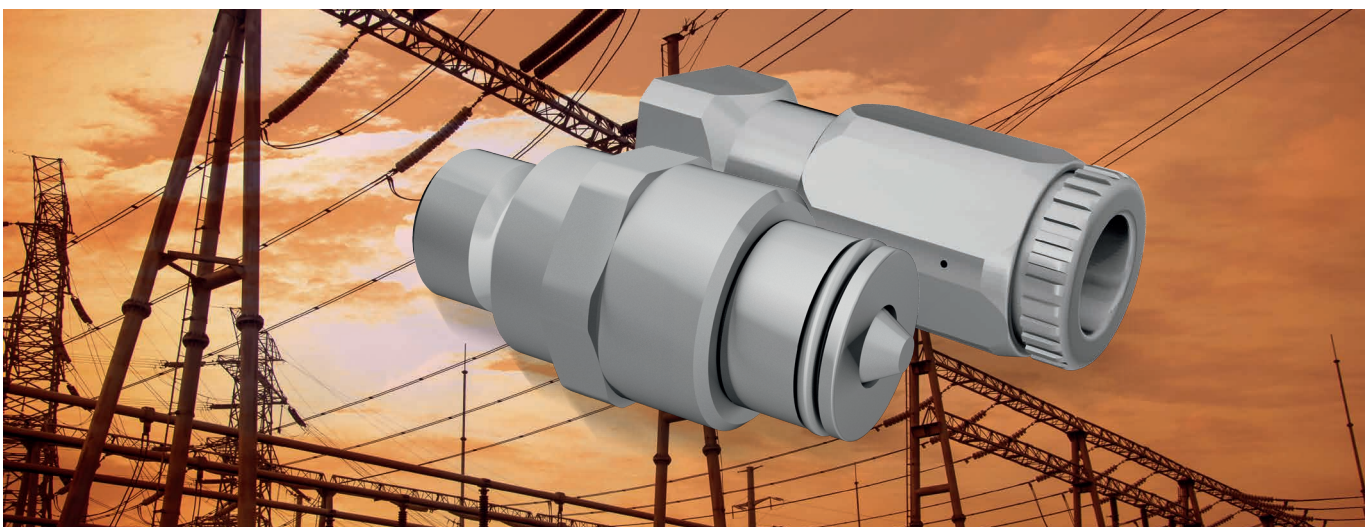
In addition of our common couplings series, we also have various special designs for a huge range of special applications, even outside the hydraulic area, in our portfolio.

We are open minded to find customized solutions for all kind of applications and different influencing factors and work them out for or together with our customers.

## Water Application



## Electro-technics





**Automotive Engineering**

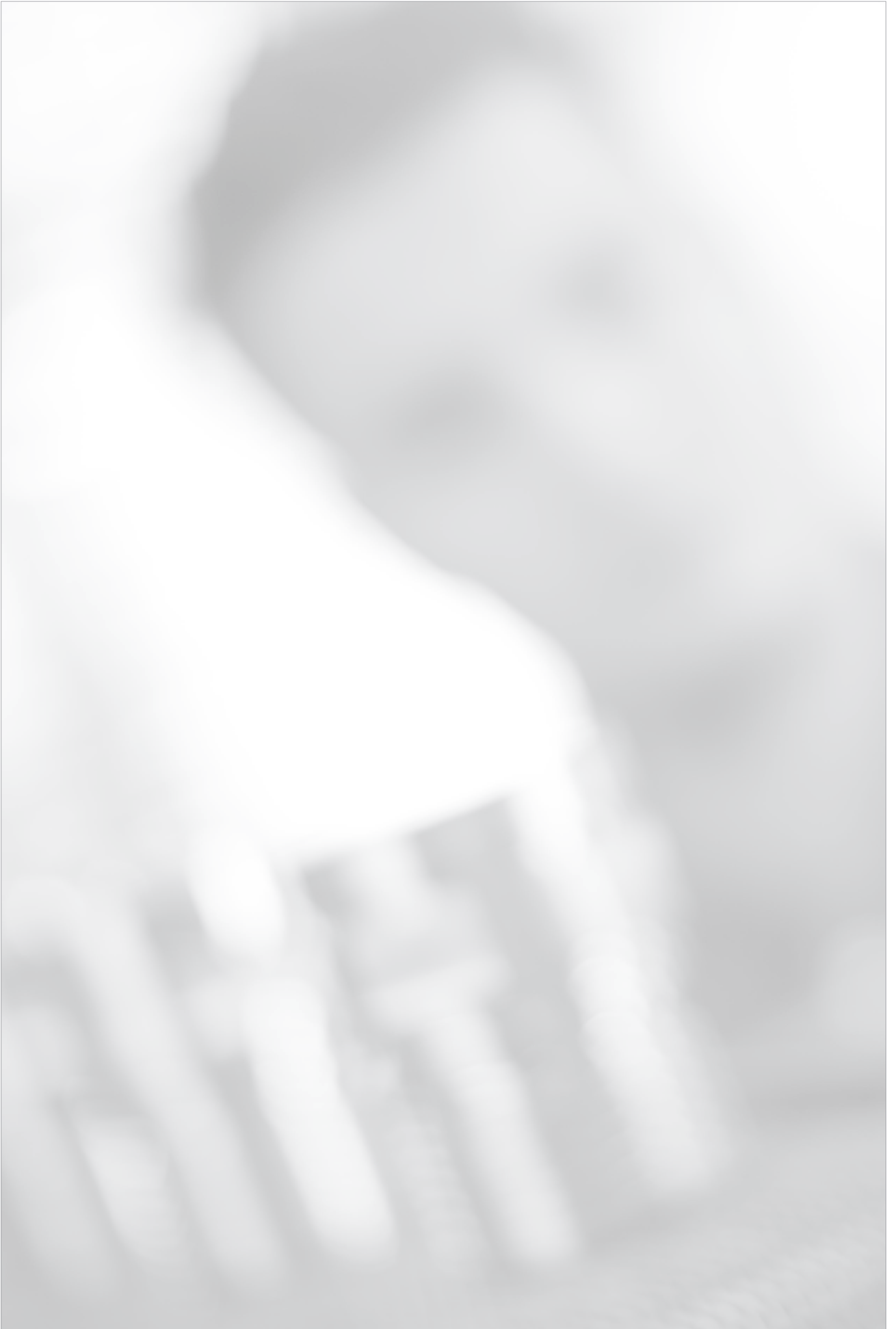


**Agricultural Engineering**



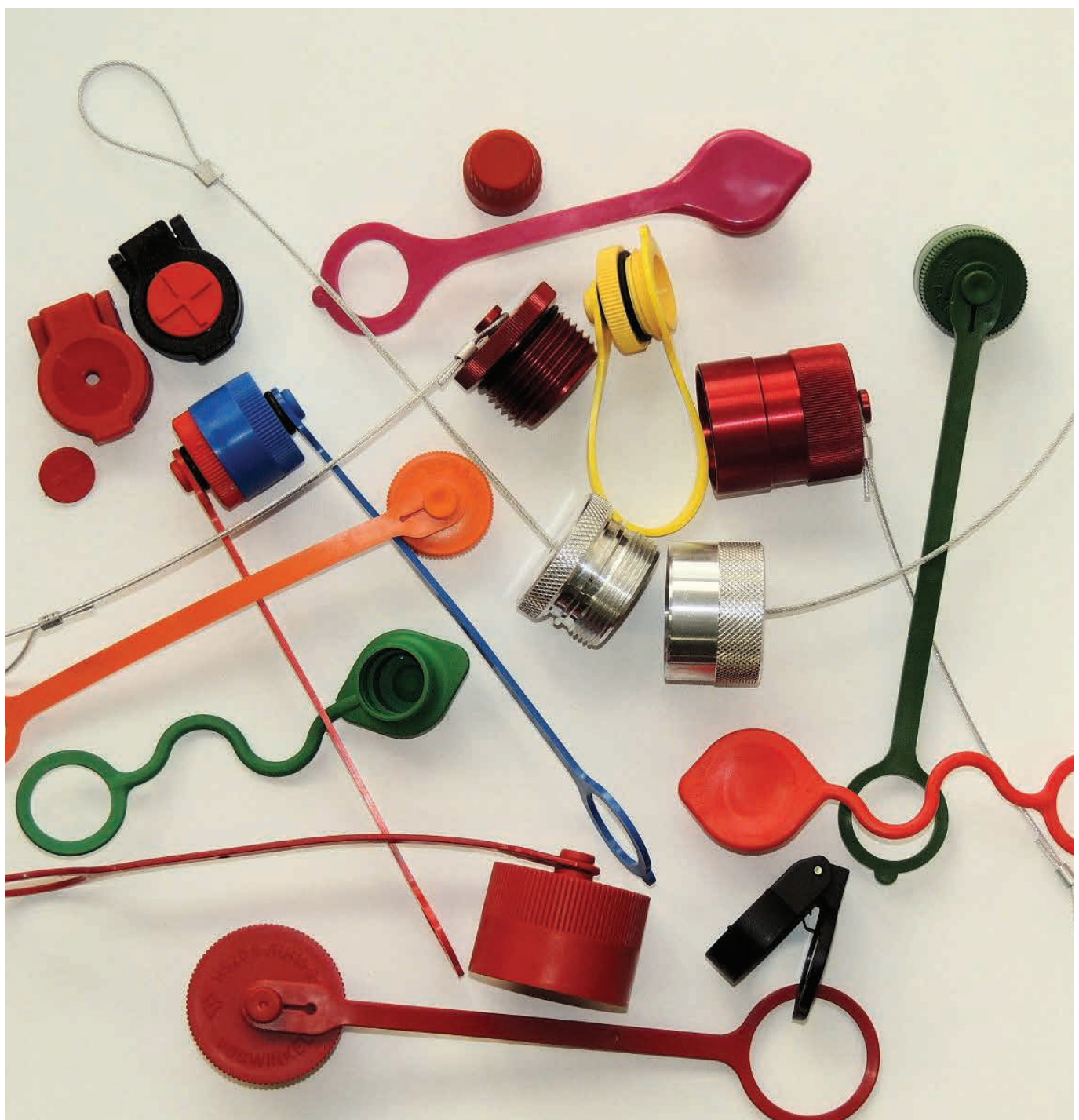
**Refrigeration**







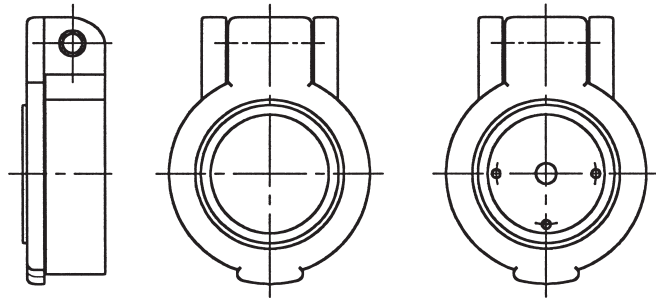
Dust cover clips	294
Dust cover body	294
Marking Clips	295
Safety Clamp with 4-hole flange	295
Anchor bracket for male tip	295
Seal Kits	296 - 297



## Dust cover clips

### Description

This dust guard can be fitted to the female body sleeve after installation for series HP and FH. The cap can be provided with an optional drill hole for a marking clip. Size HP10 is available in blue, yellow, red, green and black. Sizes HP08 and HP12 only in black.

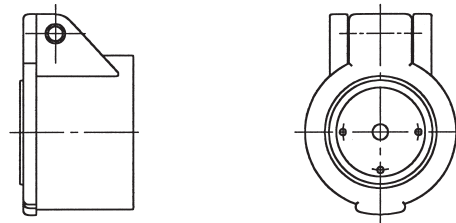


Type	Without bore	With bore
	VOSWINKEL Part Numbers STAUFF Ordering Codes	VOSWINKEL Part Numbers STAUFF Ordering Codes
HP08 + FF10/FH10		SZ08-6-SW001C1 QRC-SZ-SF-32/L-K-BK
HP10 + FF12/FH12	SZ10-6-SW001A1 QRC-SZ-SF-38-K-BK	SZ10-6-SW002C1 QRC-SZ-SF-38/L-K-BK
HP12 + FF19/FH19		SZ12-6-SW002C1 QRC-SZ-SF-46/L-K-BK

## Dust cover body

### Description

The dust guard is used to protect the carrier half against pollution. It is produced of black plastic. The cap can be delivered optional with a drill hole for a marking clip.



Type	Without bore	With bore
	VOSWINKEL Part Numbers STAUFF Ordering Codes	VOSWINKEL Part Numbers STAUFF Ordering Codes
RH08		RH08-7-SW001C1 QRC-RH-10-BF-30/L-K-BK





## Marking Clips

**Description**

The marking clips are used for identification purposes.



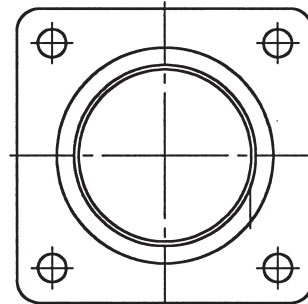
Mark	Colour	VOSWINKEL Part Numbers
		STAUFF Ordering Codes
1	red	SZ00-5-RT100
		QRC-SZ-CL-1-K-RD
2	red	SZ00-5-RT200
		QRC-SZ-CL-2-K-RD
3	green	SZ00-5-GN300
		QRC-SZ-CL-3-K-GN
4	green	SZ00-5-GN400
		QRC-SZ-CL-4-K-GN
5	yellow	SZ00-5-GE500
		QRC-SZ-CL-5-K-YE
6	yellow	SZ00-5-GE600
		QRC-SZ-CL-6-K-YE
7	blue	SZ00-5-BL700
		QRC-SZ-CL-7-K-BU
8	blue	SZ00-5-BL800
		QRC-SZ-CL-8-K-BU
II	white	SZ00-5-WS005
		QRC-SZ-CL-R2-K-WH
III	white	SZ00-5-WS009
		QRC-SZ-CL-R3-K-WH
Rückl.	black	SZ00-5-SW004
		QRC-SZ-CL-T-K-BK
Neutr.	black	SZ00-5-SW001
		QRC-SZ-CL-K-BK

## Safety Clamp with 4-hole flange

**Description**

This safety clamp enables the HP10 female body to be rigidly secured on the vehicle. The carrier is held in the clamp by a spring.

VOSWINKEL Part Numbers
STAUFF Ordering Codes
SZ10-1-V0015
QRC-SZ-BH-38-W66

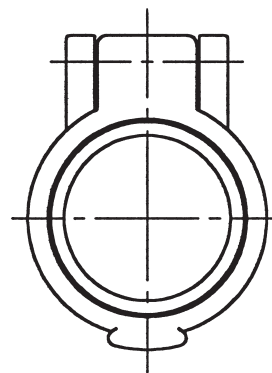
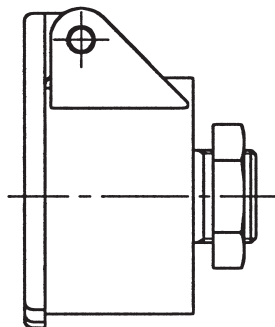


## Anchor bracket for male tip

**Description**

The anchor bracket allows the male tip to be parked when disconnected. This protects the probe from damage and dirt. The anchor bracket is made of red plastic and fitted with a spring-loaded cap.

VOSWINKEL Part Numbers
STAUFF Ordering Codes
SZ10-1-RT001A0
QRC-SZ-MH-24-K-RD



## Seal Kits

Type	Description	Amount	VOSWINKEL Part Numbers	STAUFF Ordering Codes
for female body				
HP04	O-ring Back up ring	25	HP04-1DICHTSATZ	QRC-HPA-04-FSK-BT
HP08	O-ring Back up ring	25	HP08-1DICHTSATZ	QRC-HP-04-FSK-BT
HP08A	O-ring Back up ring	20	HP08A1DICHTSATZ	QRC-HPA-10-FSK-BT
HP10	O-ring	50	HP10-1DICHTSATZ	QRC-HP-12-FSK-B
HP12	O-ring Back up ring	25	HP12-1DICHTSATZ	QRC-HP-19-FSK-BT
HP20	O-ring	25	HP20-1DICHTSATZ	QRC-HP-25-FSK-BT
for male tip				
FH06	O-ring PTFE ring	25	FH06-2DICHTSATZ	QRC-FH-06-MSK-PU
FH10	O-ring Profile packing	25	FH10-2DICHTSATZ	QRC-FH-10-MSK-BT
FH12	O-ring Profile packing	25	FH12-2DICHTSATZ	QRC-FH-12-MSK-BT
FH16	O-ring PTFE ring	25	FH16-2DICHTSATZ	QRC-FH-16-MSK-PU
FH19	O-ring Profile packing	25	FH19-2DICHTSATZ	QRC-FH-19-MSK-BT
FH25	O-ring PTFE ring	10	FH25-2DICHTSATZ	QRC-FH-19-MSK-BT
for male tip				
FF10	Profile packing	25	FF10-2DICHTSATZ	QRC-FF-10-MSK-PU
FF12	Profile packing	25	FF12-2DICHTSATZ	QRC-FF-12-MSK-PU
FF19	Profile packing	25	FF19-2DICHTSATZ	QRC-FF-19-MSK-PU
for female body				
HS04	O-ring Back up ring Arrest ring	25	HS04-1DICHTSATZ	QRC-HS-06-FSK-BT
HS08	O-ring Back up ring Arrest ring	25	HS08-1DICHTSATZ	QRC-HS-10-FSK-BT
HS10	O-ring Back up ring Arrest ring	50	HS10-1DICHTSATZ	QRC-HS-12-FSK-BT
HS12	O-ring Back up ring Arrest ring	25	HS12-1DICHTSATZ	QRC-HS-19-FSK-BT
HS20	O-ring Back up ring Arrest ring	25	HS20-1DICHTSATZ	QRC-HS-25-FSK-BT
HS25	O-ring Back up ring Arrest ring	10	HS25-1DICHTSATZ	QRC-HS-38-FSK-BT

**Note:** Any disconnection of the coupling leads up to the expiration of the guarantee.



## Seal Kits

Type	Description	Amount	VOSWINKEL Part Numbers	STAUFF Ordering Codes
for male tip				
FT10	O-ring	10	FT10-2DICHTSATZ	QRC-FT-10-MSK-BT
	Profile packing			
	O-ring			
FT12	O-ring	10	FT12-2DICHTSATZ	QRC-FT-12-MSK-BT
	Profile packing			
	O-ring			
FT16	O-ring	10	FT16-2DICHTSATZ	QRC-FT-12-MSK-BT
	Profile packing			
	O-ring			
FT19	O-ring	10	FT19-2DICHTSATZ	QRC-FT-19-MSK-BT
	Profile packing			
	O-ring			
FT32	O-ring	10	FT32-2DICHTSATZ	QRC-FT-31-MSK-BT
	Profile packing			
	O-ring			
for female body				
PS32	Back up ring	5	PS32-1DICHTSATZ	QRC-PS-31-FSK-S4
	O-ring			
	O-ring			
for female body				
RH08	O-ring	25	RH08-1DICHTSATZ	QRC-RH-10-FSK-BT
	Back up ring			
RH12	O-ring	25	RH12-1DICHTSATZ	QRC-RH-12-FSK-BT
	Back up ring			
RH16	O-ring	10	RH16-1DICHTSATZ	QRC-RH-16-FSK-BT
	Back up ring			
RK20	O-ring	10	RK20-1DICHTSATZ	QRC-RK-19-FSK-BT
	Back up ring			
RH25	O-ring	10	RH25-1DICHTSATZ	QRC-RH-25-FSK-BT
	Back up ring			

**Note: Any disconnection of the coupling leads up to the expiration of the guarantee.**





Safety Regulations	300
--------------------	-----

Standard Connection Sizes	301
---------------------------	-----



## Safety Regulations for Handling of Quick Release Couplings and Accessories

### Important !

Incorrect selection or incorrect and inexpert handling of couplings and accessories may result in property damage or personal injury.

- High velocity fluid discharge
- Explosion or combustion of the conveyed fluid
- Collision with moving or dropping components, caused by failure of a hydraulic circuit
- Dangerous whipping of hydraulic hoses
- Risk of injury through contacting hot, cold or otherwise dangerous fluids

Read and observe the following instructions prior to selecting and using a snap-in coupling or associated accessories.

### 1 General Notes

#### 1.1 General

This section contains instructions on selection and handling (installation, coupling and uncoupling and maintenance). This is to be understood as additional safety notes and must be taken into consideration in the use and application of the products.

#### 1.2 Safety Measures

Couplings may possibly fail without prior warning. Take this into consideration when planning the safety devices of your system or plant.

#### 1.3 Information for the User

Forward these safety notes to the persons responsible for the selection and handling of couplings. Use only couplings for which you have received and understood product-specific information.

### 1.4 Responsibility of the User

Due to the versatile range of applications of couplings, not every application case and every technical detail can be dealt with in this document.

The user is responsible for:

- final selection of the product
- fulfilment of requirements by the operator
- safety of operating personnel and plant
- safety measures necessary in the use of couplings

Should you have any further questions, please contact our sales department.

### 2 Correct Selection of Couplings

#### 2.1 Pressure Range

The coupling to be used must be selected so that the maximum permissible operating pressure is equal to or higher than the system pressure. Pressure peaks in the system in excess of the operating pressure reduce the service life of the couplings and therefore should be taken into consideration when making the selection.

#### 2.2 Resistance to Media

The Sealing Materials in the couplings are suitable for a large variety of pressure media. Information on the compatibility of a particular type of fluid are available upon request from product manager.

#### 2.3 Operating Temperature

The indication of operating temperatures in the technical specifications represents maximum values. These values may not be exceeded in standing or flowing circuits. For actuation the natural warming of the coupling must also be taken into consideration.

### 2.4 Size

The selection of the size and type of connection depends on the required transmission of forces. For this purpose, refer to the corresponding diagrams. Flow volume, pressure loss and flow speed should be taken into consideration when selecting the correct size of a coupling. Should these values be exceeded, malfunctions within the coupling may occur.

### 2.5 Mechanical Connection

The connection of the two halves of a coupling is achieved depending on the type. It is important to observe the positive engagement of plug-type couplings and the secure tightening of screw-type couplings to the limit stop of the thread. Forced or improper separation will result in malfunction of the coupling.

### 2.6 Thermal Stress

Excessive warming of the coupling above the recommended operating temperature, for instance due to welding or soldering, can cause the formation of dangerous gases. In addition, the protective surface finish (galvanization) will be damaged and the function of the coupling may be impaired.

### 2.7 Guidelines

Applicable specifications, standards and regulations as well as technical rules must be taken into consideration in the selection of couplings.





## Standard Connection Sizes

ISO 4397	VOSWINKEL Inch Sizes		Flange				Metric Ports						Imperial Ports						
			ISO 6162-1	ISO 6261-2	DIN EN ISO 8434-1		EN ISO 6149		EN ISO 9974		ISO 1179 BSP		SAE J514	SAE J1453	SAE J1926-1 ISO 11926	ANSI B 1.20.1 ANSI B 1.20.3			
	Nominal hose size	DN	Inch	350 bar (3000 PSI)	420 bar (6000 PSI)	light series	heavy series	light series	heavy series	light series	heavy series	light series	heavy series	light series	heavy series	JIC 37° UN / UNF	ORS UN / UNF	UN / UNF	NPT / NPTF
3,2	03	1/8						M8x1	M10x1										
4	04					M12x1,5-6	M14x1,5-6	M10x1	M12x1,5	M10x1	M12x1,5	G 1/8							1/8-27
5	05	3/16					M16x1,5-8			M12x1,5	M14x1,5		G 1/4			7/16-20	9/16-18	7/16-20	
6,3	06	1/4				M14x1,5-8	M18x1,5-10	M12x5	M14x1,5	M14x1,5	M16x1,5	G 1/4			1/2-20	1 1/16-16			1/4-18
8	08	5/16				M16x1,5-10	M20x1,5-12	M16x1,5		M16x1,5	M18x1,5		G 3/8			9/16-18		9/16-18	
10	10	3/8				M18x1,5-12	M22x1,5-14	M18x1,8	M18x1,5	M18x1,5	M20x1,5	G 3/8			3/4-16	1 3/16-16	3/4-16		3/8-18
12,5	12	1/2	13 (1/2")	13 (1/2")		M22x1,5-15	M24x1,5-16	M22x1,5	M22x1,5	M22x1,5	M22x1,5	G 1/2	G 1/2		7/8-14	1-14	7/8-14		1/2-14
16	16	5/8				M26x1,5-18	M30x2-20	M27x2	M30x2		M27x2		G 3/4		1 1/16-12	1 3/16-12	1 1/16-12		
19	19	3/4	19 (3/4")	19 (3/4")		M30x2-20	M36x2-25	M30x2	M33x2	M26x1,5	M33x2	G 3/4	G 1		1 5/16-12	1 7/16-12	1 5/16-12		3/4-14
25	25	1	25 (1")	25 (1")		M36x2-25	M42x2-30	M33x2	M42x2	M33x2	M42x2	G 1	G 1 1/4		1 5/8-12	1 11/16-12	1 5/8-12		1-11,5
31,5	31	1 1/4	32 (1 1/4")	32 (1 1/4")		M45x2-35	M52x2-38	M42x2	M48x2	M42x2	M48x2	G 1 1/4	G 1 1/2		1 7/8-12	2-12	1 7/8-12		1 1/4-11,5
38	38	1 1/2	38 (1 1/2")	38 (1 1/2")		M52x2-42		M48x2	M60x2			G 1 1/2	G 2		2 1/2-12				1 1/2-11,5
51	51	2	51 (2")	51 (2")											3-12				2-11,5
63	63	2 1/2	64 (2 1/2")	64 (2 1/2")											3 1/2-12				

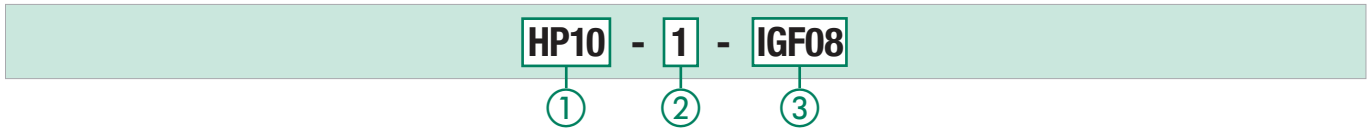




Structure of the Part Numbers	304 - 305
Product-Specific Abbreviations	306 - 308
Global Contact Directory	310 - 311



## Structure of the VOSWINKEL Part Numbers

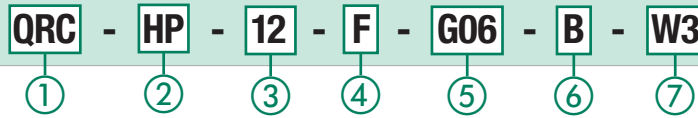


① Type and DN ② Component of coupling ③ Type and size of connection

Series		Component		Type of connection	
HP	Quick release coupling acc. to ISO 7241-1, Series A, Push-Pull type	0	Dust cap	AGF	Male thread BSP acc. to DIN 3852
ZP	Quick release coupling acc. to ISO 7241-1, Series A, Push-Pull type, sleeve of die-cast zinc	1	Female body with valve	AMF	Male thread metric acc. to DIN 3852
AP	Quick release coupling acc. to ISO 7241-1, Series A, Push-Pull type, breakaway-coupling	2	Male tip with valve	IGF	Female thread BSP acc. to DIN 3852
HU	Quick release coupling acc. to ISO 7241-1, Series A, male tip connect under pressure	3	Female body with dust plug	IMF	Female thread metric acc. to DIN 3852
UX	Quick release coupling acc. to ISO 7241-1, Series A, Push-Pull type, connect under pressure	4	Male tip with dust cap	INF	Female thread NPTF
IA	Quick release coupling acc. to ISO 7241-1, Series A	5	Female body with fixed dust protection	IUF	Female thread UNF
IA-VA	Quick release coupling acc. to ISO 7241-1, Series A, stainless steel	6	Male tip without valve	L	24 ° cone / DIN 2353 light series
ID	Quick release coupling	7	Female body without valve	S	24 ° cone / DIN 2353 heavy series
HG	Quick release coupling	8	Complete coupling	N	24 ° cone / DIN 2353 light series, bulkhead
IB	Quick release coupling acc. to ISO 7241-1, Series B	9	Dust plug	T	24 ° cone / DIN 2353 heavy series, bulkhead
IB-MS	Quick release coupling acc. to ISO 7241-1, Series B, brass			AFS	Flange acc. SAE
IB-VA	Quick release coupling acc. to ISO 7241-1, Series B, stainless steel			SL	Hose connection
FH	Quick release flat face coupling acc. to ISO 16028				
FU	Quick release flat face coupling acc. to ISO 16028, connection under pressure				
FH-VA	Quick release flat face coupling acc. to ISO 16028, stainless steel				
FO-VA	Quick release flat face coupling, stainless steel				
BP	Coupling for tractor braking system acc. to ISO 5676				
HC	Quick release flat face coupling				
HD	Quick release flat face coupling				
MK	Multicoupling system, flat face				
HS	Screw on type coupling acc. ISO 14541				
HS-VA	Screw on type coupling acc. ISO 14541, stainless steel				
HT	Screw on type coupling, wing style				
HM	Screw on type coupling, wing style				
HV	Screw on type coupling, wing style				
HI	Screw on type coupling acc. ISO 14540				
HJ	Screw on type coupling acc. ISO 14540				
HB	Screw on type coupling				
HH	Screw on type coupling				
HH-VA	Screw on type coupling, stainless steel				
FT	Flat face screw on type coupling, connection under pressure				
RK/RH	Screw on type coupling, pipeline coupling, flat face				
PS	Screw on type coupling, for hammer application				
HR	Screw on type coupling				
KN	Quick release coupling, plastic construction				



## Structure of the STAUFF Ordering Codes



- ① Quick release coupling (QRC) ② Coupling series ③ Coupling size\* ④ Component of coupling ⑤ Type and Size of connection  
⑥ Sealing Material ⑦ Surface / material

2. Series		4. Component of coupling		5. Type of connection	
HP	Quick release coupling acc. to ISO 7241-1, Series A, Push-Pull type	CC	Complete Coupling	Gxx	BSP female thread ISO 1179
ZP	Quick release coupling acc. to ISO 7241-1, Series A, Push-Pull type, sleeve of die-cast zinc	F	Female body with valve	Bxx	BSP male thread ISO 1179
AP	Quick release coupling acc. to ISO 7241-1, Series A, Push-Pull type, breakaway-coupling	FD	Female body with dust plug / cap	NFxx	NPTF female thread ANSI B 1.20.3
HU	Quick release coupling acc. to ISO 7241-1, Series A, male tip connect under pressure	FF	Female body with fixed dust cover flap lid	Uxx	UNF female thread SAE J1926-1, ISO 11926
UX	Quick release coupling acc. to ISO 7241-1, Series A, Push-Pull type, connect under pressure	M	Male tip with valve	MxxM	Metric male thread ISO 6149
IA	Quick release coupling acc. to ISO 7241-1, Series A	MW	Male tip without valve	Mxx	Metric female thread ISO 6149
IA-VA	Quick release coupling acc. to ISO 7241-1, Series A, stainless steel	MD	Male tip with dust cap / plug	xxL	Metric male thread with 24° cone light series ISO 8434-1
ID	Quick release coupling	DF	Dust cap/ plug for female	xxN	Metric male thread with 24° cone light series, ISO 8434-1, bulkhead
HG	Quick release coupling	DM	Dust cap/ plug for male	xxS	Metric male thread with 24° cone heavy series ISO 8434-1
IB	Quick release coupling acc. to ISO 7241-1, Series B	SF	Slip-on flip lid	xxT	Metric male thread with 24° cone heavy series, ISO 8434-1, bulkhead
IB-MS	Quick release coupling acc. to ISO 7241-1, Series B, brass	BF	Dust cover body with flip-lid	F6xx	Flange head 420 bar (6000 PSI), ISO 6262-2
IB-VA	Quick release coupling acc. to ISO 7241-1, Series B, stainless steel	HM	Male tip holder (parking station for male tip)	F3xx	Flange head 350 bar (3000 PSI), ISO 6162-1
FH	Quick release flat face coupling acc. to ISO 16028	BH	Breakaway holder		
FU	Quick release flat face coupling acc. to ISO 16028, connection under pressure	FSK	Female body sealing kit		
FH-VA	Quick release flat face coupling acc. to ISO 16028, stainless steel	MSK	Male tip sealing kit		
FO-VA	Quick release flat face coupling, stainless steel	FP	Fixed part		
BP	Coupling for tractor braking system acc. to ISO 5676	MP	Mobile part		
HC	Quick release flat face coupling	LV	Lock valve		
HD	Quick release flat face coupling	SP	Spare parts		
MK	Multicoupling system, flat face				
HS	Screw on type coupling acc. ISO 14541				
HS-VA	Screw on type coupling acc. ISO 14541, stainless steel				
HT	Screw on type coupling, wing style				
HM	Screw on type coupling, wing style				
HV	Screw on type coupling, wing style				
HI	Screw on type coupling acc. ISO 14540				
HJ	Screw on type coupling acc. ISO 14540				
HB	Screw on type coupling				
HH	Screw on type coupling				
HH-VA	Screw on type coupling, stainless steel				
FT	Flat face screw on type coupling, connection under pressure				
RK/RH	Screw on type coupling, pipeline coupling, flat face				
PS	Screw on type coupling, for hammer application				
HR	Screw on type coupling				
KN	Quick release coupling, plastic construction				
6. Sealing Material		7. Surface / material			
B	NBR (Buna-N®)	W3	Steel, zinc-nickel plated		
PT	PTFE (Teflon)	W4	Stainless steel V2A		
V	FKM (Viton®)	W5	Stainless steel V4A		
E	EPDM (Ethylen-Propylen Dien-Kautschuk)	W48	Steel, zinc plated (with Chrome VI, A3C)		
PU	Polyurethan	W66	steel chromium VI-free zinc plated plus thick-layer-passivation (contents CrIII)		
BT	NBR (Buna-N®) + PTFE (Teflon)	W69	Brass		
VT	FKM (Viton®) + PTFE (Teflon)	W89	Aluminium exloxtated		
BP	NBR (Buna-N®) + PU (Polyurethan)	W126	Aluminium exloxtated and Stainless steel V2A		
BV	NBR (Buna-N®) + FKM (Viton®)	W138	Steel, zinc-nickel plated and zink (with Chrome VI) plated		
VP	FKM (Viton®) + PU (Polyurethan)	W139	Brass and Plastic		
S1	NBR (Buna-N®) + PU (Polyurethan) + PTFE (Teflon)	W162	Brass and steel chromium VI-free zinc plated plus thick-layer-passivation (contents CrIII)		
S2	NBR (Buna-N®) + PU (Polyurethan) + PTFE (Teflon) + FKM (Viton®)	K	Plastic		
HB	High temperature NBR				
HV	High temperature NBR + FKM (Viton®)				
S3	High temperature NBR + FKM (Viton®) + PTFE (Teflon)				
S4	NBR (Buna-N®) + FKM (Viton®) + PTFE (Teflon)				

\* Please see page 301 for Coupling sizes.



## Product-Specific Abbreviations

Abbreviation	Product Category	Product Description	Page
HP 04	Push-to-Connect Couplings	Series HP 04 ▪ BG 1 ▪ Nominal Size 6,3	20
HP 08	Push-to-Connect Couplings	Series HP 08 ▪ BG 2 ▪ Nominal Size 10	21
HP 08A	Push-to-Connect Couplings	Series HP 08A ▪ BG 2 ▪ Nominal Size 10	22
HP 10	Push-to-Connect Couplings	Series HP 10 ▪ BG 3 ▪ Nominal Size 12,5	23
HP 10	Push-to-Connect Couplings	Series HP 10 ▪ BG 3 ▪ Nominal Size 12,5	24
ZP 10	Push-to-Connect Couplings	Series ZP 10 ▪ BG 3 ▪ Nominal Size 12,5	25
AP 10	Push-to-Connect Couplings	Series AP 10 ▪ BG 3 ▪ Nominal Size 12,5	26
HP 12	Push-to-Connect Couplings	Series HP 12 ▪ BG 6 ▪ Nominal Size 19	27
HP 20	Push-to-Connect Couplings	Series HP 20 ▪ BG 8 ▪ Nominal Size 25	28
HU 12	Push-to-Connect Couplings	Series HU 12 ▪ BG 3 ▪ Nominal Size 12,5 ▪ Connect under Pressure	29
HP and HU Dust Protection	Push-to-Connect Couplings	Series HP and Series HU ▪ Dust Protection	30
UX 10	Push-to-Connect Couplings	Series UX 10 ▪ BG 3 ▪ Nominal Size 12,5	33
UX 10	Push-to-Connect Couplings	Series UX 10 ▪ BG 3 ▪ Nominal Size 12,5	34
IA 06	Push-to-Connect Couplings	Series IA 06 ▪ BG 1 ▪ Nominal Size 6,3	38
IA 10	Push-to-Connect Couplings	Series IA 10 ▪ BG 2 ▪ Nominal Size 10	39
IA 12	Push-to-Connect Couplings	Series IA 12 ▪ BG 3 ▪ Nominal Size 12,5	40
IA 19	Push-to-Connect Couplings	Series IA 19 ▪ BG 6 ▪ Nominal Size 19	41
IA 25	Push-to-Connect Couplings	Series IA 25 ▪ BG 8 ▪ Nominal Size 25	42
IA 31	Push-to-Connect Couplings	Series IA 31 ▪ BG 10 ▪ Nominal Size 31	43
IA 38	Push-to-Connect Couplings	Series IA 38 ▪ BG 12 ▪ Nominal Size 38	44
IA 51	Push-to-Connect Couplings	Series IA 51 ▪ BG 14 ▪ Nominal Size 51	45
IA Dust Protection	Push-to-Connect Couplings	Series IA ▪ Dust Protection	46
IA 06-VA	Push-to-Connect Couplings	Series IA 06-VA ▪ BG 1 ▪ Nominal Size 6,3	50
IA 10-VA	Push-to-Connect Couplings	Series IA 10-VA ▪ BG 2 ▪ Nominal Size 10	51
IA 12-VA	Push-to-Connect Couplings	Series IA 12-VA ▪ BG 3 ▪ Nominal Size 12,5	52
IA 19-VA	Push-to-Connect Couplings	Series IA 19-VA ▪ BG 6 ▪ Nominal Size 19	53
IA 25-VA	Push-to-Connect Couplings	Series IA 25-VA ▪ BG 8 ▪ Nominal Size 25	54
IA 31-VA	Push-to-Connect Couplings	Series IA 31-VA ▪ BG 10 ▪ Nominal Size 31	55
IA 38-VA	Push-to-Connect Couplings	Series IA 38-VA ▪ BG 12 ▪ Nominal Size 38	56
IA 51-VA	Push-to-Connect Couplings	Series IA 51-VA ▪ BG 14 ▪ Nominal Size 51	57
IA-VA Dust Protection	Push-to-Connect Couplings	Series IA-VA ▪ Dust Protection	58
ID 06	Push-to-Connect Couplings	Series ID 06 ▪ BG 1 ▪ Nominal Size 6,3	62
ID 10	Push-to-Connect Couplings	Series ID 10 ▪ BG 2 ▪ Nominal Size 10	63
ID 19	Push-to-Connect Couplings	Series ID 19 ▪ BG 6 ▪ Nominal Size 19	64
ID 25	Push-to-Connect Couplings	Series ID 25 ▪ BG 8 ▪ Nominal Size 25	65
ID Dust Protection	Push-to-Connect Couplings	Series ID ▪ Dust Protection	66
HG 25	Push-to-Connect Couplings	Series HG 25 ▪ BG 8 ▪ Nominal Size 25	69
IB 04	Push-to-Connect Couplings	Series IB 04 ▪ BG 0 ▪ Nominal Size 3	74
IB 06	Push-to-Connect Couplings	Series IB 06 ▪ BG 1 ▪ Nominal Size 6,3	75
IB 10	Push-to-Connect Couplings	Series IB 10 ▪ BG 2 ▪ Nominal Size 10	76
IB 12	Push-to-Connect Couplings	Series IB 12 ▪ BG 3 ▪ Nominal Size 12,5	77
IB 19	Push-to-Connect Couplings	Series IB 19 ▪ BG 6 ▪ Nominal Size 19	78
IB 25	Push-to-Connect Couplings	Series IB 25 ▪ BG 8 ▪ Nominal Size 25	79
IB 38	Push-to-Connect Couplings	Series IB 38 ▪ BG 12 ▪ Nominal Size 38	80
IB 51	Push-to-Connect Couplings	Series IB 51 ▪ BG 14 ▪ Nominal Size 51	81
IB Dust Protection	Push-to-Connect Couplings	Series IB ▪ Dust Protection	82
IB 06-MS	Push-to-Connect Couplings	Series IB 06-MS ▪ BG 1 ▪ Nominal Size 6,3	86
IB 10-MS	Push-to-Connect Couplings	Series IB 10-MS ▪ BG 2 ▪ Nominal Size 10	87
IB 12-MS	Push-to-Connect Couplings	Series IB 12-MS ▪ BG 3 ▪ Nominal Size 12,5	88
IB 19-MS	Push-to-Connect Couplings	Series IB 19-MS ▪ BG 6 ▪ Nominal Size 19	89
IB 25-MS	Push-to-Connect Couplings	Series IB 25-MS ▪ BG 8 ▪ Nominal Size 25	90
IB 38-MS	Push-to-Connect Couplings	Series IB 38-MS ▪ BG 12 ▪ Nominal Size 38	91
IB 51-MS	Push-to-Connect Couplings	Series IB 51-MS ▪ BG 14 ▪ Nominal Size 51	92
IB-MS Dust Protection	Push-to-Connect Couplings	Series IB-MS ▪ Dust Protection	93
IB 06-VA	Push-to-Connect Couplings	Series IB 06-VA ▪ BG 1 ▪ Nominal Size 6,3	98
IB 10-VA	Push-to-Connect Couplings	Series IB 10-VA ▪ BG 2 ▪ Nominal Size 10	99
IB 12-VA	Push-to-Connect Couplings	Series IB 12-VA ▪ BG 3 ▪ Nominal Size 12,5	100
IB 19-VA	Push-to-Connect Couplings	Series IB 19-VA ▪ BG 6 ▪ Nominal Size 19	101
IB 25-VA	Push-to-Connect Couplings	Series IB 25-VA ▪ BG 8 ▪ Nominal Size 25	102
IB 38-VA	Push-to-Connect Couplings	Series IB 38-VA ▪ BG 12 ▪ Nominal Size 38	103
IB 51-VA	Push-to-Connect Couplings	Series IB 51-VA ▪ BG 14 ▪ Nominal Size 51	104
IB-VA Dust Protection	Push-to-Connect Couplings	Series IB-VA ▪ Dust Protection	105
FH 06	Push-to-Connect Couplings	Series FH 06 ▪ BG 1 ▪ Nominal Size 6,3	111
FF 10	Push-to-Connect Couplings	Series FF 10 ▪ BG 2 ▪ Nominal Size 10	112
FU 10	Push-to-Connect Couplings	Series FU 10 ▪ BG 2 ▪ Nominal Size 10 ▪ Connect under Pressure	113
FF 12	Push-to-Connect Couplings	Series FF 12 ▪ BG 3 ▪ Nominal Size 12	114
FU 12	Push-to-Connect Couplings	Series FU 12 ▪ BG 3 ▪ Nominal Size 12 ▪ Connect under Pressure	115
FH 16	Push-to-Connect Couplings	Series FH 16 ▪ BG 4 ▪ Nominal Size 16	116
FF 19	Push-to-Connect Couplings	Series FF 19 ▪ BG 6 ▪ Nominal Size 19	117
FU 19	Push-to-Connect Couplings	Series FU 19 ▪ BG 6 ▪ Nominal Size 19 ▪ Connect under Pressure	118
FH 25	Push-to-Connect Couplings	Series FH 25 ▪ BG 8 ▪ Nominal Size 25	119
FX 38	Push-to-Connect Couplings	Series FX 38 ▪ BG 12 ▪ Nominal Size 31,5	120
FH 51	Push-to-Connect Couplings	Series FH 51 ▪ BG 14 ▪ Nominal Size 50	121
FH/FU/FF Dust Protection	Push-to-Connect Couplings	Series FH/FU/FF ▪ Dust Protection	122





## Product-Specific Abbreviations

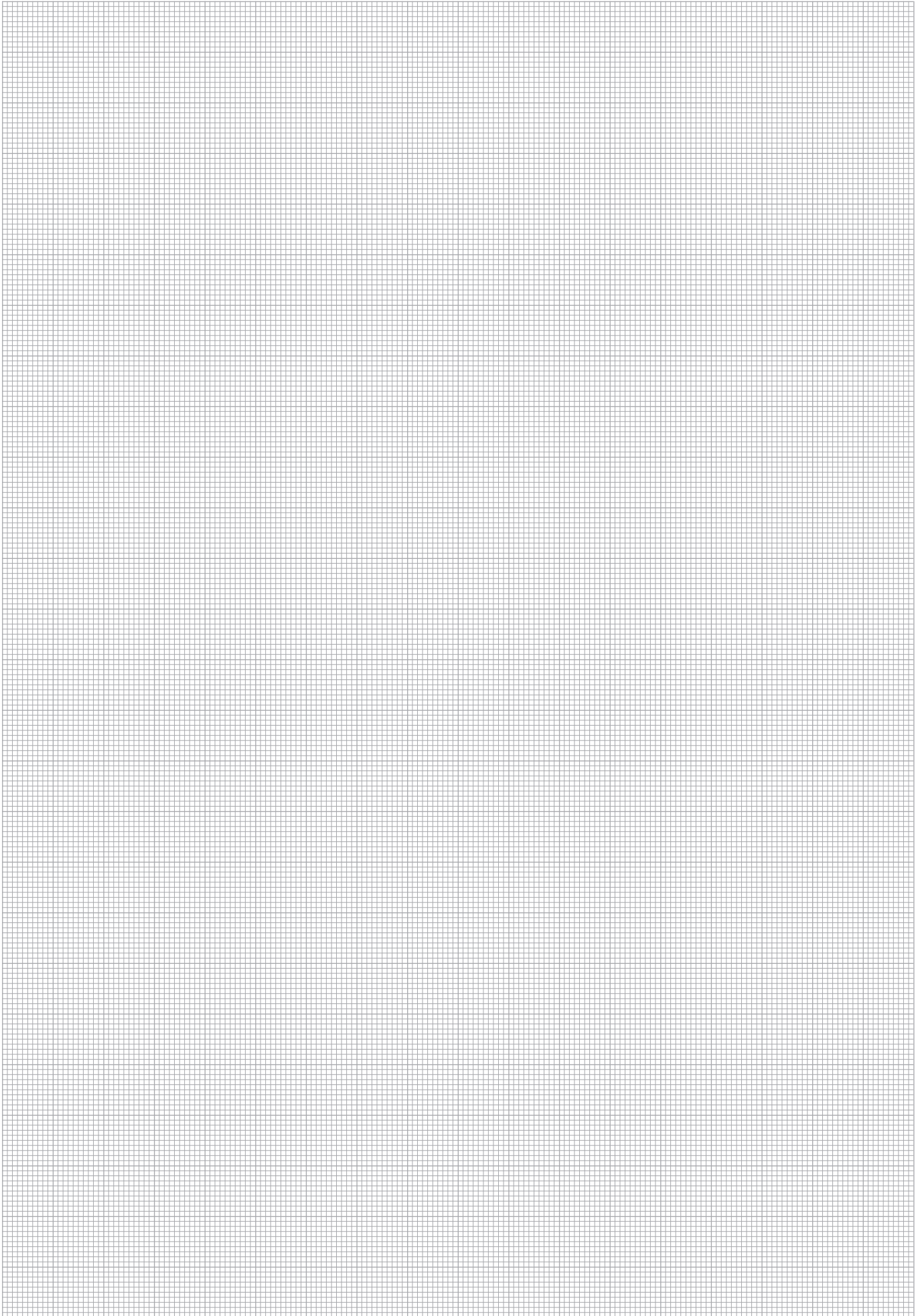
Abbreviation	Product Category	Product Description	Page
FH 10-VA	Push-to-Connect Couplings	Series FH 10-VA ▪ BG 2 ▪ Nominal Size 10	127
FH 12-VA	Push-to-Connect Couplings	Series FH 12-VA ▪ BG 3 ▪ Nominal Size 12	128
FH 19-VA	Push-to-Connect Couplings	Series FH 19-VA ▪ BG 6 ▪ Nominal Size 19	129
FO 06-VA	Push-to-Connect Couplings	Series FO 06-VA ▪ BG 1 ▪ Nominal Size 6,3	134
FO 10-VA	Push-to-Connect Couplings	Series FO 10-VA ▪ BG 2 ▪ Nominal Size 10	135
FO 10-VA	Push-to-Connect Couplings	Series FO 10-VA ▪ BG 3 ▪ Nominal Size 12,5	136
FO 10-VA	Push-to-Connect Couplings	Series FO 10-VA ▪ BG 6 ▪ Nominal Size 19	137
FO 25-VA	Push-to-Connect Couplings	Series FO 25-VA ▪ BG 8 ▪ Nominal Size 25	138
BP 10	Push-to-Connect Couplings	Series BP 10 ▪ BG 3 ▪ Nominal Size 12,5	141
BP Dust Protection	Push-to-Connect Couplings	Series BP ▪ Dust Protection	142
HC 06	Push-to-Connect Couplings	Series HC 06 ▪ BG 1 ▪ Nominal Size 6,3	145
HC Dust Protection	Push-to-Connect Couplings	Series HC ▪ Dust Protection	146
HD 06	Push-to-Connect Couplings	Series HD 06 ▪ BG 1 ▪ Nominal Size 6,3	149
HD Dust Protection	Push-to-Connect Couplings	Series HD ▪ Dust Protection	150
MK 24	Multi Couplings	Series MK 24 ▪ BG 2 ▪ Nominal Size 10	155
MK 74	Multi Couplings	Series MK 74 ▪ BG 2 ▪ Nominal Size 10	156
HS 04	Screw-to-Connect Couplings	Series HS 04 ▪ BG 1 ▪ Nominal Size 6,3	162
HS 08	Screw-to-Connect Couplings	Series HS 08 ▪ BG 2 ▪ Nominal Size 10	163
HS 10	Screw-to-Connect Couplings	Series HS 10 ▪ BG 3 ▪ Nominal Size 12,5	164
HS 10	Screw-to-Connect Couplings	Series HS 10 ▪ BG 3 ▪ Nominal Size 12,5	165
HS 12	Screw-to-Connect Couplings	Series HS 12 ▪ BG 6 ▪ Nominal Size 19	166
HS 20	Screw-to-Connect Couplings	Series HS 20 ▪ BG 8 ▪ Nominal Size 25	167
HS 20	Screw-to-Connect Couplings	Series HS 20 ▪ BG 8 ▪ Nominal Size 25	168
HS 25	Screw-to-Connect Couplings	Series HS 25 ▪ BG 12 ▪ Nominal Size 38	169
HS Special Designs	Screw-to-Connect Couplings	Series HS ▪ Special Designs	170
HS Dust Protection	Screw-to-Connect Couplings	Series HS ▪ Dust Protection	171
HS 06-VA	Screw-to-Connect Couplings	Series HS 06-VA ▪ BG 1 ▪ Nominal Size 6,3	176
HS 10-VA	Screw-to-Connect Couplings	Series HS 10-VA ▪ BG 2 ▪ Nominal Size 10	177
HS 12-VA	Screw-to-Connect Couplings	Series HS 12-VA ▪ BG 3 ▪ Nominal Size 12,5	178
HS 19-VA	Screw-to-Connect Couplings	Series HS 19-VA ▪ BG 6 ▪ Nominal Size 19	179
HS 25-VA	Screw-to-Connect Couplings	Series HS 25-VA ▪ BG 8 ▪ Nominal Size 25	180
HS 38-VA	Screw-to-Connect Couplings	Series HS 38-VA ▪ BG 12 ▪ Nominal Size 38	181
HS-VA Dust Protection	Screw-to-Connect Couplings	Series HS-VA ▪ Dust Protection	182
HT 19	Screw-to-Connect Couplings	Series HT 19 ▪ BG 6 ▪ Nominal Size 19	185
HT 25	Screw-to-Connect Couplings	Series HT 25 ▪ BG 8 ▪ Nominal Size 25	186
HT Dust Protection	Screw-to-Connect Couplings	Series HT ▪ Dust Protection	187
HM 19	Screw-to-Connect Couplings	Series HM 19 ▪ BG 6 ▪ Nominal Size 19	192
HM 25	Screw-to-Connect Couplings	Series HM 25 ▪ BG 8 ▪ Nominal Size 25	193
HM 31	Screw-to-Connect Couplings	Series HM 31 ▪ BG 10 ▪ Nominal Size 31	194
HM 38	Screw-to-Connect Couplings	Series HM 38 ▪ BG 12 ▪ Nominal Size 38	195
HM Dust Protection	Screw-to-Connect Couplings	Series HM ▪ Dust Protection	196
HV 19	Screw-to-Connect Couplings	Series HV 19 ▪ BG 6 ▪ Nominal Size 19	200
HV 25	Screw-to-Connect Couplings	Series HV 25 ▪ BG 8 ▪ Nominal Size 25	201
HV 31	Screw-to-Connect Couplings	Series HV 31 ▪ BG 10 ▪ Nominal Size 31	202
HV 38	Screw-to-Connect Couplings	Series HV 38 ▪ BG 12 ▪ Nominal Size 38	203
HV 51	Screw-to-Connect Couplings	Series HV 51 ▪ BG 14 ▪ Nominal Size 51	204
HV Dust Protection	Screw-to-Connect Couplings	Series HV ▪ Dust Protection	205
HI 06	Screw-to-Connect Couplings	Series HI 06 ▪ BG 1 ▪ Nominal Size 6,3	209
HI 10	Screw-to-Connect Couplings	Series HI 10 ▪ BG 2 ▪ Nominal Size 10	210
HJ 10	Screw-to-Connect Couplings	Series HJ 10 ▪ BG 2 ▪ Nominal Size 10	213
HB 10	Screw-to-Connect Couplings	Series HB 10 ▪ BG 2 ▪ Nominal Size 10	218
HB 12	Screw-to-Connect Couplings	Series HB 12 ▪ BG 3 ▪ Nominal Size 12,5	219
HB 19	Screw-to-Connect Couplings	Series HB 19 ▪ BG 6 ▪ Nominal Size 19	220
HB 25	Screw-to-Connect Couplings	Series HB 25 ▪ BG 8 ▪ Nominal Size 25	221
HB Dust Protection	Screw-to-Connect Couplings	Series HB ▪ Dust Protection	222
HH 10	Screw-to-Connect Couplings	Series HH 10 ▪ BG 2 ▪ Nominal Size 10	226
HH 12	Screw-to-Connect Couplings	Series HH 12 ▪ BG 3 ▪ Nominal Size 12,5	227
HH 19	Screw-to-Connect Couplings	Series HH 19 ▪ BG 6 ▪ Nominal Size 19	228
HH 25	Screw-to-Connect Couplings	Series HH 25 ▪ BG 8 ▪ Nominal Size 25	229
HH 31	Screw-to-Connect Couplings	Series HH 31 ▪ BG 10 ▪ Nominal Size 31	230
HH 38	Screw-to-Connect Couplings	Series HH 38 ▪ BG 12 ▪ Nominal Size 38	231
HH 51	Screw-to-Connect Couplings	Series HH 51 ▪ BG 14 ▪ Nominal Size 51	232
HH Dust Protection	Screw-to-Connect Couplings	Series HH ▪ Dust Protection	233
HH 10-VA	Screw-to-Connect Couplings	Series HH 10-VA ▪ BG 2 ▪ Nominal Size 10	238
HH 12-VA	Screw-to-Connect Couplings	Series HH 12-VA ▪ BG 3 ▪ Nominal Size 12,5	239
HH 19-VA	Screw-to-Connect Couplings	Series HH 19-VA ▪ BG 6 ▪ Nominal Size 19	240
HH 25-VA	Screw-to-Connect Couplings	Series HH 25-VA ▪ BG 8 ▪ Nominal Size 25	241
HH 31-VA	Screw-to-Connect Couplings	Series HH 31-VA ▪ BG 10 ▪ Nominal Size 31	242
HH 38-VA	Screw-to-Connect Couplings	Series HH 38-VA ▪ BG 12 ▪ Nominal Size 38	243
HH 51-VA	Screw-to-Connect Couplings	Series HH 51-VA ▪ BG 14 ▪ Nominal Size 51	244
HH-VA Dust Protection	Screw-to-Connect Couplings	Series HH-VA ▪ Dust Protection	245



## Product-Specific Abbreviations

Abbreviation	Product Category	Product Description	Page
FT 10	Screw-to-Connect Couplings	Series FT 10 ▪ BG 2 ▪ Nominal Size 10	250
FT 12	Screw-to-Connect Couplings	Series FT 12 ▪ BG 3 ▪ Nominal Size 12	251
FT 16	Screw-to-Connect Couplings	Series FT 16 ▪ BG 4 ▪ Nominal Size 16	252
FT 19	Screw-to-Connect Couplings	Series FT 19 ▪ BG 6 ▪ Nominal Size 19	253
FT 25	Screw-to-Connect Couplings	Series FT 25 ▪ BG 8 ▪ Nominal Size 25	254
FT 32	Screw-to-Connect Couplings	Series FT 32 ▪ BG 10 ▪ Nominal Size 32	255
<b>FT Dust Protection</b>	Screw-to-Connect Couplings	Series FT ▪ Dust Protection	256
RH 08	Screw-to-Connect Couplings	Series RH 08 ▪ BG 2 ▪ Nominal Size 10	260
RH 12	Screw-to-Connect Couplings	Series RH 12 ▪ BG 3 ▪ Nominal Size 12,5	261
RH 12	Screw-to-Connect Couplings	Series RH 12 ▪ BG 4 ▪ Nominal Size 16	262
RK 20	Screw-to-Connect Couplings	Series RK 20 ▪ BG 6 ▪ Nominal Size 20	263
RH 25	Screw-to-Connect Couplings	Series RH 25 ▪ BG 8 ▪ Nominal Size 25	264
<b>RH/RK Dust Protection</b>	Screw-to-Connect Couplings	Series RH/RK ▪ Dust Protection	265
PS 32	Screw-to-Connect Couplings	Series PS 32 ▪ BG 10 ▪ Nominal Size 32	269
<b>PS Dust Protection</b>	Screw-to-Connect Couplings	Series PS ▪ Dust Protection	270
HR 10	Screw-to-Connect Couplings	Series HR 10 ▪ BG 2 ▪ Nominal Size 10	274
HR 12	Screw-to-Connect Couplings	Series HR 12 ▪ BG 3 ▪ Nominal Size 12,5	275
HR 19	Screw-to-Connect Couplings	Series HR 19 ▪ BG 6 ▪ Nominal Size 19	276
HR 25	Screw-to-Connect Couplings	Series HR 25 ▪ BG 8 ▪ Nominal Size 25	277
HR 31	Screw-to-Connect Couplings	Series HR 31 ▪ BG 10 ▪ Nominal Size 31	278
HR 38	Screw-to-Connect Couplings	Series HR 38 ▪ BG 12 ▪ Nominal Size 38	279
<b>HR Dust Protection</b>	Screw-to-Connect Couplings	Series HR ▪ Dust Protection	280
KN 06	Plastic Construction Couplings	Series KN 06 ▪ BG 1 ▪ Nominal Size 6,3 ▪ with Valve	285
KN 06	Plastic Construction Couplings	Series KN 06 ▪ BG 1 ▪ Nominal Size 6,3 ▪ without Valve	286





## Global Contact Directory

STAUFF products and services are globally available through wholly-owned subsidiaries and a tight network of authorised distributors and representatives in all major industrial regions of the world.

Contact information on this page may be subject to changes and additions over time. Frequently updated and complete contact information can always be found at [www.stauff.com](http://www.stauff.com).

### Germany



**Walter Stauffenberg GmbH & Co. KG**  
Im Ehrenfeld 4  
58791 Werdohl  
Tel.: +49 2392 91 60  
Fax: +49 2392 91 61 60  
E-Mail: [sales@stauff.com](mailto:sales@stauff.com)  
[www.stauff.com](http://www.stauff.com)



Neuenrade-Küntrop Logistics Centre  
Wasserburgstraße 35  
58809 Neuenrade



Plettenberg-Ohle Production Site  
Lennastraße 2  
58840 Plettenberg



**VOSWINKEL GmbH**  
Neugrünenthal  
58540 Meinerzhagen  
Tel.: +49 2354 70 50  
Fax: +49 2354 70 51 50  
E-Mail: [info@voswinkel.net](mailto:info@voswinkel.net)  
[www.voswinkel.net](http://www.voswinkel.net)

### Europe

#### France

**STAUFF S.A.S.**  
230, Avenue du Grain d'Or  
Z.I. de Vineuil - Blois Sud  
41354 Vineuil-cedex  
Tel.: +33 2 54 50 55 50  
Fax: +33 2 54 42 29 19  
E-Mail: [direction@stauffsa.com](mailto:direction@stauffsa.com)  
[www.stauff.fr](http://www.stauff.fr)

#### Ireland

**STAUFF UK Ltd.**  
Block B, 9 Ferguson Drive  
Knockmore Hill Industrial Estate  
Lisburn, County Antrim, BT28 2EX  
Tel.: +44 2892 60 69 00  
Fax: +44 2892 60 26 88  
E-Mail: [sales@stauffireland.com](mailto:sales@stauffireland.com)  
[www.stauff.co.uk](http://www.stauff.co.uk)

#### Italy

**STAUFF Italia s.r.l**  
Via Borima 21 (Frazione Borima)  
23867 Suello (LC)  
Tel.: +39 031 65 84 94  
Fax: +39 031 65 50 05  
E-Mail: [sales@stauff.it](mailto:sales@stauff.it)  
[www.stauff.it](http://www.stauff.it)

#### Poland

**STAUFF Polska Sp. z o.o.**  
Miszewko 43 A  
80-297 Banino  
Tel.: +48 58 660 11 60  
Fax: +48 58 629 79 52  
E-Mail: [sales@stauff.pl](mailto:sales@stauff.pl)  
[www.stauff.pl](http://www.stauff.pl)

#### Russian Federation

**STAUFF LLC**  
Building 1  
19, Leninskaya Sloboda  
Moscow, 115280  
Tel.: +7 495 276 16 50  
Fax: +7 495 276 16 51  
E-Mail: [sales@stauff.ru](mailto:sales@stauff.ru)  
[www.stauff.ru](http://www.stauff.ru)

#### United Kingdom

**STAUFF UK Ltd.**  
500, Carlisle Street East  
Off Downgate Drive  
Sheffield, S4 8BS  
Tel.: +44 114 251 85 18  
Fax: +44 114 251 85 19  
E-Mail: [sales@stauff.co.uk](mailto:sales@stauff.co.uk)  
[www.stauff.co.uk](http://www.stauff.co.uk)

**STAUFF UK Ltd.**  
Badentoy Avenue  
Badentoy Industrial Estate  
Portlethen, Aberdeen, AB12 4YB  
Tel.: +44 1224 78 61 66  
Fax: +44 1224 78 61 77  
E-Mail: [sales@stauffscotland.co.uk](mailto:sales@stauffscotland.co.uk)  
[www.stauff.co.uk](http://www.stauff.co.uk)

**STAUFF UK Ltd.**  
Unit 9, Southampton Trade Park  
Third Avenue, Millbrook  
Southampton, SO15 0AD  
Tel.: +44 2380 69 87 00  
Fax: +44 2380 69 87 01  
E-Mail: [sales@stauffsouthampton.co.uk](mailto:sales@stauffsouthampton.co.uk)  
[www.stauff.co.uk](http://www.stauff.co.uk)

Further branch offices in  
Engels, Volzhskiy, Magnitogorsk,  
Nizhny Novgorod and St. Petersburg.

### North America

#### Canada

**STAUFF Canada Ltd.**  
866 Milner Avenue  
Scarborough  
Ontario M1B 5N7  
Tel.: +1 416 282 46 08  
Fax: +1 416 282 30 39  
E-Mail: [sales@stauffcanada.com](mailto:sales@stauffcanada.com)  
[www.stauffcanada.com](http://www.stauffcanada.com)

#### United States

**STAUFF Corporation**  
7 Wm. Demarest Place  
Waldwick, 07463-1542  
New Jersey  
Tel.: +1 201 444 78 00  
Fax: +1 201 444 78 52  
E-Mail: [sales@stauffusa.com](mailto:sales@stauffusa.com)  
[www.stauffusa.com](http://www.stauffusa.com)

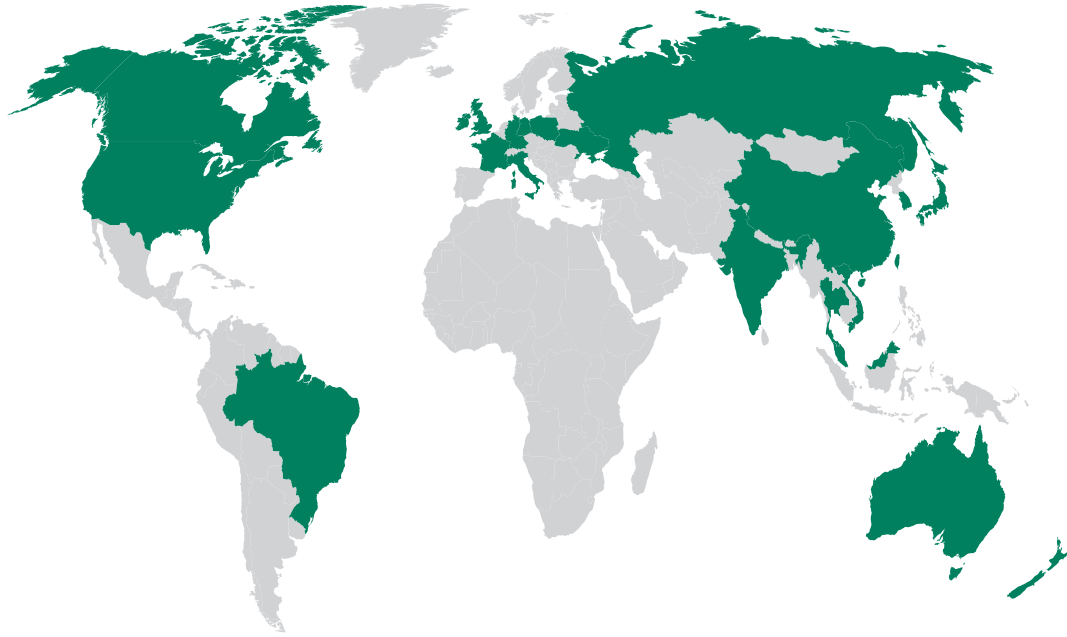
Further branch office in  
Canton, Michigan.

### South America

#### Brazil

**STAUFF Brasil Ltda.**  
Avenida Gupê 10767  
Galpão 2 - Bloco A  
Barueri, São Paulo, CEP 06422-120  
Tel.: +55 11 47 72 72 00  
Fax: +55 11 47 72 72 10  
E-Mail: [stauff@stauffbrasil.com](mailto:stauff@stauffbrasil.com)  
[www.stauffbrasil.com](http://www.stauffbrasil.com)





## Asia

### China

#### STAUFF CHINA

Building 1, No. 128, Die Qiao Road  
Jushuo Industrial Zone, Kang Qiao  
Shanghai, 201319  
Tel.: +86 21 68 18 70 00  
Fax: +86 21 68 18 71 36  
E-Mail: [info@stauff.com.cn](mailto:info@stauff.com.cn)  
[www.stauff.com.cn](http://www.stauff.com.cn)

Further branch offices in Beijing,  
Changsha, Chengdu, Changchun,  
Chongqing, Jinan, Harbin, Guangzhou,  
Shenyang, Wuhan, Xian and Xuzhou.

### India

#### STAUFF India Pvt. Ltd.

Gat no. 26/1 & 27, Sanghar Warehousing  
Pune - Nagar Road  
Lonikand - 412216  
Tel.: +91 20 6731 4900  
Fax: +91 20 6731 4905  
E-Mail: [sales@stauffindia.com](mailto:sales@stauffindia.com)  
[www.stauffindia.com](http://www.stauffindia.com)

### Korea

#### STAUFF Korea Ltd.

105, Hwajeonsandan 5-ro  
Gangseo-gu  
Busan, 46739  
Tel.: +82 51 266 6666  
Fax: +82 51 266 8866  
E-Mail: [info@stauff.co.kr](mailto:info@stauff.co.kr)  
[www.stauff.co.kr](http://www.stauff.co.kr)

### Malaysia

#### STAUFF South East Asia Sdn Bhd

No. 8, Jalan SS13/6A  
Subang Jaya Industrial Estate  
47500 Subang Jaya  
Tel.: +60 3 5637 78 88  
Fax: +60 3 5636 78 90  
E-Mail: [sales@stauff.com.my](mailto:sales@stauff.com.my)  
[www.stauff.com.my](http://www.stauff.com.my)

### Thailand

#### STAUFF (Thailand) Co., Ltd.

10 Soi On-Nut 74/4  
Pravet District  
Bangkok 10250  
Tel.: +66 2 721 73 23 / 24  
Fax: +66 2 721 73 35  
E-Mail: [sales@stauff.co.th](mailto:sales@stauff.co.th)  
[www.stauff.co.th](http://www.stauff.co.th)

### Vietnam

#### STAUFF Vietnam Ltd.

2nd Floor, CT-IN Building  
#435 Hoang Van Thu Street  
Tan Binh District, Ho Chi Minh City  
Tel.: +84 8 3948 10 41 / 42  
Fax: +84 8 3948 10 44  
E-Mail: [sales@stauff.com.vn](mailto:sales@stauff.com.vn)  
[www.stauff.com.vn](http://www.stauff.com.vn)

## Oceania

### Australia

#### STAUFF Corporation Pty Ltd

24-26 Doyle Avenue  
Unanderra NSW 2526  
Tel.: +61 2 4271 9000  
Fax: +61 2 4271 8432  
E-Mail: [sales@stauff.com.au](mailto:sales@stauff.com.au)  
[www.stauff.com.au](http://www.stauff.com.au)

Further branch offices in  
Adelaide, Brisbane, Melbourne  
and Sydney.

### New Zealand

#### STAUFF Corporation (NZ) Ltd.

Unit D, 103 Harris Road  
East Tamaki, Auckland 2013  
Tel.: +64 9 271 48 12  
Fax: +64 9 271 48 32  
E-Mail: [sales@stauff.co.nz](mailto:sales@stauff.co.nz)  
[www.stauff.co.nz](http://www.stauff.co.nz)



## Introduction

Push-to-Connect Couplings • HP Series

Push-to-Connect Couplings • UX Series

Push-to-Connect Couplings • IA Series

Push-to-Connect Couplings • IA-VA Series

Push-to-Connect Couplings • ID Series

Push-to-Connect Couplings • HG Series

Push-to-Connect Couplings • IB Series

Push-to-Connect Couplings • IB-MS Series

Push-to-Connect Couplings • IB-VA Series

Push-to-Connect Couplings • FF/FX/FH/FU Series

Push-to-Connect Couplings • FH-VA Series

Push-to-Connect Couplings • FO-VA Series

Push-to-Connect Couplings • BP Series

Push-to-Connect Couplings • HC Series

Push-to-Connect Couplings • HD Series

Multi Couplings • MK Series

Screw-to-Connect Couplings • HS Series

Screw-to-Connect Couplings • HS-VA Series

Screw-to-Connect Couplings • HT Series

Screw-to-Connect Couplings • HM Series

Screw-to-Connect Couplings • HV Series

Screw-to-Connect Couplings • HI Series

Screw-to-Connect Couplings • HJ Series

Screw-to-Connect Couplings • HB Series

Screw-to-Connect Couplings • HH Series

Screw-to-Connect Couplings • HH-VA Series

Screw-to-Connect Couplings • FT Series

Screw-to-Connect Couplings • RH/RK Series

Screw-to-Connect Couplings • PS Series

Screw-to-Connect Couplings • HR Series

Plastic Construction Couplings • KN Series

Special Applications

Spare Parts / Accessories

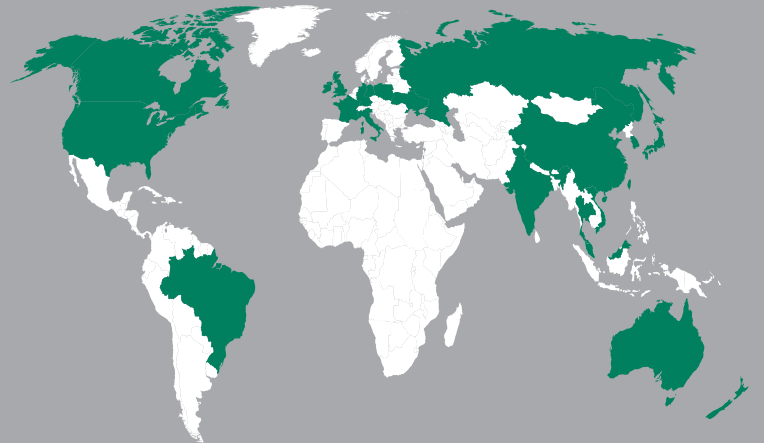
Technical Appendix

Appendix



## Catalogue 5

### VOSWINKEL Quick Release Couplings



#### Germany

##### Walter Stauffenberg GmbH & Co. KG

Im Ehrenfeld 4  
58791 Werdohl  
Tel.: +49 2392 91 60  
Fax: +49 2392 91 61 60  
E-Mail: sales@stauff.com

##### Voswinkel GmbH

Neugrünenthal  
58540 Meinerzhagen  
Tel.: +49 2354 70 50  
Fax: +49 2354 70 51 50  
E-Mail: info@voswinkel.net

STAUFF and VOSWINKEL products and services are globally available through wholly-owned subsidiaries and a tight network of authorised distributors and representatives in all major industrial regions of the world.

You can find detailed contact information on the last two pages of this product catalogue or at

[www.stauff.com](http://www.stauff.com)